

MODLINK MSDD FRAME SINGLE METALIC

Closure 3 mm double bit incl. pluggable knob

Art.No.: 4000-68513-0000001

Weight: 0.087 kg

Country of origin: DE

Model designation: Rahmenmodul 1-fach metallic 3mm Doppelb.

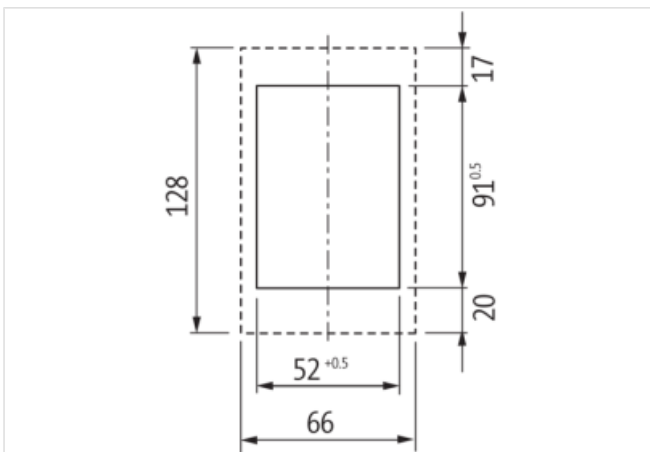
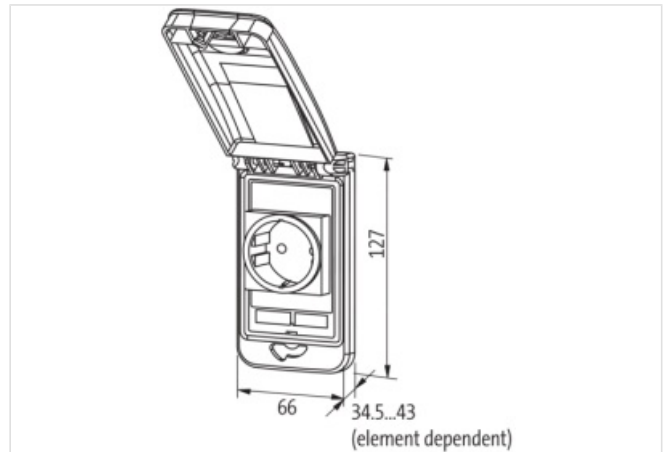
Frame: plastic PA black

Lid: plastic, ABS metallic

Closure: 3 mm double bit
with attachable rotation knob

[Link to Product](#)

Illustration



Product may differ from Image

Header

Material short text Rahmenmodul 1-fach metallic 3mm Doppelb.

Commercial data

URL Webshop	https://shop.murrelektronik.com/4000-68513-0000001
GTIN	4048879368834
ECLASS-6.0	27189217
ECLASS-6.1	27189260
ECLASS-7.0	27189260

ECLASS-7.1	27189260
ECLASS-8.0	27189260
ECLASS-8.1	27189260
ECLASS-9.0	27182810
ECLASS-9.1	27189260
ECLASS-10.0.1	27182810
ECLASS-10.1	27182810
ECLASS-11.0	27182810
ECLASS-11.1	27182810
ECLASS-12.0	27182810
ECLASS-13.0	27182810
ECLASS-14.0	27182810
ETIM-5.0	EC002625
ETIM-6.0	EC002625
ETIM-7.0	EC002625
ETIM-8.0	EC002625
customs tariff number	85389099
EAN	4048879368834
Packaging unit	1

Device protection | Electrical

Degree of protection (EN IEC 60529)	IP65
-------------------------------------	------

Mechanical data | Material data

Material housing	PA
Color housing	black
Material lid	ABS
Color cover	metallic

Mechanical data | Mounting data

Height	127 mm
Width	66 mm
Depth	43 mm
Suitable for installation wall thickness min.	1 mm
Suitable for installation wall thickness max.	5 mm

Environmental characteristics | Climatic

Operating temperature min.	-30 °C
Operating temperature max.	70 °C
Ambient temperature (storage, transport)	-30 °C ... 80 °C

Frame

Material housing	PA
Color housing	black
Material lid	ABS
Color cover	metallic
Suitable for installation wall thickness min.	1 mm
Suitable for installation wall thickness max.	5 mm
Degree of protection (EN IEC 60529)	IP65
Operating temperature min.	-30 °C
Operating temperature max.	70 °C
Storage temperature min.	-30 °C