

**EOL - Modlink MSDD-set:**

discontinued - End of Life Date: 2024-12-31

Art.No.: 4000-68213-0310000

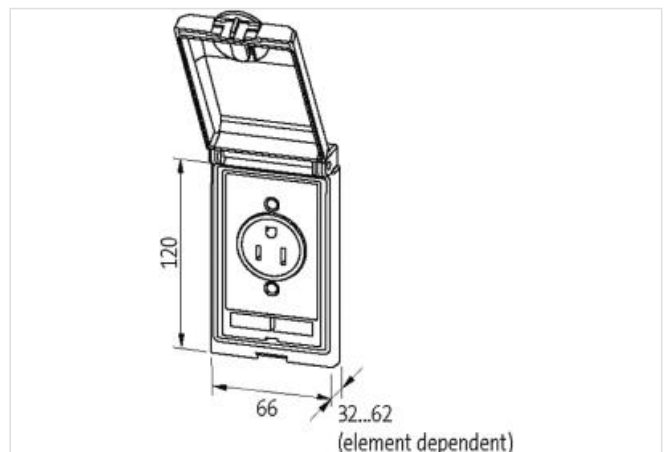
Weight: 0.210 kg

Country of origin: DE

Model designation: X MSDD\_1MVIPK\_9BU+15BU\_

**Link to Product**

**Illustration**



Product may differ from Image



**Commercial data**

ECLASS-6.0	27189217
ECLASS-6.1	27189217
ECLASS-7.0	27189217
ECLASS-8.0	27189217
ECLASS-9.0	27182806
ECLASS-10.1	27182806

The information in this Product-PDF has been compiled with the utmost care. Liability for the correctness completeness and topicality of the information is restricted to gross negligence. Version: 2026-02-10

ECLASS-11.1	27182806
ECLASS-12.0	27182806
ETIM-5.0	EC002625
ETIM-6.0	EC002625
ETIM-7.0	EC002625
ETIM-8.0	EC002625
customs tariff number	85366990
customs tariff number	85366990
customs tariff number	85366990
customs tariff number	85366990
EAN	4048879327046
EAN	4048879327046
EAN	4048879327046
EAN	4048879327046
Packaging unit	1
Packaging unit	1
Packaging unit	1
Packaging unit	1

**Frame**

Degree of protection (EN IEC 60529)	IP65
Operating temperature min.	-10 °C
Operating temperature max.	60 °C
Storage temperature min.	-25 °C
Storage temperature max.	60 °C
Suitable for installation wall thickness min.	1 mm
Suitable for installation wall thickness max.	5 mm
Material housing	Fine zinc die casting
Coating housing	surface finished
Material lid	PC
Color cover	transparent

**SUB-D9**

Operating voltage AC	48 V
Operating voltage DC	48 V
Operating voltage AC max. (UL-listed)	30 V
Operating voltage DC max. (UL-listed)	42,4 V
Operating current	3 A
Current operating max. (UL)	175 mA
Family construction form	SUB-D9
Family type Back side	SUB-D9
Gender	female
Gender Rear	Solder connection
Looking techniques	Standard UNC 4-40 screw thread bolt (EN 60807)
No. of poles	9

**SUB-D15**

Operating voltage AC max. (UL-listed)	30 V
Operating voltage DC max. (UL-listed)	42,4 V
Current operating max. (UL)	175 mA
Family construction form	SUB-D15
Family type Back side	SUB-D15
Gender	female
Gender Rear	Solder connection
Looking techniques	Standard UNC 4-40 screw thread bolt (EN 60807)

No. of poles

15