

Modlink MSDD-set: Frame 4000-68213-0000000,

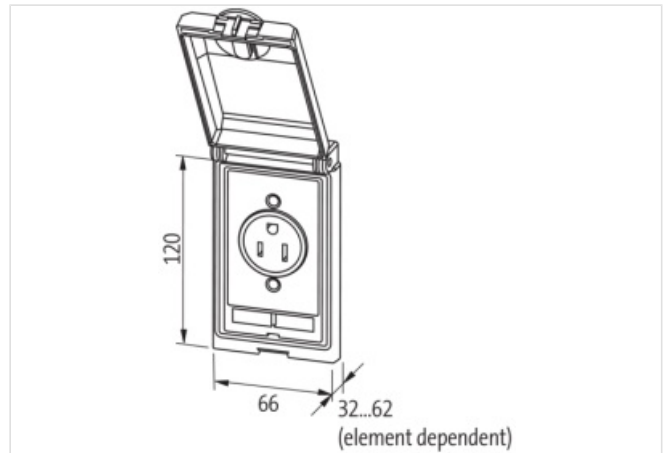
insert 4000-68000-0020000

Art.No.: 4000-68213-0020000

Weight: 0.290 kg

Country of origin: BE

Model designation: MSDD_1MVIPK_VDE GELB_

Link to Product**Illustration**

Product may differ from Image

Header

Material short text MSDD_1MVIPK_VDE GELB_

Commercial data

| | |
|-------------|---|
| URL Webshop | https://shop.murrelektronik.com/4000-68213-0020000 |
| GTIN | 4048879033541 |
| ECLASS-6.0 | 27189217 |
| ECLASS-6.1 | 27189217 |
| ECLASS-7.0 | 27189217 |
| ECLASS-7.1 | 27189217 |
| ECLASS-8.0 | 27189217 |
| ECLASS-8.1 | 27189217 |
| ECLASS-9.0 | 27182806 |

| | |
|-----------------------|---------------|
| ECLASS-9.1 | 27189217 |
| ECLASS-10.0.1 | 27182806 |
| ECLASS-10.1 | 27182806 |
| ECLASS-11.0 | 27182806 |
| ECLASS-11.1 | 27182806 |
| ECLASS-12.0 | 27182806 |
| ECLASS-13.0 | 27182806 |
| ECLASS-14.0 | 27182806 |
| ETIM-5.0 | EC002625 |
| ETIM-6.0 | EC002625 |
| ETIM-7.0 | EC002625 |
| ETIM-8.0 | EC002625 |
| customs tariff number | 85366990 |
| EAN | 4048879033541 |
| Packaging unit | 1 |

Frame

| | |
|---|-----------------------|
| Material housing | Fine zinc die casting |
| Material lid | PC |
| Coating housing | surface finished |
| Color cover | transparent |
| Suitable for installation wall thickness min. | 1 mm |
| Suitable for installation wall thickness max. | 5 mm |
| Degree of protection (EN IEC 60529) | IP65 |
| Operating temperature min. | -10 °C |
| Operating temperature max. | 60 °C |
| Storage temperature min. | -25 °C |

Germany (VDE)

| | |
|-------------------------------|--------------------|
| Connection | Screw terminals SK |
| No. of poles | PE |
| Connections per pole | 2 |
| Protection contact present | Yes |
| Connection cross section max. | 6 mm ² |
| AWG number max. | 10 |
| Operating voltage AC | 250 V |
| Operating current | 16 A |