

Modlink MSDD-set: Frame 4000-68112-0000000,

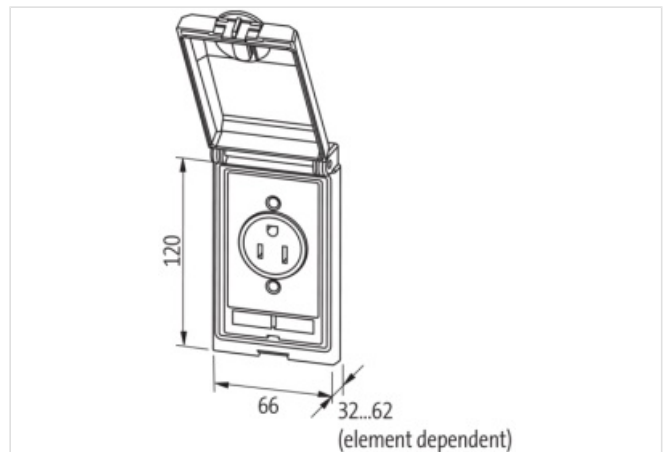
insert 4000-68000-0050000

Art.No.: 4000-68112-0050000

Weight: 0.415 kg

Country of origin: BE

Model designation: MSDD_1SW_UTE MIT LED_

Link to Product**Illustration**

Product may differ from Image

Header

Material short text MSDD_1SW_UTE MIT LED_

Commercial data

URL Webshop	https://shop.murrelektronik.com/4000-68112-0050000
GTIN	4048879036603
ECLASS-6.0	27189217
ECLASS-6.1	27189217
ECLASS-7.0	27189217
ECLASS-7.1	27189217
ECLASS-8.0	27189217
ECLASS-8.1	27189217
ECLASS-9.0	27182806

ECLASS-9.1	27189217
ECLASS-10.0.1	27182806
ECLASS-10.1	27182806
ECLASS-11.0	27182806
ECLASS-11.1	27182806
ECLASS-12.0	27182806
ECLASS-13.0	27182806
ECLASS-14.0	27182806
ETIM-5.0	EC002625
ETIM-6.0	EC002625
ETIM-7.0	EC002625
ETIM-8.0	EC002625
customs tariff number	85366990
EAN	4048879036603
Packaging unit	1
customs tariff number	85366990
EAN	4048879036603
Packaging unit	1

Frame

Material housing	Fine zinc die casting
Coating housing	KTL
Suitable for installation wall thickness min.	1 mm
Suitable for installation wall thickness max.	5 mm
Degree of protection (EN IEC 60529)	IP65
Operating temperature min.	-10 °C
Operating temperature max.	60 °C
Storage temperature min.	-25 °C

France (UTE-NF)

Connection	Screw terminals SK
No. of poles	PE
Connections per pole	2
Protection contact present	Yes
Connection cross section max.	6 mm ²
AWG number max.	10
Operating voltage AC	250 V
Operating current	16 A
Status indication LED	yellow