



IO-Link adapter element, black, for 5 signaling elements, 24 V DC, diameter 70 mm

<b>product designation</b>	IO-Link adapter element
<b>General technical data</b>	
<b>material</b>	PC
<b>color</b>	black
<b>outer diameter of the signal column element</b>	70 mm
<b>degree of pollution</b>	3
consumed current maximum	6 mA
<b>protection class IP</b>	IP65
<b>reference code according to IEC 81346-2</b>	B
<b>Substance Prohibition (day/month/year)</b>	07/01/2006
<b>SVHC substance name</b>	Lead CAS-No. 7439-92-1
<b>Net Weight</b>	0.081 kg
<b>type of voltage of the operating voltage</b>	DC
operating voltage 1 at DC rated value	24 V
<b>relative positive tolerance of the operating voltage</b>	10 %
<b>relative negative tolerance of the operating voltage</b>	-15 %
<b>Communication/ Protocol</b>	
<b>protocol is supported</b>	Yes
• IO-Link protocol	Yes
<b>IO-Link transfer rate</b>	COM2 (38,4 kBaud)
<b>point-to-point cycle time between master and IO-Link device minimum</b>	10 ms
<b>type of voltage supply via input/output link master</b>	Yes
<b>data volume</b>	
• of the address range of the inputs with cyclical transfer total	3 byte
• of the address range of the outputs with cyclical transfer total	1 byte
<b>Inputs/ Outputs</b>	
<b>number of digital inputs/outputs</b>	0
<b>number of digital inputs</b>	0
• safety-related	0
<b>Safety related data</b>	
<b>MTTFd</b>	1 837 a
<b>Ambient conditions</b>	
ambient temperature during operation	-20 ... +50 °C
<b>Installation/ mounting/ dimensions</b>	
<b>fastening method</b>	Bayonet
<b>height</b>	66 mm

Approvals Certificates

Environment

General Product Approval

[Environmental Confirmations](#)



[Confirmation](#)



General Product Approval

other



[Confirmation](#)

[Confirmation](#)



Further information

Information on the packaging

<https://support.industry.siemens.com/cs/ww/en/view/109813875>

Information for data generation and storage

<https://support.industry.siemens.com/cs/ww/en/view/109995012>

Information- and Downloadcenter (Catalogs, Brochures,...)

<https://www.siemens.com/ic10>

Industry Mall (Online ordering system)

<https://mall.industry.siemens.com/mall/en/en/Catalog/product?mlfb=8WD4428-0BF>

Cax online generator

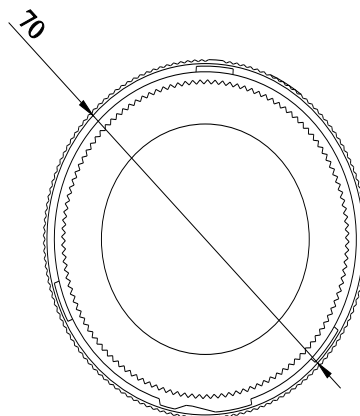
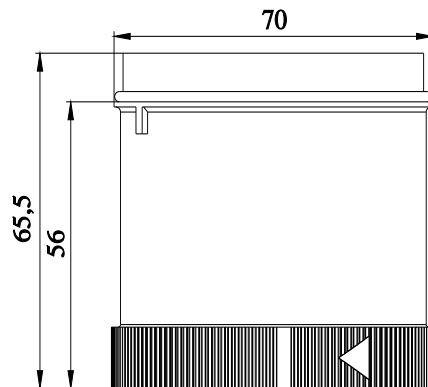
<https://support.automation.siemens.com/WW/CAXorder/default.aspx?lang=en&mlfb=8WD4428-0BF>

Service&Support (Manuals, Certificates, Characteristics, FAQs,...)

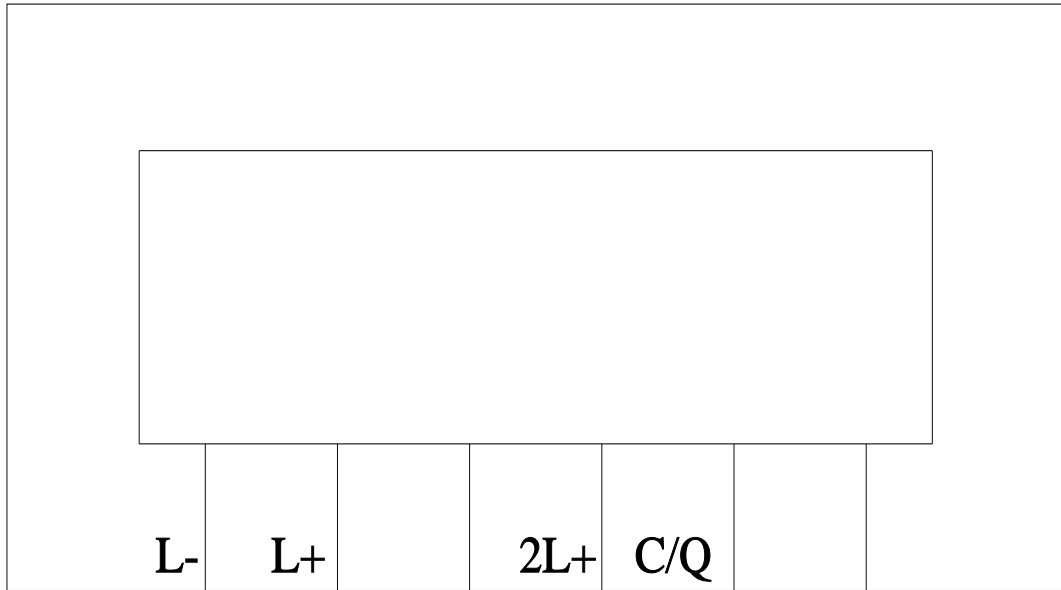
<https://support.industry.siemens.com/cs/ww/en/ps/8WD4428-0BF>

Image database (product images, 2D dimension drawings, 3D models, device circuit diagrams, EPLAN macros, ...)

[https://www.automation.siemens.com/bilddb/cax\\_de.aspx?mlfb=8WD4428-0BF&lang=en](https://www.automation.siemens.com/bilddb/cax_de.aspx?mlfb=8WD4428-0BF&lang=en)



**-B**



---

last modified:

4/1/2025