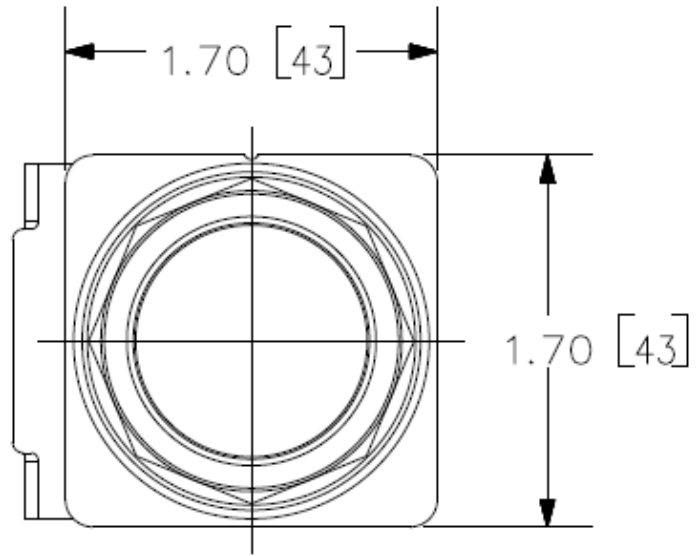


30mm Command/52, Chrome Finish Heavy Duty, Watertight/Oiltight Complete Metal Unit Illuminated Indicator Light Full Voltage type, 24V AC/DC Incandescent Lamp, BA9s Glass Lens, Red UL Listed, CSA Certified NEMA 1,3,3R,4,4X,12,13 & Automotive Standards

product brand name	Siemens Pilot Devices
design of the product	Complete Unit, Round
<b>Enclosure</b>	
number of command points	1
delivery state as a kit	No
<b>Actuator</b>	
design of the actuating element	Indicator Light
product extension optional light source	Yes
color of the actuating element	red
material of the actuating element	glass
shape of the actuating element	Concentric rings
<b>Front ring</b>	
product component front ring	Yes
design of the front ring	Standard
material of the front ring	metal
color of the front ring	chrome
<b>Holder</b>	
material of the holder	metal
<b>Contact block/ lampholder</b>	
socket design	BA 9s, with incandescent lamp
number of lampholders	1
<b>Display</b>	
number of LED modules	0
<b>General technical data</b>	
product component	
• lamp transformer	No
• light source	Yes
degree of pollution	1
type of voltage	
• of the operating voltage	AC/DC
• of the input voltage	AC/DC
surge voltage resistance rated value	4 kV
protection class IP	IP66
protection class IP of the terminal	IP20
vibration resistance according to IEC 60068-2-6	0 ... 2000 Hz, 1.52 mm displacement (peak-to-peak) max./ 10 g max.
mechanical service life (operating cycles) typical	5
Net Weight	0.18 kg
operating voltage	
• at AC at 60 Hz rated value	24 ... 28 V

<ul style="list-style-type: none"> <li>• at DC rated value</li> </ul>	24 ... 28 V
<b>Supply voltage</b>	
type of voltage of the supply voltage of the light source	AC/DC
<b>supply voltage of the light source at AC at 60 Hz rated value</b> <ul style="list-style-type: none"> <li>•</li> </ul>	28 ... 24 V
<b>supply voltage of the light source at DC rated value</b> <ul style="list-style-type: none"> <li>•</li> </ul>	28 ... 24 V
<b>Connections/ Terminals</b>	
<b>type of electrical connection</b> <ul style="list-style-type: none"> <li>• of modules and accessories</li> </ul>	screw terminal screw-type terminals
type of connectable conductor cross-sections for AWG cables for auxiliary contacts	1x (18 ... 12), 2x (18 ... 16), 2x (16 ... 14), 2x 12
<b>tightening torque of the screws in the bracket maximum</b>	20 N·m
tightening torque [lbf·in] with screw-type terminals	8 lbf·in
<b>Lamp</b>	
<b>type of light source</b>	Incandescent
<b>color of the light source</b>	clear
<b>Electrical Safety</b>	
<b>touch protection against electrical shock</b>	finger safe
<b>Ambient conditions</b>	
<b>ambient temperature</b> <ul style="list-style-type: none"> <li>• during operation</li> <li>• during storage</li> </ul>	-35 ... +70 °C -40 ... +85 °C
<b>Installation/ mounting/ dimensions</b>	
<b>fastening method</b> <ul style="list-style-type: none"> <li>• of modules and accessories</li> </ul>	screw-mounting
<b>shape of the installation opening</b>	round
<b>Further information</b>	
<b>Information on the packaging</b> <a href="https://support.industry.siemens.com/cs/ww/en/view/109813875">https://support.industry.siemens.com/cs/ww/en/view/109813875</a>	
<b>Information for data generation and storage</b> <a href="https://support.industry.siemens.com/cs/ww/en/view/109995012">https://support.industry.siemens.com/cs/ww/en/view/109995012</a>	
<b>Information- and Downloadcenter (Catalogs, Brochures,...)</b> <a href="https://www.siemens.com/ic10">https://www.siemens.com/ic10</a>	
<b>Industry Mall (Online ordering system)</b> <a href="https://mall.industry.siemens.com/mall/en/en/Catalog/product?mlfb=US2:52PL5D2">https://mall.industry.siemens.com/mall/en/en/Catalog/product?mlfb=US2:52PL5D2</a>	
<b>Cax online generator</b> <a href="https://support.automation.siemens.com/WW/CAXorder/default.aspx?lang=en&amp;mlfb=US2:52PL5D2">https://support.automation.siemens.com/WW/CAXorder/default.aspx?lang=en&amp;mlfb=US2:52PL5D2</a>	
<b>Service&amp;Support (Manuals, Certificates, Characteristics, FAQs,...)</b> <a href="https://support.industry.siemens.com/cs/ww/en/ps/US2:52PL5D2">https://support.industry.siemens.com/cs/ww/en/ps/US2:52PL5D2</a>	
<b>Image database (product images, 2D dimension drawings, 3D models, device circuit diagrams, EPLAN macros, ...)</b> <a href="https://www.automation.siemens.com/bilddb/cax_de.aspx?mlfb=US2:52PL5D2&amp;lang=en">https://www.automation.siemens.com/bilddb/cax_de.aspx?mlfb=US2:52PL5D2&amp;lang=en</a>	



last modified:

4/6/2026 