



30mm BlackMax, Epoxy Coated Corrosion Resistant Complete Metal Unit
Illuminated Indicator Light Full Voltage type, 24V AC/DC Incandescent Lamp, BA9s
Less Lens UL Listed, CSA Certified NEMA 1,3,3R,4,4X,12,13 & Automotive
Standards

product brand name	Siemens Pilot Devices
design of the product	Complete Unit, Round
Enclosure	
number of command points	1
delivery state as a kit	No
Actuator	
design of the actuating element	Indicator Light
product extension optional light source	Yes
shape of the actuating element	Concentric rings
Front ring	
product component front ring	Yes
design of the front ring	Standard
material of the front ring	metal
color of the front ring	black
Holder	
material of the holder	metal
Contact block/ lampholder	
socket design	BA 9s, with incandescent lamp
number of lampholders	1
Display	
number of LED modules	0
General technical data	
product component	
• lamp transformer	No
• light source	Yes
degree of pollution	1
type of voltage	
• of the operating voltage	AC/DC
• of the input voltage	AC/DC
surge voltage resistance rated value	4 kV
protection class IP	IP66
protection class IP of the terminal	IP20
vibration resistance according to IEC 60068-2-6	0 ... 2000 Hz, 1.52 mm displacement (peak-to-peak) max./ 10 g max.
mechanical service life (operating cycles) typical	5
Net Weight	0.18 kg
operating voltage	
• at AC at 60 Hz rated value	24 ... 28 V
• at DC rated value	24 ... 28 V
Supply voltage	

type of voltage of the supply voltage of the light source	AC/DC
supply voltage of the light source at AC at 60 Hz rated value	28 ... 24 V
•	
supply voltage of the light source at DC rated value	28 ... 24 V
•	

Connections/ Terminals

type of electrical connection	screw terminal
• of modules and accessories	screw-type terminals
type of connectable conductor cross-sections for AWG cables for auxiliary contacts	1x (18 ... 12), 2x (18 ... 16), 2x (16 ... 14), 2x 12
tightening torque of the screws in the bracket maximum	20 N·m
tightening torque [lbf·in] with screw-type terminals	8 lbf·in

Lamp

type of light source	Incandescent
color of the light source	clear

Electrical Safety

touch protection against electrical shock	finger safe
--	-------------

Ambient conditions

ambient temperature	-35 ... +70 °C
• during operation	
• during storage	
	-40 ... +85 °C

Installation/ mounting/ dimensions

fastening method	screw-mounting
• of modules and accessories	
shape of the installation opening	round

Further information

Information on the packaging

<https://support.industry.siemens.com/cs/ww/en/view/109813875>

Information for data generation and storage

<https://support.industry.siemens.com/cs/ww/en/view/109995012>

Information- and Downloadcenter (Catalogs, Brochures,...)

<https://www.siemens.com/ic10>

Industry Mall (Online ordering system)

<https://mall.industry.siemens.com/mall/en/en/Catalog/product?mlfb=US2:52BL5DN>

Cax online generator

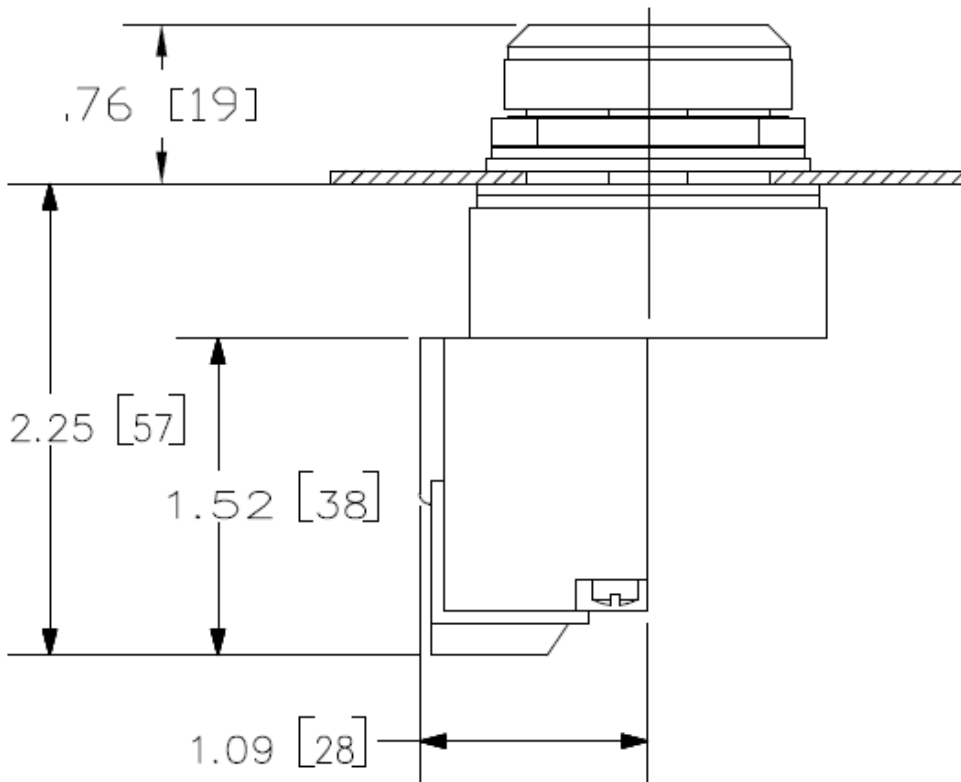
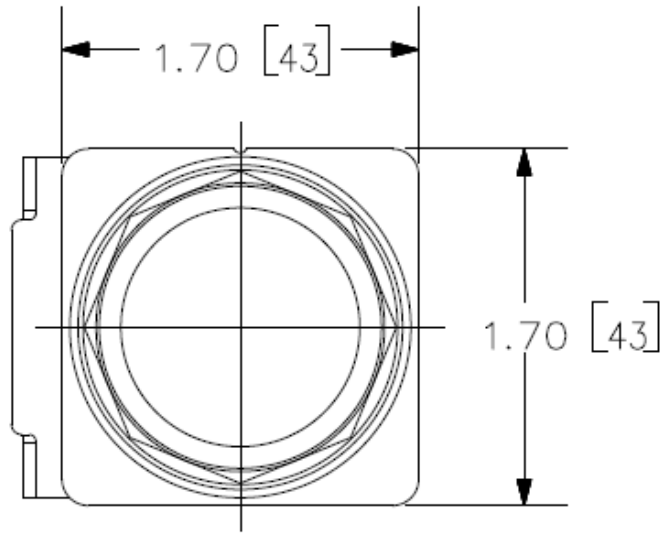
<https://support.automation.siemens.com/WW/CAXorder/default.aspx?lang=en&mlfb=US2:52BL5DN>

Service&Support (Manuals, Certificates, Characteristics, FAQs,...)

<https://support.industry.siemens.com/cs/ww/en/ps/US2:52BL5DN>

Image database (product images, 2D dimension drawings, 3D models, device circuit diagrams, EPLAN macros, ...)

https://www.automation.siemens.com/bilddb/cax_de.aspx?mlfb=US2:52BL5DN&lang=en



last modified:

4/6/2026 