



contact block rectangular small 25 x 33 mm, 1 NO+1 NC, 10 m cable

| | |
|---|-----------------------------------|
| product brand name | SIRIUS |
| product designation | Magnetically operated switch |
| design of the product | Rectangular sensor unit |
| product type designation | 3SE66 |
| suitability for use safety-related circuits | Yes |
| General technical data | |
| product function | |
| • positive opening | No |
| • cross-circuit/short-circuit recognition | Yes |
| type of voltage of the operating voltage | DC |
| protection class IP | IP67 |
| shock resistance according to IEC 60068-2-27 | Sinusoidal half-wave 30 g / 11 ms |
| vibration resistance according to IEC 60068-2-6 | 10 ... 55 Hz: 1 mm |
| Substance Prohibitance (day/month/year) | 07/01/2006 |
| Net Weight | 0.44 g |
| height of the sensor | 13 mm |
| length of the sensor | 33 mm |
| width of the sensor | 25 mm |
| material of the active sensor area | plastic |
| Ambient conditions | |
| ambient temperature during operation | -25 ... +70 °C |
| Control circuit/ Control | |
| type of voltage | DC |
| operating voltage rated value | 24 V |
| operational current rated value | 100 mA |
| operating power rated value | 1 W |
| number of NC contacts for auxiliary contacts | 1 |
| number of NO contacts for auxiliary contacts | 1 |
| Enclosure | |
| design of the housing | block |
| material of the enclosure | plastic |
| material of cable sheath | PVC |
| Actuator | |
| design of the actuating element | magnet |
| Display | |
| evaluation unit required | yes |
| Contact | |
| circuit principle | reed switches |
| switching frequency | 5 Hz |

| | | |
|---|---------------------------|-------------------|
| assured operating distance OFF | 14 mm | |
| assured operating distance ON | 4 mm | |
| design of the switching function | NC contact and NO contact | |
| Installation/ mounting/ dimensions | | |
| fastening method | screw fixing | |
| Connections/ Terminals | | |
| type of electrical connection | cable | |
| wire length | 10 m | |
| Inputs/ Outputs | | |
| type of switching output | Reed contacts | |
| Safety related data | | |
| category according to EN 954-1 | 4 | |
| ISO 13849 | | |
| performance level (PL) according to EN ISO 13849-1 | e | |
| IEC 61508 | | |
| Safety Integrity Level (SIL) according to IEC 61508 | 3 | |
| Approvals Certificates | | |
| General Product Approval | EMV | Functional Safety |



[Miscellaneous](#)

| | |
|-------|-------------|
| other | Environment |
|-------|-------------|

[Confirmation](#)

[Confirmation](#)



[Environmental Confirmations](#)

Further information

Information on the packaging

<https://support.industry.siemens.com/cs/ww/en/view/109813875>

Information for data generation and storage

<https://support.industry.siemens.com/cs/ww/en/view/109995012>

Information- and Downloadcenter (Catalogs, Brochures,...)

<https://www.siemens.com/ic10>

Industry Mall (Online ordering system)

<https://mall.industry.siemens.com/mall/en/en/Catalog/product?mlfb=3SE6605-3BA10>

Cax online generator

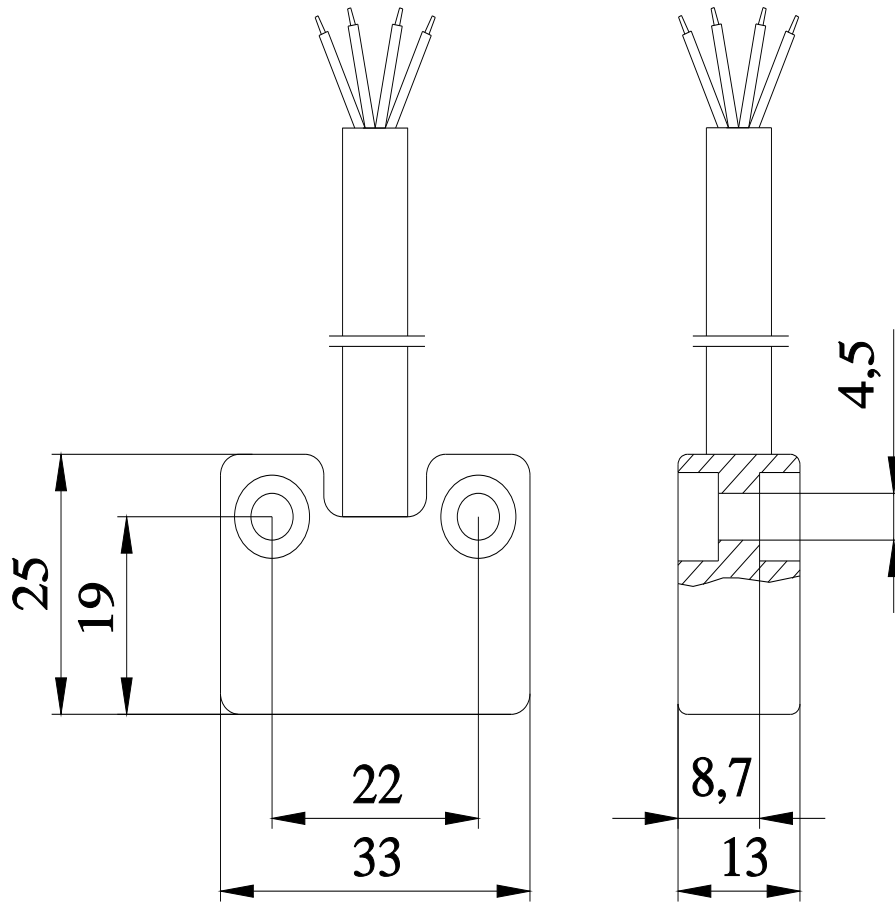
<https://support.automation.siemens.com/WW/CAXorder/default.aspx?lang=en&mlfb=3SE6605-3BA10>

Service&Support (Manuals, Certificates, Characteristics, FAQs,...)

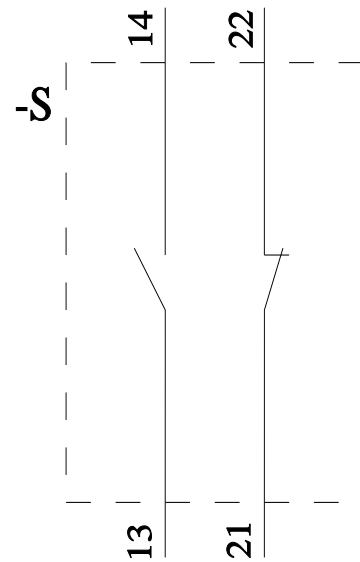
<https://support.industry.siemens.com/cs/ww/en/ps/3SE6605-3BA10>

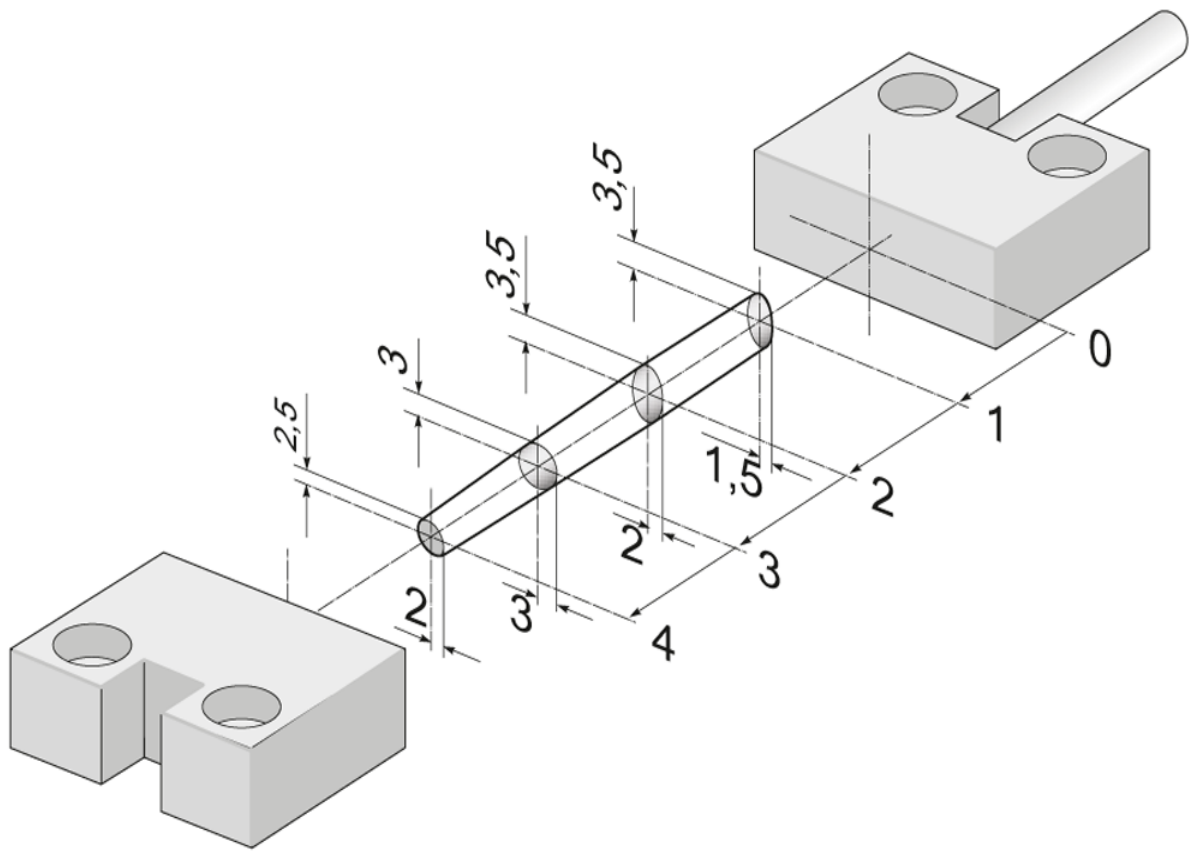
Image database (product images, 2D dimension drawings, 3D models, device circuit diagrams, EPLAN macros, ...)

https://www.automation.siemens.com/bilddb/cax_de.aspx?mlfb=3SE6605-3BA10&lang=en



| | | |
|-------------------|---|-----------|
| BK = Black | → | 13 |
| BU = Blue | → | 14 |
| WH = White | → | 21 |
| BN = Brown | → | 22 |





$$s_{a0} = 4 \text{ mm}$$

$$s_{ar} = 14 \text{ mm}$$

last modified:

4/4/2026 