



Contact block, 1 NO, with safety spring, flat connector terminal

<b>product brand name</b>	SIRIUS
<b>product designation</b>	contact block
<b>product type designation</b>	3SB2
<b>Contact block/ lampholder</b>	
<b>number of lampholders</b>	0
<b>General technical data</b>	
<b>product function positive opening</b>	No
<b>suitability for integration</b>	pushbutton / selector button
<b>type of voltage</b>	
• of the operating voltage	AC/DC
<b>protection class IP</b>	
• of the enclosure	IP40
• of the terminal	IP00
<b>vibration resistance according to IEC 60068-2-6</b>	20 ... 200 Hz: 5 g
<b>reference code according to IEC 81346-2</b>	S
<b>Substance Prohibition (Date)</b>	07/01/2006
<b>Net Weight</b>	4.1 g
<b>operating voltage</b>	
• at AC	
— at 50 Hz rated value	5 ... 230 V
— at 60 Hz rated value	5 ... 230 V
• at DC rated value	5 ... 230 V
<b>Auxiliary circuit</b>	
<b>number of NC contacts for auxiliary contacts</b>	1
<b>number of NO contacts for auxiliary contacts</b>	0
<b>number of CO contacts for auxiliary contacts</b>	0
<b>operational current at AC-12</b>	
• at 24 V rated value	10 A
• at 60 V rated value	10 A
• at 110 V rated value	10 A
• at 230 V rated value	10 A
<b>operational current at AC-15</b>	
• at 24 V rated value	4 A
• at 110 V rated value	4 A
• at 230 V rated value	4 A
<b>operational current at DC-12</b>	
• at 24 V rated value	6 A
• at 60 V rated value	5 A
• at 110 V rated value	2.5 A

<ul style="list-style-type: none"> <li>at 230 V rated value</li> </ul>	1 A
<b>operational current at DC-13</b>	
<ul style="list-style-type: none"> <li>at 24 V rated value</li> <li>at 60 V rated value</li> <li>at 110 V rated value</li> <li>at 230 V rated value</li> </ul>	3 A 1.2 A 0.7 A 0.3 A

### Connections/ Terminals

<b>type of electrical connection</b>	tab terminals
--------------------------------------	---------------

### Ambient conditions

<b>ambient temperature</b>	
<ul style="list-style-type: none"> <li>during operation</li> <li>during storage</li> </ul>	-25 ... +70 °C -40 ... +80 °C

### Installation/ mounting/ dimensions

<b>fastening method</b>	clip-on
<b>height</b>	19 mm
<b>width</b>	8 mm
<b>depth</b>	31 mm

### Approvals Certificates

<b>Environment</b>	General Product Approval
--------------------	--------------------------

[Environmental Con-  
firmations](#)



<b>General Product Ap- proval</b>	other
---------------------------------------	-------



[Confirmation](#)



### Further information

**Information on the packaging**

<https://support.industry.siemens.com/cs/ww/en/view/109813875>

**Information for data generation and storage**

<https://support.industry.siemens.com/cs/ww/en/view/109995012>

**Information- and Downloadcenter (Catalogs, Brochures,...)**

<https://www.siemens.com/ic10>

**Industry Mall (Online ordering system)**

<https://mall.industry.siemens.com/mall/en/en/Catalog/product?mlfb=3SB2404-0D>

**Cax online generator**

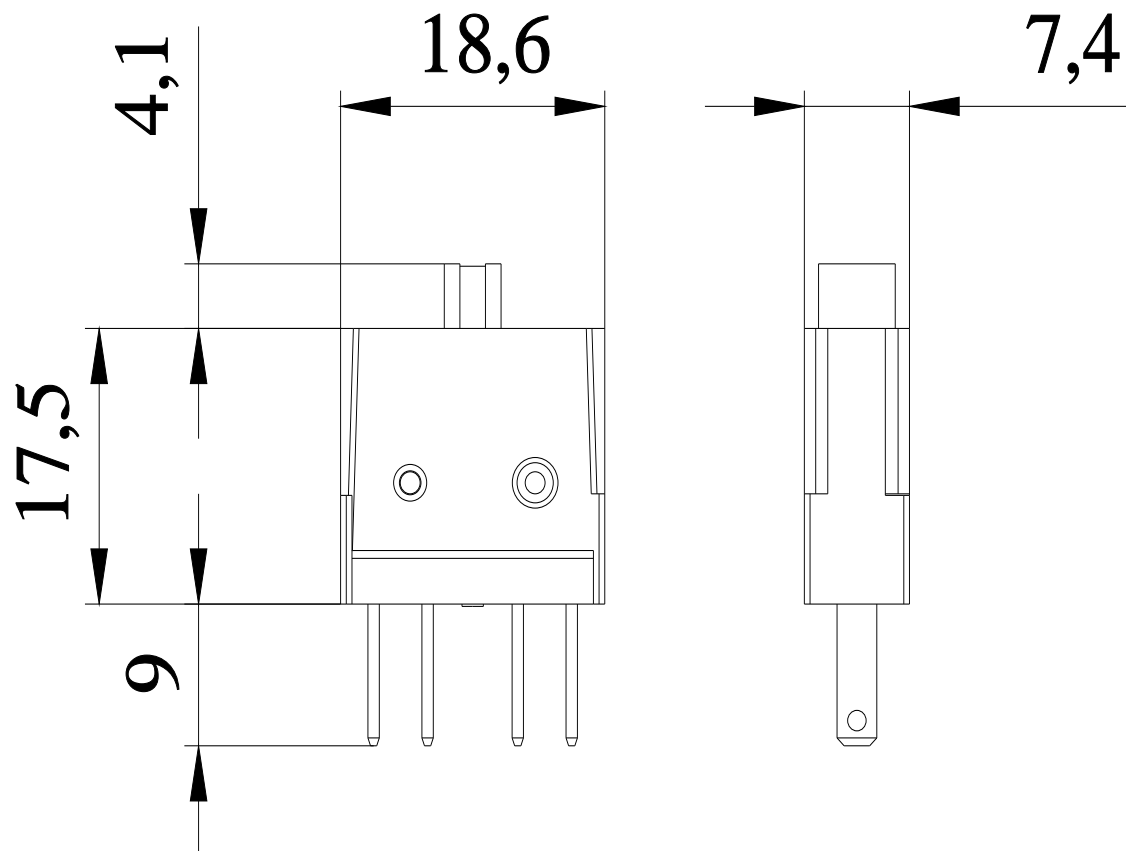
<https://support.automation.siemens.com/WW/CAXorder/default.aspx?lang=en&mlfb=3SB2404-0D>

**Service&Support (Manuals, Certificates, Characteristics, FAQs,...)**

<https://support.industry.siemens.com/cs/ww/en/ps/3SB2404-0D>

**Image database (product images, 2D dimension drawings, 3D models, device circuit diagrams, EPLAN macros, ...)**

[https://www.automation.siemens.com/bilddb/cax\\_de.aspx?mlfb=3SB2404-0D&lang=en](https://www.automation.siemens.com/bilddb/cax_de.aspx?mlfb=3SB2404-0D&lang=en)



last modified:

4/4/2026 