



molded-plastic enclosure for surface mounting degree of protection IP55 with N and PE terminal can be locked in O position 54 mm with metric cable bushing no UL/CSA approval

product brand name	SIRIUS
product category	Enclosure
product designation	Molded-plastic enclosure for surface mounting
design of the product	Assembly
product type designation	3RV19

General technical data	
product function EMERGENCY OFF function	No
protection class IP of the enclosure	IP55
Substance Prohibition (day/month/year)	07/01/2006
Net Weight	0.293 kg
material of the enclosure	plastic

Installation/ mounting/ dimensions	
height	155 mm
width	85 mm
depth	126 mm

Approvals Certificates		
Environment	General Product Approval	Test Certificates

[Environmental Confirmations](#)



[Type Test Certificates/Test Report](#)

[Special Test Certificate](#)

Maritime application	other	Railway
----------------------	-------	---------



[Miscellaneous](#)

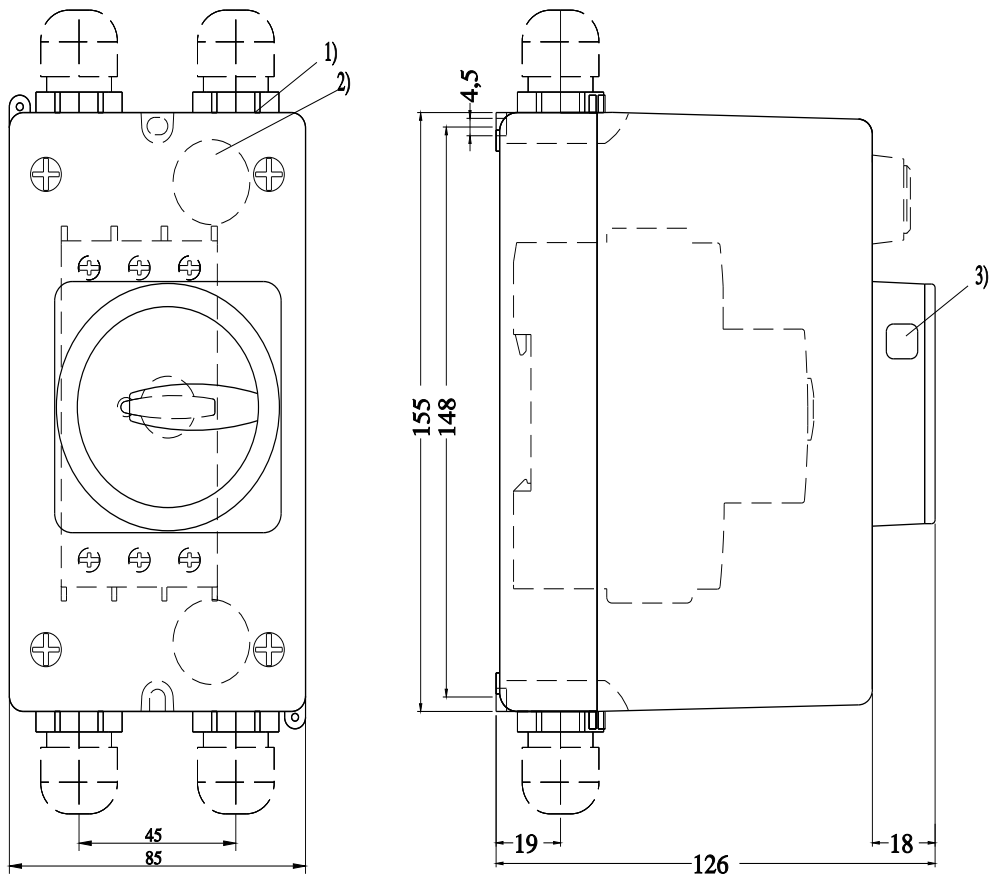
[Confirmation](#)

[Miscellaneous](#)

[Special Test Certificate](#)

Further information

- Information on the packaging
<https://support.industry.siemens.com/cs/ww/en/view/109813875>
- Information for data generation and storage
<https://support.industry.siemens.com/cs/ww/en/view/109995012>
- Information- and Downloadcenter (Catalogs, Brochures,...)
<https://www.siemens.com/ic10>
- Industry Mall (Online ordering system)
<https://mall.industry.siemens.com/mall/en/en/Catalog/product?mlfb=3RV1923-1CA00>
- Cax online generator
<https://support.automation.siemens.com/WW/CAXorder/default.aspx?lang=en&mlfb=3RV1923-1CA00>



- 1) Ausbrechoeffnung fuer Verschraubung M25
- 2) Ausbrechoeffnung fuer rechteckige Leitungseinfuehrung
- 3) Oeffnung fuer Vorhaengeschloss mit Buegeldurchmesser max. 8 mm

last modified:

10/18/2025 