



capacitor contactor, AC-6b 20 kVA_r, / 400 V, 3-pole, 21-28 V AC/DC, 50/60 Hz, with integrated varistor, auxiliary contacts: 1 NO + 2 NC, screw terminal, size: S0

product brand name	SIRIUS
product designation	capacitor contactors
product type designation	3RT26
General technical data	
size of contactor	S0
product extension auxiliary switch	No
power loss [W] for rated value of the current	
• at AC in hot operating state per pole	0.9 W
• without load current share typical	1.7 W
type of calculation of power loss current-dependent	quadratic
insulation voltage	
• of main circuit with degree of pollution 3 rated value	690 V
• of auxiliary circuit with degree of pollution 3 rated value	690 V
surge voltage resistance	
• of main circuit rated value	6 kV
• of auxiliary circuit rated value	6 kV
maximum permissible voltage for protective separation between coil and main contacts according to EN 60947-1	400 V
shock resistance at rectangular impulse	
• at AC	8,3 g / 5 ms, 5,3 g / 10 ms
• at DC	10g / 5 ms, 7,5g / 10 ms
shock resistance with sine pulse	
• at AC	13,5 g / 5 ms, 8,3 g / 10 ms
• at DC	15 g / 5 ms, 10 g / 10 ms
mechanical service life (operating cycles)	
• of the contactor with added auxiliary switch block typical	3 000 000
electrical endurance (operating cycles)	200 000
reference code according to IEC 81346-2	Q
Substance Prohibitance (Date)	05/01/2014
SVHC substance name	Lead CAS-No. 7439-92-1 Lead monoxide (lead oxide) CAS-No. 1317-36-8 2-methyl-1-(4-methylthiophenyl)-2-morpholinopropan-1-one CAS-No. 71868-10-5 Melamine CAS-No. 108-78-1
Net Weight	0.717 kg
Ambient conditions	
installation altitude at height above sea level maximum	2 000 m
ambient temperature	
• during operation	-25 ... +60 °C
• during storage	-55 ... +80 °C

relative humidity minimum	10 %
relative humidity at 55 °C according to IEC 60068-2-30 maximum	95 %
Main circuit	
number of poles for main current circuit	3
number of NO contacts for main contacts	3
number of NC contacts for main contacts	0
operational current at AC-6b at 690 V at ambient temperature 60 °C rated value	29 A
operating reactive power at AC-6b	
<ul style="list-style-type: none"> at 230 V at 50/60 Hz at ambient temperature 60 °C rated value 	4 ... 11.5 kvar
<ul style="list-style-type: none"> at 400 V at 50/60 Hz at ambient temperature 60 °C rated value 	7 ... 20 kvar
<ul style="list-style-type: none"> at 500 V at 50/60 Hz at ambient temperature 60 °C rated value 	8 ... 25 kvar
<ul style="list-style-type: none"> at 690 V at 50/60 Hz at ambient temperature 60 °C rated value 	11 ... 34 kvar
no-load switching frequency	
<ul style="list-style-type: none"> at AC 	500 1/h
<ul style="list-style-type: none"> at DC 	500 1/h
operating frequency at AC-6b	
<ul style="list-style-type: none"> at 230 V maximum 	100 1/h
<ul style="list-style-type: none"> at 240 V maximum 	100 1/h
<ul style="list-style-type: none"> at 400 V maximum 	100 1/h
<ul style="list-style-type: none"> at 480 V maximum 	100 1/h
<ul style="list-style-type: none"> at 500 V maximum 	100 1/h
<ul style="list-style-type: none"> at 600 V maximum 	100 1/h
<ul style="list-style-type: none"> at 690 V maximum 	100 1/h
Control circuit/ Control	
type of voltage	AC/DC
type of voltage of the control supply voltage	AC/DC
control supply voltage at AC	
<ul style="list-style-type: none"> at 50 Hz rated value 	21 ... 28 V
<ul style="list-style-type: none"> at 60 Hz rated value 	21 ... 28 V
control supply voltage frequency	
<ul style="list-style-type: none"> 1 rated value 	50 Hz
<ul style="list-style-type: none"> 2 rated value 	60 Hz
control supply voltage at DC rated value	21 ... 28 V
operating range factor control supply voltage rated value of magnet coil at DC	
<ul style="list-style-type: none"> initial value 	0.7
<ul style="list-style-type: none"> full-scale value 	1.3
operating range factor control supply voltage rated value of magnet coil at AC	
<ul style="list-style-type: none"> at 50 Hz 	0.7 ... 1.3
<ul style="list-style-type: none"> at 60 Hz 	0.7 ... 1.3
inrush current peak	3 A
duration of inrush current peak	30 µs
pickup current mean value	0.3 A
pickup current peak	0.52 A
duration of pickup current	180 ms
holding current mean value	45 mA
apparent pick-up power of magnet coil at AC	6.7 VA
inductive power factor with closing power of the coil	0.98
apparent holding power of magnet coil at AC	2 VA
inductive power factor with the holding power of the coil	0.86
closing power of magnet coil at DC	5.9 W
holding power of magnet coil at DC	1.4 W
closing delay	
<ul style="list-style-type: none"> at AC 	50 ... 80 ms

<ul style="list-style-type: none"> • at DC 	50 ... 80 ms
opening delay	
<ul style="list-style-type: none"> • at AC 	30 ... 50 ms
<ul style="list-style-type: none"> • at DC 	30 ... 50 ms
arcing time	10 ms
control version of the switch operating mechanism	Standard A1 - A2
residual current of the electronics for control with signal <0>	
<ul style="list-style-type: none"> • at AC at 230 V maximum permissible 	7 mA
<ul style="list-style-type: none"> • at DC at 24 V maximum permissible 	16 mA
Auxiliary circuit	
number of NC contacts for auxiliary contacts	2
<ul style="list-style-type: none"> • attachable 	0
<ul style="list-style-type: none"> • instantaneous contact 	2
number of NO contacts for auxiliary contacts	1
<ul style="list-style-type: none"> • attachable 	0
<ul style="list-style-type: none"> • instantaneous contact 	1
operational current of auxiliary contacts at AC-12 maximum	10 A
operational current of auxiliary contacts at AC-15	
<ul style="list-style-type: none"> • at 230 V 	6 A
<ul style="list-style-type: none"> • at 400 V 	3 A
<ul style="list-style-type: none"> • at 690 V 	1 A
operational current of auxiliary contacts at DC-13	
<ul style="list-style-type: none"> • at 24 V 	6 A
<ul style="list-style-type: none"> • at 60 V 	2 A
<ul style="list-style-type: none"> • at 110 V 	1 A
<ul style="list-style-type: none"> • at 125 V 	0.9 A
<ul style="list-style-type: none"> • at 220 V 	0.3 A
contact reliability of auxiliary contacts	0.00000001
UL/CSA ratings	
contact rating of auxiliary contacts according to UL	A600 / Q600
UL File Number (CCN)	E31519 (NLDX, NLDX7)
Short-circuit protection	
design of the miniature circuit breaker for short-circuit protection of the auxiliary circuit up to 230 V	C characteristic: 10 A; 0.4 kA
design of the fuse link	
<ul style="list-style-type: none"> • for short-circuit protection of the main circuit with type of coordination 1 required 	gG: 63 A (690 V, 50 kA)
<ul style="list-style-type: none"> • for short-circuit protection of the auxiliary switch required 	gG: 10 A (690 V, 1 kA)
Installation/ mounting/ dimensions	
mounting position	+/-180° rotation possible on vertical mounting surface; can be tilted forward and backward by +/- 22.5° on vertical mounting surface
fastening method	screw and snap-on mounting onto 35 mm DIN rail according to DIN EN 50022
height	135 mm
width	45 mm
depth	165 mm
required spacing	
<ul style="list-style-type: none"> • with side-by-side mounting at the side 	10 mm
<ul style="list-style-type: none"> • for grounded parts at the side 	10 mm
Connections/ Terminals	
type of electrical connection	
<ul style="list-style-type: none"> • for main current circuit 	screw-type terminals
<ul style="list-style-type: none"> • for auxiliary and control circuit 	screw-type terminals
<ul style="list-style-type: none"> • at contactor for auxiliary contacts 	Screw-type terminals
<ul style="list-style-type: none"> • of magnet coil 	Screw-type terminals
type of connectable conductor cross-sections for main contacts	
<ul style="list-style-type: none"> • solid 	2x (1 ... 2.5 mm ²), 2x (2.5 ... 10 mm ²)
<ul style="list-style-type: none"> • stranded 	2x (1 ... 2.5 mm ²), 2x (2.5 ... 10 mm ²)
<ul style="list-style-type: none"> • solid or stranded 	2x (1 ... 2.5 mm ²), 2x (2.5 ... 10 mm ²)
<ul style="list-style-type: none"> • finely stranded with core end processing 	2x (1 ... 2.5 mm ²), 2x (2.5 ... 6 mm ²), 1x 10 mm ²

type of connectable conductor cross-sections	
<ul style="list-style-type: none"> • for auxiliary contacts <ul style="list-style-type: none"> — solid — solid or stranded — finely stranded with core end processing • for AWG cables for auxiliary contacts 	2x (0.5 ... 1.5 mm ²), 2x (0.75 ... 2.5 mm ²), 2x 4 mm ² 2x (0.5 ... 1.5 mm ²), 2x (0.75 ... 2.5 mm ²), 2x 4 mm ² 2x (0.5 ... 1.5 mm ²), 2x (0.75 ... 2.5 mm ²) 2x (20 ... 16), 2x (18 ... 14), 2x 12
type of minimum connectable cross-sections for main contacts at AC-6b	
<ul style="list-style-type: none"> • at 40 °C • at 60 °C 	1x 10 mm ² 2x 10 mm ²
AWG number as coded connectable conductor cross section for main contacts	16 ... 8

Safety related data

product function	
<ul style="list-style-type: none"> • mirror contact according to IEC 60947-4-1 • positively driven operation according to IEC 60947-5-1 	No No

Electrical Safety

protection class IP on the front according to IEC 60529	IP20
touch protection on the front according to IEC 60529	finger-safe, for vertical contact from the front

Approvals Certificates

Environmental Product Declaration	
<ul style="list-style-type: none"> • global warming potential [CO2 eq] / during manufacturing • global warming potential [CO2 eq] / during operation • global warming potential [CO2 eq] / after end of life • global warming potential [CO2 eq] / total 	2.47 kg 104 kg -0.226 kg 106 kg

Environment **General Product Approval**

[Environmental Confirmations](#)



General Product Approval **EMV** **Test Certificates** **Maritime application**



[Type Test Certificates/Test Report](#)



other **Dangerous goods**

[Confirmation](#)

[Confirmation](#)

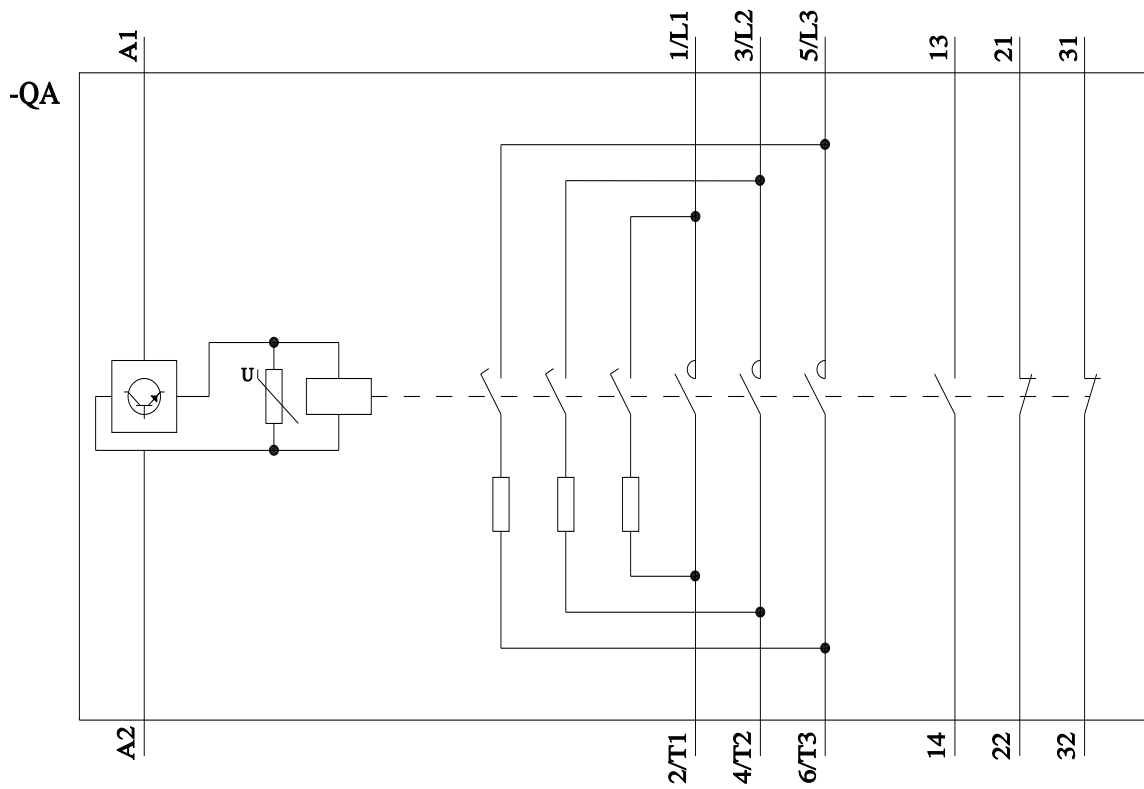
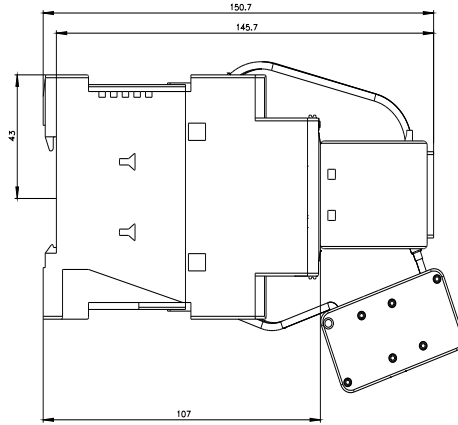
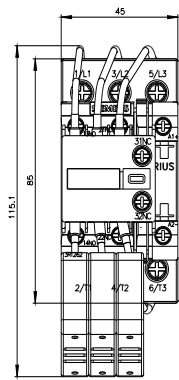


[Miscellaneous](#)

[Transport Information](#)

Further information

- Information on the packaging
<https://support.industry.siemens.com/cs/ww/en/view/109813875>
- Information for data generation and storage
<https://support.industry.siemens.com/cs/ww/en/view/109995012>
- Information- and Downloadcenter (Catalogs, Brochures,...)
<https://www.siemens.com/ic10>
- Industry Mall (Online ordering system)
<https://mall.industry.siemens.com/mall/en/en/Catalog/product?mlfb=3RT2626-1NB35>
- Service&Support (Manuals, Certificates, Characteristics, FAQs,...)
<https://support.industry.siemens.com/cs/ww/en/ps/3RT2626-1NB35>
- Image database (product images, 2D dimension drawings, 3D models, device circuit diagrams, EPLAN macros, ...)
https://www.automation.siemens.com/bilddb/cax_de.aspx?mlfb=3RT2626-1NB35&lang=en
- Cax online generator
<https://support.automation.siemens.com/WW/CAXorder/default.aspx?lang=en&mlfb=3RT2626-1NB35>
- Characteristic curves
[https://curves.simaris.siemens.com/curves/<mmp_prod_noCOMP="HAUPT"></mmp_prod_no>](https://curves.simaris.siemens.com/curves/<mmp_prod_noCOMP=)



last modified:

4/4/2026

