



power contactor, AC-3e/AC-3 400 A, 200 kW / 400 V AC (50-60 Hz) / DC U_c: 200-277 V PLC input 24 V DC 3-pole, auxiliary contacts 2 NO + 2 NC drive: electronic main circuit: busbar control and auxiliary circuit: spring-loaded terminal

product brand name	SIRIUS
product designation	Power contactor
product type designation	3RT1
General technical data	
size of contactor	S12
product extension	
• function module for communication	No
• auxiliary switch	Yes
power loss [W] for rated value of the current	
• at AC in hot operating state	105 W
• at AC in hot operating state per pole	35 W
• without load current share typical	3.6 W
type of calculation of power loss current-dependent	quadratic
insulation voltage	
• of main circuit with degree of pollution 3 rated value	1 000 V
• of auxiliary circuit with degree of pollution 3 rated value	500 V
surge voltage resistance	
• of main circuit rated value	8 kV
• of auxiliary circuit rated value	6 kV
maximum permissible voltage for protective separation between coil and main contacts according to EN 60947-1	690 V
shock resistance at rectangular impulse	
• at AC	8,5 g / 5 ms, 4,2 g / 10 ms
• at DC	8,5 g / 5 ms, 4,2 g / 10 ms
shock resistance with sine pulse	
• at AC	13,4 g / 5 ms, 6,5 g / 10 ms
• at DC	13,4 g / 5 ms, 6,5 g / 10 ms
mechanical service life (operating cycles)	
• of contactor typical	10 000 000
• of the contactor with added electronically optimized auxiliary switch block typical	5 000 000
• of the contactor with added auxiliary switch block typical	10 000 000
reference code according to IEC 81346-2	Q
Substance Prohibitance (day/month/year)	05/01/2012
SVHC substance name	Lead CAS-No. 7439-92-1 Lead monoxide (lead oxide) CAS-No. 1317-36-8 2-methyl-1-(4-methylthiophenyl)-2-morpholinopropan-1-one CAS-No. 71868-10-5 Melamine CAS-No. 108-78-1 6,6'-di-tert-butyl-2,2'-methylenedi-p-cresol CAS-No. 119-47-1
Net Weight	10.095 kg

Ambient conditions	
installation altitude at height above sea level maximum	2 000 m
ambient temperature	
• during operation	-25 ... +60 °C
• during storage	-55 ... +80 °C
relative humidity minimum	10 %
relative humidity at 55 °C according to IEC 60068-2-30 maximum	95 %
Main circuit	
number of poles for main current circuit	3
number of NO contacts for main contacts	3
number of NC contacts for main contacts	0
operating voltage	
• at AC-3 rated value maximum	1 000 V
• at AC-3e rated value maximum	1 000 V
operational current	
• at AC-1 at 400 V at ambient temperature 40 °C rated value	430 A
• at AC-1	
— up to 690 V at ambient temperature 40 °C rated value	430 A
— up to 690 V at ambient temperature 60 °C rated value	400 A
— up to 1000 V at ambient temperature 40 °C rated value	200 A
— up to 1000 V at ambient temperature 60 °C rated value	200 A
• at AC-3	
— at 400 V rated value	400 A
— at 500 V rated value	400 A
— at 690 V rated value	400 A
— at 1000 V rated value	180 A
• at AC-3e	
— at 400 V rated value	400 A
— at 500 V rated value	400 A
— at 690 V rated value	400 A
— at 1000 V rated value	180 A
• at AC-4 at 400 V rated value	350 A
• at AC-5a up to 690 V rated value	378 A
• at AC-5b up to 400 V rated value	332 A
• at AC-6a	
— up to 230 V for current peak value n=20 rated value	395 A
— up to 400 V for current peak value n=20 rated value	395 A
— up to 500 V for current peak value n=20 rated value	395 A
— up to 690 V for current peak value n=20 rated value	395 A
— up to 1000 V for current peak value n=20 rated value	180 A
• at AC-6a	
— up to 230 V for current peak value n=30 rated value	264 A
— up to 400 V for current peak value n=30 rated value	264 A
— up to 500 V for current peak value n=30 rated value	264 A
— up to 690 V for current peak value n=30 rated value	264 A
— up to 1000 V for current peak value n=30 rated value	180 A
minimum cross-section in main circuit at maximum AC-1 rated value	300 mm ²
operational current for approx. 200000 operating cycles at AC-4	
• at 400 V rated value	150 A
• at 690 V rated value	135 A
operational current	
• at 1 current path at DC-1	

— at 24 V rated value	400 A
— at 60 V rated value	330 A
— at 110 V rated value	33 A
— at 220 V rated value	3.8 A
— at 440 V rated value	0.9 A
— at 600 V rated value	0.6 A
● with 2 current paths in series at DC-1	
— at 24 V rated value	400 A
— at 60 V rated value	400 A
— at 110 V rated value	400 A
— at 220 V rated value	400 A
— at 440 V rated value	4 A
— at 600 V rated value	2 A
● with 3 current paths in series at DC-1	
— at 24 V rated value	400 A
— at 60 V rated value	400 A
— at 110 V rated value	400 A
— at 220 V rated value	400 A
— at 440 V rated value	11 A
— at 600 V rated value	5.2 A
● at 1 current path at DC-3 at DC-5	
— at 24 V rated value	400 A
— at 60 V rated value	11 A
— at 220 V rated value	0.6 A
— at 440 V rated value	0.18 A
— at 600 V rated value	0.125 A
● with 2 current paths in series at DC-3 at DC-5	
— at 24 V rated value	400 A
— at 60 V rated value	400 A
— at 110 V rated value	400 A
— at 220 V rated value	2.5 A
— at 440 V rated value	0.65 A
— at 600 V rated value	0.37 A
● with 3 current paths in series at DC-3 at DC-5	
— at 24 V rated value	400 A
— at 60 V rated value	400 A
— at 110 V rated value	400 A
— at 220 V rated value	400 A
— at 440 V rated value	1.4 A
— at 600 V rated value	0.75 A
operating power	
● at AC-3	
— at 230 V rated value	132 kW
— at 400 V rated value	200 kW
— at 500 V rated value	250 kW
— at 690 V rated value	400 kW
— at 1000 V rated value	250 kW
● at AC-3e	
— at 230 V rated value	132 kW
— at 400 V rated value	200 kW
— at 500 V rated value	250 kW
— at 690 V rated value	400 kW
— at 1000 V rated value	250 kW
operating power for approx. 200000 operating cycles at AC-4	
● at 400 V rated value	85 kW
● at 690 V rated value	133 kW
operating apparent power at AC-6a	
● up to 230 V for current peak value n=20 rated value	150 kVA

<ul style="list-style-type: none"> • up to 400 V for current peak value n=20 rated value • up to 500 V for current peak value n=20 rated value • up to 690 V for current peak value n=20 rated value • up to 1000 V for current peak value n=20 rated value 	270 kVA 340 kVA 470 kVA 310 kVA
operating apparent power at AC-6a <ul style="list-style-type: none"> • up to 230 V for current peak value n=30 rated value • up to 400 V for current peak value n=30 rated value • up to 500 V for current peak value n=30 rated value • up to 690 V for current peak value n=30 rated value • up to 1000 V for current peak value n=30 rated value 	100 kVA 180 kVA 220 kVA 310 kVA 310 kVA
short-time withstand current in cold operating state up to 40 °C <ul style="list-style-type: none"> • limited to 1 s switching at zero current maximum • limited to 5 s switching at zero current maximum • limited to 10 s switching at zero current maximum • limited to 30 s switching at zero current maximum • limited to 60 s switching at zero current maximum 	6 600 A; Use minimum cross-section acc. to AC-1 rated value 5 761 A; Use minimum cross-section acc. to AC-1 rated value 4 143 A; Use minimum cross-section acc. to AC-1 rated value 2 635 A; Use minimum cross-section acc. to AC-1 rated value 2 088 A; Use minimum cross-section acc. to AC-1 rated value
no-load switching frequency <ul style="list-style-type: none"> • at AC • at DC 	1 000 1/h 1 000 1/h
operating frequency <ul style="list-style-type: none"> • at AC-1 maximum • at AC-2 maximum • at AC-3 maximum • at AC-3e <ul style="list-style-type: none"> — maximum • at AC-4 maximum 	700 1/h 200 1/h 500 1/h 500 1/h 130 1/h
Control circuit/ Control	
type of voltage of the control supply voltage	AC/DC
control supply voltage at AC <ul style="list-style-type: none"> • at 50 Hz rated value • at 60 Hz rated value 	200 ... 277 V 200 ... 277 V
control supply voltage at DC rated value	200 ... 277 V
operating range factor control supply voltage rated value of magnet coil at DC <ul style="list-style-type: none"> • initial value • full-scale value 	0.8 1.1
operating range factor control supply voltage rated value of magnet coil at AC <ul style="list-style-type: none"> • at 50 Hz • at 60 Hz 	0.8 ... 1.1 0.8 ... 1.1
type of PLC-control input according to IEC 60947-1	Type 2
consumed current at PLC-control input according to IEC 60947-1 maximum	20 mA
voltage at PLC-control input rated value	24 V
operating range factor of the voltage at PLC-control input	0.8 ... 1.1
design of the surge suppressor	with varistor
apparent pick-up power <ul style="list-style-type: none"> • at minimum rated control supply voltage at AC <ul style="list-style-type: none"> — at 50 Hz — at 60 Hz • at maximum rated control supply voltage at AC <ul style="list-style-type: none"> — at 60 Hz — at 50 Hz 	560 VA 560 VA 750 VA 750 VA
apparent pick-up power of magnet coil at AC <ul style="list-style-type: none"> • at 50 Hz • at 60 Hz 	750 VA 750 VA
inductive power factor with closing power of the coil <ul style="list-style-type: none"> • at 50 Hz • at 60 Hz 	0.8 0.8

apparent holding power	
• at minimum rated control supply voltage at DC	3 VA
• at maximum rated control supply voltage at DC	3.6 VA
apparent holding power	
• at minimum rated control supply voltage at AC	
— at 50 Hz	5.6 VA
— at 60 Hz	5.6 VA
• at maximum rated control supply voltage at AC	
— at 50 Hz	9 VA
— at 60 Hz	9 VA
inductive power factor with the holding power of the coil	
• at 50 Hz	0.5
• at 60 Hz	0.4
closing power of magnet coil at DC	800 W
holding power of magnet coil at DC	3.6 W
closing delay	
• at AC	60 ... 90 ms
• at DC	60 ... 90 ms
opening delay	
• at AC	80 ... 100 ms
• at DC	80 ... 100 ms
arcing time	10 ... 15 ms
control version of the switch operating mechanism	PLC-IN or Standard A1 - A2 (adjustable)
Auxiliary circuit	
number of NC contacts for auxiliary contacts instantaneous contact	2
number of NO contacts for auxiliary contacts instantaneous contact	2
operational current at AC-12 maximum	10 A
operational current at AC-15	
• at 230 V rated value	6 A
• at 400 V rated value	3 A
• at 500 V rated value	2 A
• at 690 V rated value	1 A
operational current at DC-12	
• at 24 V rated value	10 A
• at 48 V rated value	6 A
• at 60 V rated value	6 A
• at 110 V rated value	3 A
• at 125 V rated value	2 A
• at 220 V rated value	1 A
• at 600 V rated value	0.15 A
operational current at DC-13	
• at 24 V rated value	10 A
• at 48 V rated value	2 A
• at 60 V rated value	2 A
• at 110 V rated value	1 A
• at 125 V rated value	0.9 A
• at 220 V rated value	0.3 A
• at 600 V rated value	0.1 A
contact reliability of auxiliary contacts	1 faulty switching per 100 million (17 V, 1 mA)
UL/CSA ratings	
full-load current (FLA) for 3-phase AC motor	
• at 480 V rated value	361 A
• at 600 V rated value	382 A
yielded mechanical performance [hp]	
• for 3-phase AC motor	
— at 200/208 V rated value	125 hp
— at 220/230 V rated value	150 hp

— at 460/480 V rated value	300 hp
— at 575/600 V rated value	400 hp
contact rating of auxiliary contacts according to UL	A600 / Q600
Short-circuit protection	
design of the miniature circuit breaker for short-circuit protection of the auxiliary circuit up to 230 V	C characteristic: 10 A; 0.4 kA
design of the fuse link	
<ul style="list-style-type: none"> ● for short-circuit protection of the main circuit <ul style="list-style-type: none"> — with type of coordination 1 required — with type of coordination 2 required ● for short-circuit protection of the auxiliary switch required 	gG: 630 A (690 V, 100 kA) gG: 500 A (690 V, 100 kA), aM: 400 A (690 V, 50 kA), BS88: 450 A (415 V, 50 kA) gG: 10 A (500 V, 1 kA)
Installation/ mounting/ dimensions	
mounting position	with vertical mounting surface +/-90° rotatable, with vertical mounting surface +/- 22.5° tiltable to the front and back
fastening method side-by-side mounting	Yes
fastening method	screw fixing
height	214 mm
width	160 mm
depth	225 mm
required spacing	
<ul style="list-style-type: none"> ● with side-by-side mounting <ul style="list-style-type: none"> — forwards — upwards — downwards — at the side ● for grounded parts <ul style="list-style-type: none"> — forwards — upwards — at the side — downwards ● for live parts <ul style="list-style-type: none"> — forwards — upwards — downwards — at the side 	20 mm 10 mm 10 mm 0 mm 20 mm 10 mm 10 mm 10 mm 20 mm 10 mm 10 mm 10 mm
Connections/ Terminals	
type of electrical connection	
<ul style="list-style-type: none"> ● for main current circuit ● for auxiliary and control circuit ● at contactor for auxiliary contacts ● of magnet coil 	Connection bar spring-loaded terminals Spring-type terminals Spring-type terminals
width of connection bar	25 mm
thickness of connection bar	6 mm
diameter of holes	11 mm
number of holes	1
type of connectable conductor cross-sections	
<ul style="list-style-type: none"> ● for AWG cables for main contacts 	2/0 ... 500 kcmil
connectable conductor cross-section for main contacts	
<ul style="list-style-type: none"> ● stranded 	70 ... 240 mm ²
connectable conductor cross-section for auxiliary contacts	
<ul style="list-style-type: none"> ● solid or stranded ● finely stranded with core end processing ● finely stranded without core end processing 	0.25 ... 2.5 mm ² 0.25 ... 1.5 mm ² 0.25 ... 2.5 mm ²
type of connectable conductor cross-sections	
<ul style="list-style-type: none"> ● for auxiliary contacts <ul style="list-style-type: none"> — solid — solid or stranded — finely stranded with core end processing — finely stranded without core end processing 	2x (0.25 ... 2.5 mm ²) 2x (0,25 ... 2,5 mm ²) 2x (0.25 ... 1.5 mm ²) 2x (0.25 ... 2.5 mm ²)

• for AWG cables for auxiliary contacts	2x (24 ... 14)
AWG number as coded connectable conductor cross section for auxiliary contacts	24 ... 14

Safety related data

product function	
• mirror contact according to IEC 60947-4-1	Yes
• positively driven operation according to IEC 60947-5-1	No
• suitable for safety function	Yes
suitability for use safety-related switching OFF	Yes; safety-related disconnection via A1 A2
service life maximum	20 a
test wear-related service life necessary	Yes
proportion of dangerous failures	
• with low demand rate according to SN 31920	40 %
• with high demand rate according to SN 31920	73 %
B10 value with high demand rate according to SN 31920	1 000 000
failure rate [FIT] with low demand rate according to SN 31920	100 FIT
ISO 13849	
device type according to ISO 13849-1	3
overdimensioning according to ISO 13849-2 necessary	Yes
IEC 61508	
safety device type according to IEC 61508-2	Type A
Electrical Safety	
protection class IP on the front according to IEC 60529	IP00; IP20 with box terminal/cover
touch protection on the front according to IEC 60529	finger-safe, for vertical contact from the front with box terminal/cover

Approvals Certificates

Environment	General Product Approval
--------------------	---------------------------------

[Environmental Conformations](#)



General Product Approval	EMV	Functional Safety	Test Certificates	Maritime application
---------------------------------	------------	--------------------------	--------------------------	-----------------------------



[Type Examination Certificate](#)

[Type Test Certificates/Test Report](#)

[Special Test Certificate](#)



Maritime application	other
-----------------------------	--------------



[Miscellaneous](#)

[Miscellaneous](#)

[Confirmation](#)

[Confirmation](#)



other	Railway
--------------	----------------

[Miscellaneous](#)

[Special Test Certificate](#)

Further information

Information on the packaging

<https://support.industry.siemens.com/cs/ww/en/view/109813875>

Information for data generation and storage

<https://support.industry.siemens.com/cs/ww/en/view/109995012>

Information- and Downloadcenter (Catalogs, Brochures,...)

<https://www.siemens.com/ic10>

Industry Mall (Online ordering system)

<https://mall.industry.siemens.com/mall/en/en/Catalog/product?mlfb=3RT1075-2NP36>

Service&Support (Manuals, Certificates, Characteristics, FAQs,...)

<https://support.industry.siemens.com/cs/ww/en/ps/3RT1075-2NP36>

Image database (product images, 2D dimension drawings, 3D models, device circuit diagrams, EPLAN macros, ...)

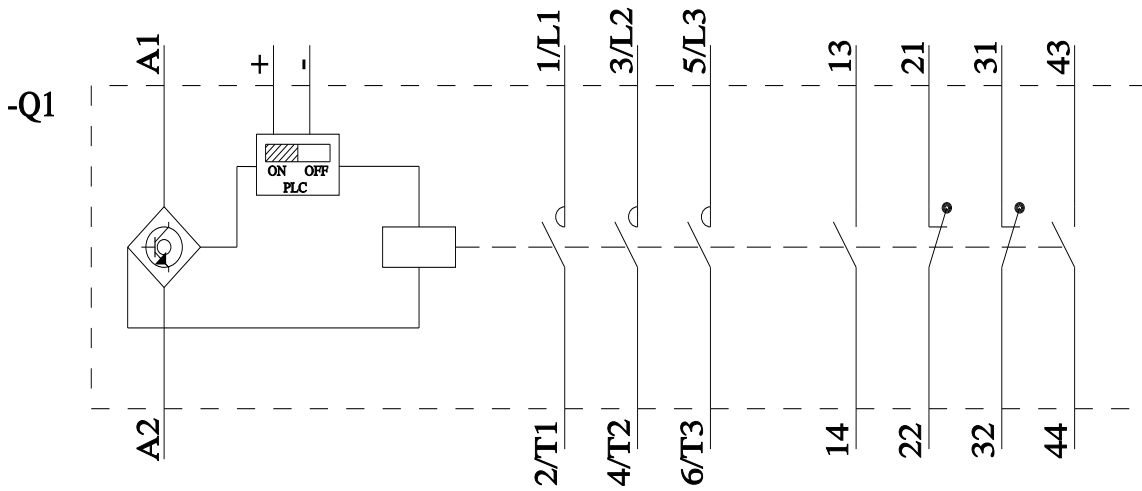
https://www.automation.siemens.com/bilddb/cax_de.aspx?mlfb=3RT1075-2NP36&lang=en

Cax online generator

<https://support.automation.siemens.com/WW/CAXorder/default.aspx?lang=en&mlfb=3RT1075-2NP36>

Characteristic curves

[https://curves.simaris.siemens.com/curves/<mmp_prod_noCOMP="HAUPT"></mmp_prod_no>](https://curves.simaris.siemens.com/curves/<mmp_prod_noCOMP=)



last modified:

4/4/2026