



Solid-state contactor 3-phase 3RF3 AC 53 / 3.8 A / 40 °C 48-480 V / 110-230 V AC  
Reversing circuit Instantaneous switching screw terminal

<b>product brand name</b>	SIRIUS
<b>product designation</b>	solid-state reversing contactor
<b>design of the product</b>	2-pole controlled
<b>product type designation</b>	3RF34
<b>manufacturer's article number</b>	
<ul style="list-style-type: none"> <li>• _1 of the accessories that can be ordered</li> <li>• _2 of the accessories that can be ordered</li> </ul>	<a href="#">3RA2921-1BA00</a> <a href="#">3RF3900-QQA88</a>
<b>product designation</b>	
<ul style="list-style-type: none"> <li>• _1 of the accessories that can be ordered</li> <li>• _2 of the accessories that can be ordered</li> </ul>	Link module Connection adapter
<b>General technical data</b>	
<b>certificate of suitability</b>	CE / UL / CSA / CCC / C-Tick (RCM)
<b>product function</b>	instantaneous switching
<b>power loss [W] for rated value of the current</b>	
<ul style="list-style-type: none"> <li>• at AC in hot operating state</li> <li>• at AC in hot operating state per pole</li> <li>• without load current share typical</li> </ul>	7 W 2.33 W 3.5 W
<b>type of calculation of power loss current-dependent</b>	linear
<b>insulation voltage rated value</b>	600 V
<b>degree of pollution</b>	3
surge voltage resistance of main circuit rated value	6 kV
<b>protection class IP</b>	IP20
protection class IP on the front according to IEC 60529	IP20
<b>shock resistance according to IEC 60068-2-27</b>	15 g / 11 ms
<b>vibration resistance according to IEC 60068-2-6</b>	2 g
<b>reference code according to IEC 81346-2</b>	Q
<b>Substance Prohibitance (day/month/year)</b>	05/28/2009
<b>SVHC substance name</b>	Lead CAS-No. 7439-92-1 Lead monoxide (lead oxide) CAS-No. 1317-36-8 2-methyl-1-(4-methylthiophenyl)-2-morpholinopropan-1-one CAS-No. 71868-10-5 Melamine CAS-No. 108-78-1
<b>Net Weight</b>	0.309 kg
<b>Main circuit</b>	
<b>number of poles for main current circuit</b>	3
<b>number of NO contacts for main contacts</b>	2
<b>number of NC contacts for main contacts</b>	0
<b>type of voltage of the operating voltage</b>	AC
<b>operating voltage</b>	
<ul style="list-style-type: none"> <li>• at AC</li> </ul>	

— at 50 Hz rated value	48 ... 480 V
— at 60 Hz rated value	48 ... 480 V
<b>operating frequency rated value</b>	50 ... 60 Hz
<b>relative symmetrical tolerance of the operating frequency</b>	10 %
<b>operating range relative to the operating voltage at AC</b>	
• at 50 Hz	40 ... 506 V
• at 60 Hz	40 ... 506 V
<b>operational current</b>	
• at AC-3 at 400 V rated value	3.8 A
• at AC-53a at 400 V at ambient temperature 40 °C rated value	3.8 A
<b>operational current minimum</b>	500 mA
<b>operating power</b>	
• at AC-3 at 400 V rated value	1.5 kW
<b>rate of voltage rise at the thyristor for main contacts maximum permissible</b>	1 000 V/μs
<b>blocking voltage at the thyristor for main contacts maximum permissible</b>	1 200 V
<b>reverse current of the thyristor</b>	10 mA
<b>derating temperature</b>	40 °C
<b>surge current resistance rated value</b>	600 A
<b>I<sup>2</sup>t value maximum</b>	1 800 A <sup>2</sup> ·s
<b>Control circuit/ Control</b>	
<b>type of voltage of the control supply voltage</b>	AC
<b>control supply voltage at AC</b>	
• at 50 Hz	110 ... 230 V
• at 60 Hz	110 ... 230 V
<b>control supply voltage at AC</b>	
• at 50 Hz full-scale value for signal<0> recognition	40 V
• at 60 Hz full-scale value for signal<0> recognition	40 V
• initial value for signal <1> detection	90 V
<b>control supply voltage frequency</b>	
• 1 rated value	50 Hz
• 2 rated value	60 Hz
<b>relative symmetrical tolerance of the control supply voltage frequency</b>	10 %
<b>symmetrical line frequency tolerance</b>	5 Hz
<b>operating range factor control supply voltage rated value at AC at 50 Hz</b>	
• initial value	0.82
• full-scale value	1.1
<b>operating range factor control supply voltage rated value at AC at 60 Hz</b>	
• initial value	0.82
• full-scale value	1.1
<b>control current at minimum control supply voltage</b>	
• at AC	2 mA
control current at AC rated value	15 mA
<b>ON-delay time</b>	20 ms
<b>OFF-delay time</b>	10 ms; additionally max. one half-wave
<b>switchover delay of reversing contactor</b>	50 ... 100 ms
<b>Installation/ mounting/ dimensions</b>	
<b>mounting position</b>	vertical
fastening method side-by-side mounting	Yes
<b>fastening method</b>	screw and snap-on mounting onto 35 mm DIN rail
<b>design of the thread of the screw for securing the equipment</b>	M4
<b>height</b>	95 mm
<b>width</b>	45 mm
<b>depth</b>	113.8 mm
required spacing with side-by-side mounting	

<ul style="list-style-type: none"> <li>• upwards</li> </ul>	70 mm
<ul style="list-style-type: none"> <li>• downwards</li> </ul>	50 mm
<b>Connections/ Terminals</b>	
<b>product component removable terminal for auxiliary and control circuit</b>	Yes
<b>type of electrical connection</b>	
<ul style="list-style-type: none"> <li>• for main current circuit</li> </ul>	screw-type terminals
<ul style="list-style-type: none"> <li>• for auxiliary and control circuit</li> </ul>	screw-type terminals
<b>type of connectable conductor cross-sections</b>	
<ul style="list-style-type: none"> <li>• for main contacts <ul style="list-style-type: none"> <li>— solid</li> </ul> </li> </ul>	2x (1.5 ... 2.5 mm <sup>2</sup> ), 2x (2.5 ... 6 mm <sup>2</sup> )
<ul style="list-style-type: none"> <li>— finely stranded with core end processing</li> </ul>	2x (1 ... 2.5 mm <sup>2</sup> ), 2x (2.5 ... 6 mm <sup>2</sup> ), 1x 10 mm <sup>2</sup>
<ul style="list-style-type: none"> <li>• for AWG cables for main contacts</li> </ul>	2x (14 ... 10)
<b>connectable conductor cross-section for main contacts</b>	
<ul style="list-style-type: none"> <li>• solid or stranded</li> </ul>	1.5 ... 6 mm <sup>2</sup>
<ul style="list-style-type: none"> <li>• finely stranded with core end processing</li> </ul>	1 ... 10 mm <sup>2</sup>
<b>type of connectable conductor cross-sections</b>	
<ul style="list-style-type: none"> <li>• for auxiliary and control contacts <ul style="list-style-type: none"> <li>— solid</li> </ul> </li> </ul>	1x (0.5 ... 2.5 mm <sup>2</sup> ), 2x (0.5 ... 1 mm <sup>2</sup> )
<ul style="list-style-type: none"> <li>— finely stranded with core end processing</li> </ul>	1x (0.5 ... 2.5 mm <sup>2</sup> ), 2x (0.5 ... 1 mm <sup>2</sup> )
<ul style="list-style-type: none"> <li>— finely stranded without core end processing</li> </ul>	1x (0.5 ... 2.5 mm <sup>2</sup> ), 2x (0.5 ... 1 mm <sup>2</sup> )
<ul style="list-style-type: none"> <li>• for AWG cables for auxiliary and control contacts</li> </ul>	1x (20 ... 12)
<b>AWG number as coded connectable conductor cross section for main contacts</b>	14 ... 10
<b>tightening torque</b>	
<ul style="list-style-type: none"> <li>• for main contacts with screw-type terminals</li> </ul>	2 ... 2.5 N·m
<ul style="list-style-type: none"> <li>• for auxiliary and control contacts with screw-type terminals</li> </ul>	0.5 ... 0.6 N·m
<b>tightening torque [lbf·in]</b>	
<ul style="list-style-type: none"> <li>• for main contacts with screw-type terminals</li> </ul>	18 ... 22 lbf·in
<ul style="list-style-type: none"> <li>• for auxiliary and control contacts with screw-type terminals</li> </ul>	7.5 ... 5.3 lbf·in
<b>design of the thread of the connection screw</b>	
<ul style="list-style-type: none"> <li>• for main contacts</li> </ul>	M4
<ul style="list-style-type: none"> <li>• of the auxiliary and control contacts</li> </ul>	M3
<b>stripped length of the cable</b>	
<ul style="list-style-type: none"> <li>• for main contacts</li> </ul>	10 mm
<ul style="list-style-type: none"> <li>• for auxiliary and control contacts</li> </ul>	7 mm
<b>UL/CSA ratings</b>	
<b>full-load current (FLA) for 3-phase AC motor</b>	
<ul style="list-style-type: none"> <li>• at 480 V rated value</li> </ul>	3.4 A
yielded mechanical performance [hp] for 3-phase AC motor	
<ul style="list-style-type: none"> <li>• at 200/208 V rated value</li> </ul>	0.5 hp
<ul style="list-style-type: none"> <li>• at 220/230 V rated value</li> </ul>	0.75 hp
<ul style="list-style-type: none"> <li>• at 460/480 V rated value</li> </ul>	2 hp
<b>Safety related data</b>	
proportion of dangerous failures with high demand rate according to SN 31920	50 %
<b>MTTF with high demand rate</b>	39 a
IEC 61508	
T1 value for proof test interval or service life according to IEC 61508	6 a
Electrical Safety	
<b>touch protection on the front according to IEC 60529</b>	finger-safe, for vertical contact from the front
<b>Ambient conditions</b>	
installation altitude at height above sea level maximum	1 000 m
<b>ambient temperature</b>	
<ul style="list-style-type: none"> <li>• during operation</li> </ul>	-25 ... +60 °C
<ul style="list-style-type: none"> <li>• during storage</li> </ul>	-55 ... +80 °C
<b>Electromagnetic compatibility</b>	

<b>conducted interference</b>	<ul style="list-style-type: none"> <li>• due to burst according to IEC 61000-4-4</li> <li>• due to conductor-earth surge according to IEC 61000-4-5</li> <li>• due to conductor-conductor surge according to IEC 61000-4-5</li> <li>• due to high-frequency radiation according to IEC 61000-4-6</li> </ul>	<p>2 kV / 5 kHz, behavior criterion 2</p> <p>2 kV, behavior criterion 2</p> <p>1 kV, behavior criterion 2</p> <p>140 dBuV in the frequency range 0.15 ... 80 MHz, behavior criterion 1</p>
<b>electrostatic discharge according to IEC 61000-4-2</b>		4 kV contact discharging / 8 kV air discharging, behavior criterion 2
<b>conducted HF interference emissions according to CISPR11</b>		Class A for industrial environment
<b>field-bound HF interference emission according to CISPR11</b>		Class A for industrial environment

### Short-circuit protection, design of the fuse link

manufacturer's article number <ul style="list-style-type: none"> <li>• of full range R fuse link for semiconductor protection at NH design usable</li> <li>• of full range R fuse link for semiconductor protection at cylindrical design usable</li> <li>• of back-up R fuse link for semiconductor protection at NH design usable</li> <li>• of back-up R fuse link for semiconductor protection at cylindrical design 10 x 38 mm usable</li> <li>• of back-up R fuse link for semiconductor protection at cylindrical design 14 x 51 mm usable</li> <li>• of back-up R fuse link for semiconductor protection at cylindrical design 22 x 58 mm usable</li> </ul>	<p><a href="#">3NE1813-0</a></p> <p><a href="#">5SE1335</a></p> <p><a href="#">3NE8015-1</a></p> <p><a href="#">3NC1020</a></p> <p><a href="#">3NC1415</a></p> <p><a href="#">3NC2220</a></p>
manufacturer's article number of the gG fuse <ul style="list-style-type: none"> <li>• at NH design usable</li> <li>• at cylindrical design 10 x 38 mm usable</li> <li>• at cylindrical design 14 x 51 mm usable</li> </ul>	<p><a href="#">3NA3801-6</a></p> <p><a href="#">3NW6001-1</a></p> <p><a href="#">3NW6101-1</a></p>

### Approvals Certificates

<b>Environment</b>	<b>General Product Approval</b>
--------------------	---------------------------------

[Environmental Confirmations](#)



<b>General Product Approval</b>	<b>EMV</b>	<b>Test Certificates</b>	<b>other</b>
---------------------------------	------------	--------------------------	--------------



[Type Test Certificates/Test Report](#)

[Confirmation](#)

[Confirmation](#)



### Further information

Information on the packaging

<https://support.industry.siemens.com/cs/ww/en/view/109813875>

Information for data generation and storage

<https://support.industry.siemens.com/cs/ww/en/view/109995012>

Information- and Downloadcenter (Catalogs, Brochures,...)

<https://www.siemens.com/ic10>

Industry Mall (Online ordering system)

<https://mall.industry.siemens.com/mall/en/en/Catalog/product?mlfb=3RF3403-1BD24>

Cax online generator

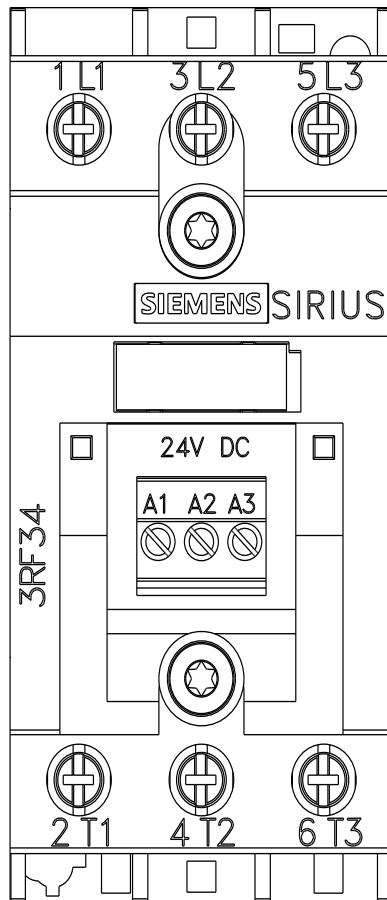
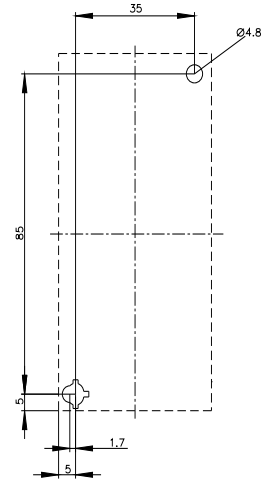
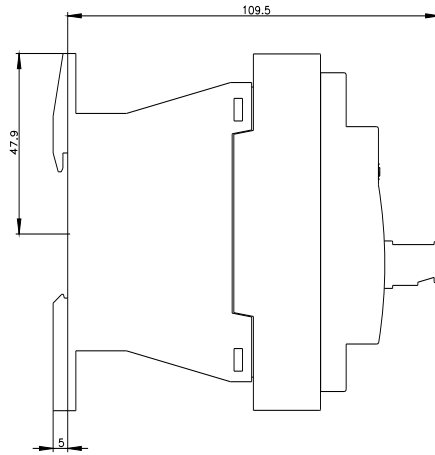
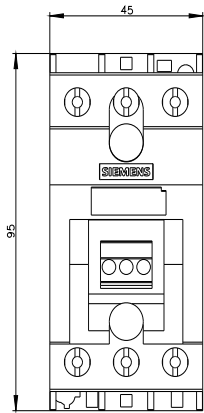
<https://support.automation.siemens.com/WW/CAXorder/default.aspx?lang=en&mlfb=3RF3403-1BD24>

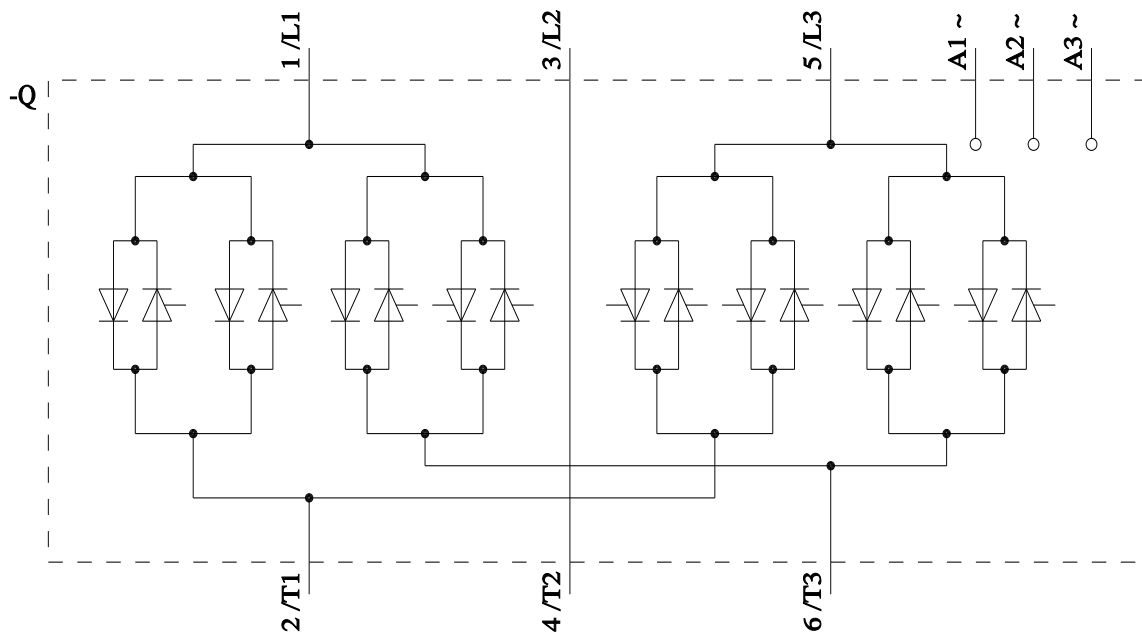
Service&Support (Manuals, Certificates, Characteristics, FAQs,...)

<https://support.industry.siemens.com/cs/ww/en/ps/3RF3403-1BD24>

Image database (product images, 2D dimension drawings, 3D models, device circuit diagrams, EPLAN macros, ...)

[https://www.automation.siemens.com/bilddb/cax\\_de.aspx?mlfb=3RF3403-1BD24&lang=en](https://www.automation.siemens.com/bilddb/cax_de.aspx?mlfb=3RF3403-1BD24&lang=en)





last modified:

4/21/2026 