



rotary operating mechanism, black 66x66 mm ground plate mounting Central hole mounting 22.5mm for shaft 6x6 mm, accessory for Load disconnecter 3LD3

Model	
product brand name	SENTRON
product designation	Rotary operators
design of the product	accessories for 3LD3 switch disconnectors
degree of protection NEMA rating	1, 3R, 4X, 12
suitability for use switch disconnecter	Yes
suitability for use circuit breaker	No
suitability for use EMERGENCY OFF switch	No
color	black
• of the actuating element	black
product feature can be locked in ON position	No
• Product component with axis	No
• product component restart inhibit function block	No
• product component padlock locking mechanism	No
• product component key lock	No
product feature can be locked into OFF position	Yes
number of bracket locks maximum	3
hasp thickness of the bracket locks	4 ... 8 mm
Net Weight	96 g

Approvals Certificates

Environment	General Product Approval	other
<a href="#">Environmental Con- firmations</a>		<a href="#">Confirmation</a>
<a href="#">Environmental Con- firmations</a>		<a href="#">Confirmation</a>

other



Further information

Information on the packaging  
<https://support.industry.siemens.com/cs/ww/en/view/109813875>  
 Information for data generation and storage  
<https://support.industry.siemens.com/cs/ww/en/view/109995012>

Information- and Downloadcenter (Catalogs, Brochures,...)

<https://www.siemens.com/lowvoltage/catalogs>

Industry Mall (Online ordering system)

<https://mall.industry.siemens.com/mall/en/en/Catalog/product?mifb=3LD9344-2C>

Service&Support (Manuals, Certificates, Characteristics, FAQs,...)

<https://support.industry.siemens.com/cs/ww/en/ps/3LD9344-2C>

Image database (product images, 2D dimension drawings, 3D models, device circuit diagrams, ...)

[https://www.automation.siemens.com/bilddb/cax\\_en.aspx?mifb=3LD9344-2C](https://www.automation.siemens.com/bilddb/cax_en.aspx?mifb=3LD9344-2C)

CAX-Online-Generator

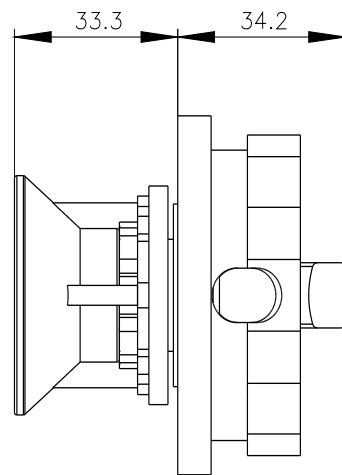
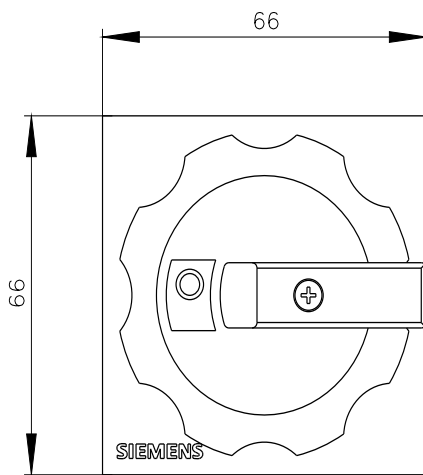
<https://www.siemens.com/cax>

Tender specifications

<https://www.siemens.com/specifications>

Characteristic curves

[https://curves.simaris.siemens.com/curves/<mmp\\_prod\\_noCOMP="HAUPT"></mmp\\_prod\\_no>](https://curves.simaris.siemens.com/curves/<mmp_prod_noCOMP=)



last modified:

10/25/2025 

