



SENTRON, Switch disconnecter 3LD, main switch, 6-pole, Iu: 32 A, Operating power / at AC-23 A at 400 V: 11.5 kW, molded-plastic encapsulation for metric cable gland, rotary operating mechanism, black

Model	
product brand name	SENTRON
product designation	Switch disconnecter
design of the product	Main switch
display version for switch position indicator manual operation	1 ON - 0 OFF
type of switch	Molded-plastic enclosure for metric threaded joint
design of the actuating element	Short rotary knob
color of the actuating element	black
design of handle	rotary operating mechanism, black
type of the driving mechanism motor drive	No
General technical data	
number of poles	6
number of poles note	PE + N
size of switch disconnecter	2
mechanical service life (operating cycles) typical	100 000
electrical endurance (operating cycles)	
• at AC-23 A at 690 V	6 000
operating frequency maximum	50 1/h
degree of pollution	3
Voltage	
insulation voltage rated value	690 V
surge voltage resistance rated value	6 kV
operating voltage	
• at AC rated value	690 V
operating frequency rated value	
• minimum	50 Hz
• maximum	60 Hz
Protection class	
protection class IP	IP65
degree of protection NEMA rating	1, 4X, 12
protection class IP on the front	IP65
Dissipation	
power loss [W] for rated value of the current at AC in hot operating state per pole	1.8 W
Main circuit	
operational current	
• at AC-21 at 690 V rated value	32 A
• at AC-21 A at 240 V rated value	32 A

<ul style="list-style-type: none"> <li>• at AC-21 A at 400 V rated value</li> </ul>	32 A
<ul style="list-style-type: none"> <li>• at AC-21 A at 440 V rated value</li> </ul>	32 A
<ul style="list-style-type: none"> <li>• at AC-23 A at 400 V rated value</li> </ul>	22 A
<b>operating power</b>	
<ul style="list-style-type: none"> <li>• at AC-23 A at 240 V rated value</li> </ul>	6 kW
<ul style="list-style-type: none"> <li>• at AC-23 A at 400 V rated value</li> </ul>	12 kW
<ul style="list-style-type: none"> <li>• at AC-23 A at 440 V rated value</li> </ul>	11.5 kW
<ul style="list-style-type: none"> <li>• at AC-23 A at 690 V rated value</li> </ul>	12 kW
<ul style="list-style-type: none"> <li>• at AC-3 at 240 V rated value</li> </ul>	5.5 kW
<ul style="list-style-type: none"> <li>• at AC-3 at 400 V rated value</li> </ul>	10 kW
<ul style="list-style-type: none"> <li>• at AC-3 at 690 V rated value</li> </ul>	9.5 kW
<b>Auxiliary circuit</b>	
number of CO contacts for auxiliary contacts	0
number of NC contacts for auxiliary contacts	0
number of NO contacts for auxiliary contacts	0
operating voltage of auxiliary contacts at AC maximum	500 V
continuous current of the auxiliary contact rated value	10 A
insulation voltage of the auxiliary switch rated value	500 V
<b>Suitability</b>	
suitability for use main switch	Yes
suitability for use switch disconnecter	Yes
suitability for use EMERGENCY OFF switch	No
suitability for use safety switch	Yes
suitability for use maintenance/repair switch	Yes
<b>Product details</b>	
product feature can be locked into OFF position	Yes
<b>Accessories</b>	
product extension optional	
<ul style="list-style-type: none"> <li>• motor drive</li> </ul>	No
<ul style="list-style-type: none"> <li>• voltage trigger</li> </ul>	No
number of connectable NC contacts for auxiliary contacts attachable maximum	3
number of connectable NO contacts for auxiliary contacts attachable maximum	5
number of connectable CO contacts for auxiliary contacts attachable maximum	0
number of bracket locks maximum	3
hasp thickness of the bracket locks	4 ... 8 mm
<b>Short circuit</b>	
conditional short-circuit current with line-side fuse protection	
<ul style="list-style-type: none"> <li>• at 690 V by gG fuse rated value</li> </ul>	50 kA
<b>let-through current with closed switch</b>	
<ul style="list-style-type: none"> <li>• at 240 V for combination switch + gG fuse maximum</li> </ul>	4.5 kA
<ul style="list-style-type: none"> <li>• at 440 V for combination switch + gG fuse maximum</li> </ul>	4.5 kA
<ul style="list-style-type: none"> <li>• at 690 V for combination switch + gG fuse maximum permissible</li> </ul>	5 kA
<b>I<sup>2</sup>t value with closed switch</b>	
<ul style="list-style-type: none"> <li>• at 240 V for combination switch + gG fuse maximum</li> </ul>	9 kA <sup>2</sup> ·s
<ul style="list-style-type: none"> <li>• at 440 V for combination switch + gG fuse maximum</li> </ul>	9 kA <sup>2</sup> ·s
<ul style="list-style-type: none"> <li>• at 690 V for combination switch + gG fuse maximum</li> </ul>	9 kA <sup>2</sup> ·s
<b>design of the fuse link</b>	
<ul style="list-style-type: none"> <li>• for short-circuit protection of the main circuit required</li> </ul>	fuse gL/gG: 40 A
<ul style="list-style-type: none"> <li>• for short-circuit protection of the auxiliary switch required</li> </ul>	fuse gL/gG: 10 A
operational current of upstream fuse rated value	40 A
<b>according UL</b>	
operational current at AC according to UL 508/UL 60947-4-1 rated value	32 A
operating voltage at AC at 50/60 Hz according to UL 508/UL 60947-4-1 rated value	600 V
active power [hp] at AC at 480 V according to UL 508/UL	20

<b>60947-4-1 rated value</b>	
<b>active power [hp] at AC at 600 V according to UL 508/UL 60947-4-1 rated value</b>	20
<b>short-time withstand current (SCCR) at 600 V according to UL 508/UL 60947-4-1</b>	5 kA
<b>continuous current of upstream fuse according to UL rated value</b>	80 A
<b>type of fuse according to UL</b>	RK5

### Connections

<b>AWG number as coded connectable conductor cross section solid maximum</b>	
•	8
•	14
<b>type of connectable conductor cross-sections for copper conductor</b>	
• solid	1x (1,5...16mm <sup>2</sup> )
• finely stranded with core end processing	1x (1,5...10mm <sup>2</sup> )
• stranded	1x (1,5...16mm <sup>2</sup> )
<b>type of connectable conductor cross-sections for auxiliary contacts</b>	
• solid	lateral auxiliary switch 2x (0,75 ... 2,5mm <sup>2</sup> ), 1x 4mm <sup>2</sup> ; front auxiliary switch 1x (0,75 ... 2,5mm <sup>2</sup> )
• finely stranded with core end processing	lateral auxiliary switch 2x (0,75 ... 1,5mm <sup>2</sup> ), 1x 2,5mm <sup>2</sup> ; front auxiliary switch 1x 2,5mm <sup>2</sup>
• stranded	lateral auxiliary switch 2x (0,75 ... 2,5mm <sup>2</sup> ), 1x 4mm <sup>2</sup> ; front auxiliary switch 1x (0,75 ... 2,5mm <sup>2</sup> )
<b>type of electrical connection</b>	
• for main current circuit	box terminal
• for auxiliary contacts	connection terminals

### Mechanical Design

<b>height</b>	188 mm
<b>width</b>	146 mm
<b>depth</b>	149 mm
<b>type of device</b>	fixed mounting
<b>fastening method</b>	Complete unit in enclosure
<b>fastening method</b>	
• 4-hole front mounting	No
• front mounting with central attachment	Yes
• rail mounting	No
<b>Net Weight</b>	855 g

### Environmental conditions

<b>ambient temperature during operation</b>	
• minimum	-25 °C
• maximum	55 °C
<b>ambient temperature during storage</b>	
• minimum	-25 °C
• maximum	55 °C

### Approvals Certificates

<b>Environment</b>	<b>General Product Approval</b>
--------------------	---------------------------------

[Environmental Con-  
firmations](#)

[Environmental Con-  
firmations](#)



[Miscellaneous](#)

<b>General Product Approval</b>	<b>Test Certificates</b>	<b>Maritime application</b>
---------------------------------	--------------------------	-----------------------------



[Confirmation](#)



[Miscellaneous](#)



[Confirmation](#)



Further information

Information on the packaging

<https://support.industry.siemens.com/cs/ww/en/view/109813875>

Information for data generation and storage

<https://support.industry.siemens.com/cs/ww/en/view/109995012>

Information- and Downloadcenter (Catalogs, Brochures,...)

<https://www.siemens.com/lowvoltage/catalogs>

Industry Mall (Online ordering system)

<https://mall.industry.siemens.com/mall/en/en/Catalog/product?mlfb=3LD2265-3VB51>

Service&Support (Manuals, Certificates, Characteristics, FAQs,...)

<https://support.industry.siemens.com/cs/ww/en/ps/3LD2265-3VB51>

Image database (product images, 2D dimension drawings, 3D models, device circuit diagrams, ...)

[https://www.automation.siemens.com/bilddb/cax\\_en.aspx?mlfb=3LD2265-3VB51](https://www.automation.siemens.com/bilddb/cax_en.aspx?mlfb=3LD2265-3VB51)

CAX-Online-Generator

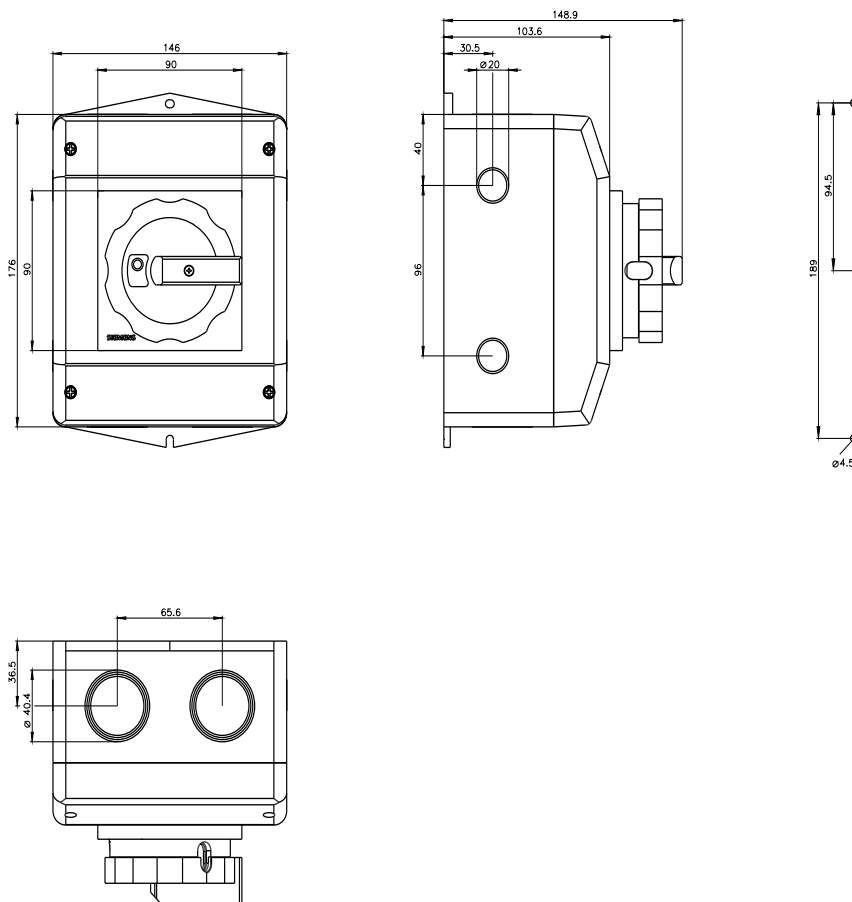
<https://www.siemens.com/cax>

Tender specifications

<https://www.siemens.com/specifications>

Characteristic curves

[https://curves.simaris.siemens.com/curves/<mmp\\_prod\\_noCOMP='HAUPT'></mmp\\_prod\\_no>](https://curves.simaris.siemens.com/curves/<mmp_prod_noCOMP='HAUPT'></mmp_prod_no>)





last modified:

10/14/2025

