



metric cable gland M20 with hexagon nut for enclosure



product brand name	SIRIUS ACT	
product designation	Metric cable gland	
design of the product	M20 for round cable and enclosures with 1 to 3 command points	
product type designation	3SU1	
<b>Enclosure</b>		
cable sheath diameter connectable	5 ... 12 mm	
<b>General technical data</b>		
protection class IP	IP66, IP67, IP69(IP69K)	
Substance Prohibitance (Date)	10/01/2014	
Net Weight	15 g	
<b>Ambient conditions</b>		
ambient temperature		
• during operation	-25 ... +70 °C	
• during storage and transport	-40 ... +80 °C	
<b>Installation/ mounting/ dimensions</b>		
height	29.7 mm	
width	29.7 mm	
mounting height	31 mm	
installation depth	13 mm	
<b>Accessories</b>		
material of accessory	Plastic	
color of accessory	black	
<b>Approvals Certificates</b>		
Environmental Product Declaration		
• global warming potential [CO2 eq] / during manufacturing	0.566 kg	
• global warming potential [CO2 eq] / during operation	0.235 kg	
• global warming potential [CO2 eq] / after end of life	-0.0145 kg	
• global warming potential [CO2 eq] / total	0.787 kg	
Environment	General Product Approval	Maritime application
<a href="#">Environmental Confirmations</a>		
Maritime application	other	



[Confirmation](#)

#### Further information

**Information on the packaging**

<https://support.industry.siemens.com/cs/ww/en/view/109813875>

**Information for data generation and storage**

<https://support.industry.siemens.com/cs/ww/en/view/109995012>

**Information- and Downloadcenter (Catalogs, Brochures,...)**

<https://www.siemens.com/ic10>

**Industry Mall (Online ordering system)**

<https://mall.industry.siemens.com/mall/en/en/Catalog/product?mlfb=3SU1900-0HG10-0AA0>

**Cax online generator**

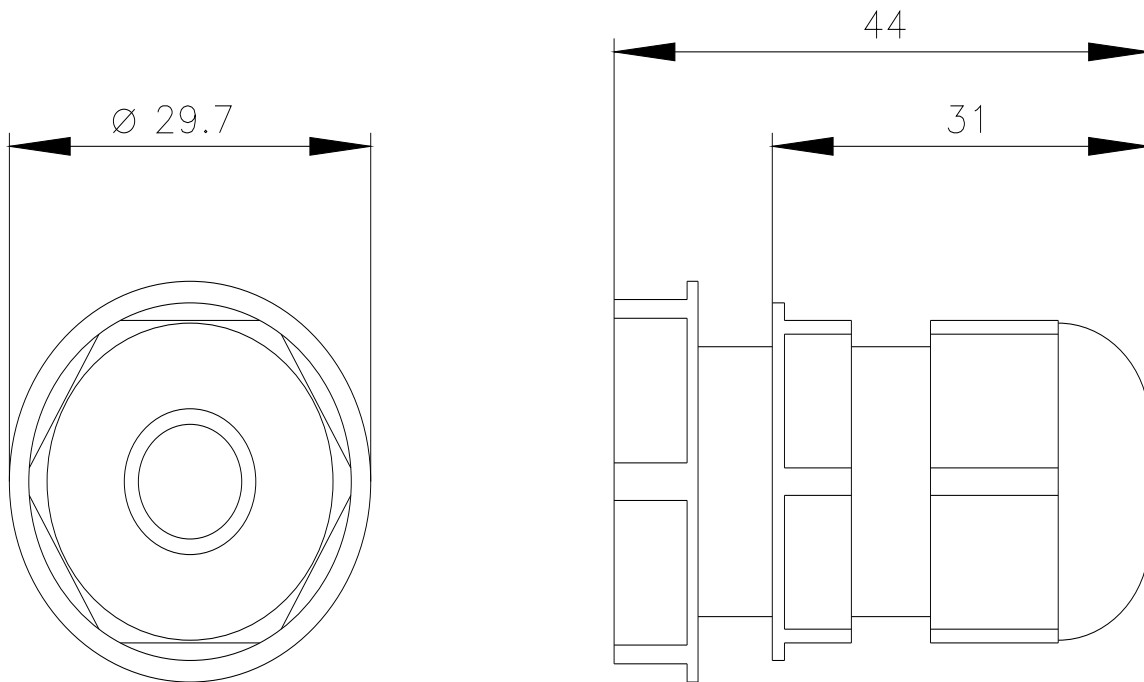
<https://support.automation.siemens.com/WW/CAXorder/default.aspx?lang=en&mlfb=3SU1900-0HG10-0AA0>

**Service&Support (Manuals, Certificates, Characteristics, FAQs,...)**

<https://support.industry.siemens.com/cs/ww/en/ps/3SU1900-0HG10-0AA0>

**Image database (product images, 2D dimension drawings, 3D models, device circuit diagrams, EPLAN macros, ...)**

[https://www.automation.siemens.com/bilddb/cax\\_de.aspx?mlfb=3SU1900-0HG10-0AA0&lang=en](https://www.automation.siemens.com/bilddb/cax_de.aspx?mlfb=3SU1900-0HG10-0AA0&lang=en)



last modified:

4/2/2025