



cable-operated switch metal enclosure, 2 x M20 x 1.5; 1 NO+1 NC, latching EN ISO 13850 and key-operated release, for wire lengths up to 20 m

product brand name	SIRIUS
product designation	cable-operated switch
product type designation	3SE7
General technical data	
product function EMERGENCY STOP function	Yes
product component light source	No
insulation voltage rated value	400 V
degree of pollution	class 3
surge voltage resistance rated value	6 kV
protection class IP	IP54
mechanical service life (operating cycles) typical	100 000
thermal current	6 A
reference code according to IEC 81346-2	S
continuous current of the DIAZED fuse link gG	6 A
Substance Prohibitance (Date)	07/01/2006
Net Weight	0.513 kg
Ambient conditions	
ambient temperature during operation	-25 ... +70 °C
number of NC contacts for auxiliary contacts	1
number of NO contacts for auxiliary contacts	1
operational current at AC-15	
• at 240 V rated value	6 A
• at 400 V rated value	6 A
operational current at DC-13	
• at 24 V rated value	3 A
• at 250 V rated value	0.27 A
Enclosure	
material of the enclosure	metal
material of the enclosure cover	Plastic
product component EMERGENCY STOP device	No
color	
• of the enclosure	black
• of the enclosure top part	grey
coating of the enclosure	painted
Display	
product function status display	Yes
circuit principle	Jump function
material of the contact	Silver
number of switching contacts safety-related	1

cable entry type	2x M20 x 1,5		
Installation/ mounting/ dimensions			
fastening method	screw fixing		
height	171 mm		
width	52 mm		
depth	90 mm		
Connections/ Terminals			
type of electrical connection	screw terminal		
type of connectable conductor cross-sections	<ul style="list-style-type: none"> • solid 2x (0.5 ... 2.5 mm²) • finely stranded with core end processing 2x (0.5 ... 2.5 mm²) • for AWG cables solid 2x (20 ... 14) • for AWG cables stranded 2x (20 ... 14) 		
Safety related data			
proportion of dangerous failures with high demand rate according to SN 31920	50 %		
B10 value with high demand rate according to SN 31920	100 000		
Approvals Certificates			
General Product Approval	other	Environment	



[Confirmation](#)

[Environmental Confirmations](#)

Further information

Information on the packaging

<https://support.industry.siemens.com/cs/ww/en/view/109813875>

Information for data generation and storage

<https://support.industry.siemens.com/cs/ww/en/view/109995012>

Information- and Downloadcenter (Catalogs, Brochures,...)

<https://www.siemens.com/ic10>

Industry Mall (Online ordering system)

<https://mall.industry.siemens.com/mall/en/en/Catalog/product?mlfb=3SE7150-1CD00>

Cax online generator

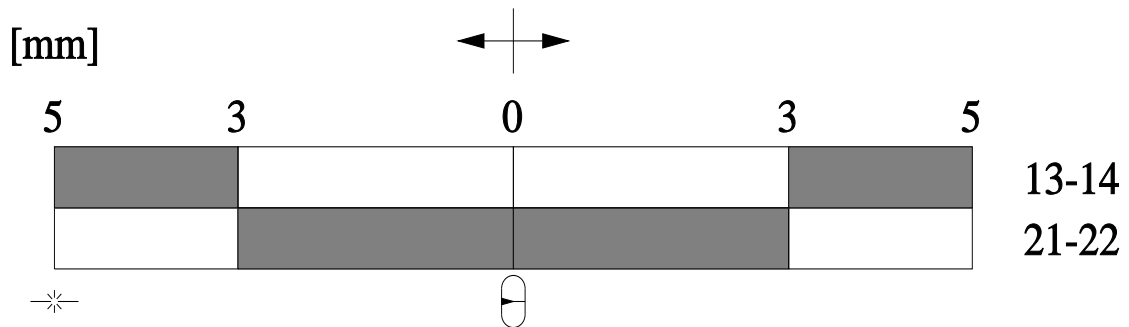
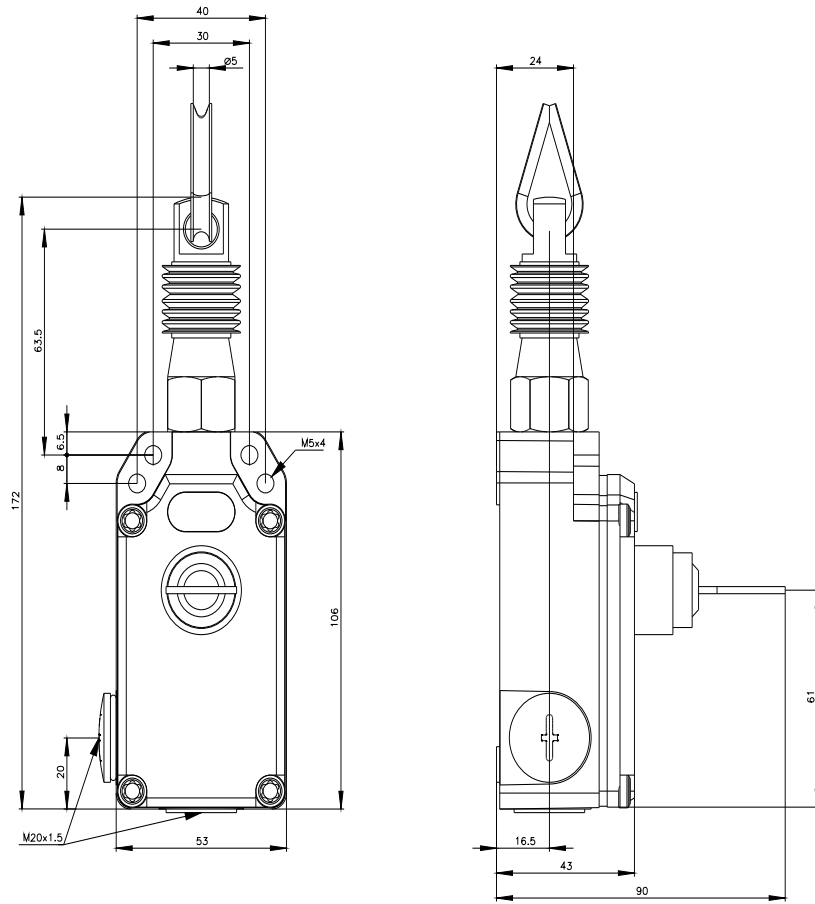
<https://support.automation.siemens.com/WW/CAXorder/default.aspx?lang=en&mlfb=3SE7150-1CD00>

Service&Support (Manuals, Certificates, Characteristics, FAQs,...)

<https://support.industry.siemens.com/cs/ww/en/ps/3SE7150-1CD00>

Image database (product images, 2D dimension drawings, 3D models, device circuit diagrams, EPLAN macros, ...)

https://www.automation.siemens.com/bilddb/cax_de.aspx?mlfb=3SE7150-1CD00&lang=en



➔ **Betätigungsrichtung / Travel**

⊕ **Mittelstellung / Middle position**

✱ **Seilriss / Rope rip**

■ **Schaltglied geschlossen / Contact element closed**

□ **Schaltglied geöffnet / Contact element open**

