



Position switch Metal enclosure according to EN 50047, 31 mm Device connection 1 x (M20 x 1.5) 1 NO/2 NC quick action contacts Angular roller lever with plastic roller 13 mm

| | |
|---|---|
| product brand name | SIRIUS |
| product designation | Mechanical position switches |
| product type designation | 3SE5 |
| manufacturer's article number | |
| <ul style="list-style-type: none"> • of the supplied actuator head for position switches • of the supplied switching contacts • of the supplied empty enclosure with cover | 3SE5000-0AF10 3SE5000-0LA00 3SE5212-0AC05 |
| suitability for use safety switch | Yes |
| General technical data | |
| product function positive opening | Yes |
| insulation voltage rated value | 400 V |
| degree of pollution | class 3 |
| surge voltage resistance rated value | 6 kV |
| protection class IP | IP66/IP67 |
| shock resistance | |
| <ul style="list-style-type: none"> • according to IEC 60068-2-27 | 30 g / 11 ms |
| vibration resistance | |
| <ul style="list-style-type: none"> • according to IEC 60068-2-6 | 0.35 mm/5 g |
| mechanical service life (operating cycles) typical | 15 000 000 |
| electrical endurance (operating cycles) at AC-15 at 230 V typical | 100 000 |
| thermal current | 10 A |
| material of the enclosure of the switch head | metal |
| reference code according to IEC 81346-2 | B |
| continuous current of the C characteristic MCB | 1 A; for a short-circuit current smaller than 400 A |
| continuous current of the quick DIAZED fuse link | 10 A; for a short-circuit current smaller than 400 A |
| continuous current of the DIAZED fuse link gG | 6 A |
| active principle | mechanical |
| repeat accuracy | 0.05 mm |
| Substance Prohibitance (Date) | 07/01/2006 |
| SVHC substance name | Imidazolidine-2-thione (2-imidazoline-2-thiol) CAS-No. 96-45-7 |
| Net Weight | 0.205 kg |
| minimum actuating force in directions of actuation | 10 N |
| length of the sensor | 90.5 mm |
| width of the sensor | 31 mm |
| Ambient conditions | |
| ambient temperature | |
| <ul style="list-style-type: none"> • during operation • during storage | -25 ... +85 °C -40 ... +90 °C |
| explosion protection category for dust | none |

| Main circuit | |
|--|---|
| design of the switching contact | mechanical |
| operating frequency rated value | 50 ... 60 Hz |
| number of NC contacts for auxiliary contacts | 2 |
| number of NO contacts for auxiliary contacts | 1 |
| operational current at AC-15 | |
| • at 24 V rated value | 6 A |
| • at 120 V rated value | 6 A |
| • at 240 V rated value | 6 A |
| • at 400 V rated value | 4 A |
| operational current at DC-13 | |
| • at 24 V rated value | 3 A |
| • at 125 V rated value | 0.55 A |
| • at 250 V rated value | 0.27 A |
| • at 400 V rated value | 0.12 A |
| Enclosure | |
| design of the housing | block, narrow |
| material of the enclosure | metal |
| coating of the enclosure | cathodic dip coating |
| design of the housing according to standard | Yes |
| Drive Head | |
| design of the actuating element | Roller lever, metal lever, plastic roller |
| standard-compliant actuator head | EN 50047 |
| shape of the switch head | roller |
| design of the switching function | positive opening |
| circuit principle | snap-action contacts |
| number of switching contacts safety-related | 2 |
| cable entry type | 1x (M20 x 1.5) |
| Installation/ mounting/ dimensions | |
| mounting position | any |
| fastening method | screw fixing |
| Connections/ Terminals | |
| type of electrical connection | screw terminal |
| type of connectable conductor cross-sections | |
| • solid | 1x (0.5 ... 1.5 mm ²), 2x (0.5 ... 0.75 mm ²) |
| • finely stranded with core end processing | 1x (0.5 ... 1.5 mm ²), 2x (0.5 ... 0.75 mm ²) |
| • for AWG cables solid | 1x (20 ... 16), 2x (20 ... 18) |
| • for AWG cables stranded | 1x (20 ... 16), 2x (20 ... 18) |
| design of the interface for safety-related communication | without |
| Communication/ Protocol | |
| design of the interface | without |
| Safety related data | |
| product function suitable for safety function | Yes |
| service life maximum | 20 a |
| test wear-related service life necessary | Yes |
| proportion of dangerous failures | |
| • with low demand rate according to SN 31920 | 20 % |
| • with high demand rate according to SN 31920 | 20 % |
| B10 value with high demand rate according to SN 31920 | 1 000 000 |
| failure rate [FIT] with low demand rate according to SN 31920 | 100 FIT |
| ISO 13849 | |
| device type according to ISO 13849-1 | 3 |
| IEC 61508 | |
| safety device type according to IEC 61508-2 | A |
| Approvals Certificates | |
| General Product Approval | Test Certificates |



[Type Test Certificates/Test Report](#)

other

Environment

[Confirmation](#)

[Confirmation](#)



[Environmental Confirmations](#)



Further information

Information on the packaging

<https://support.industry.siemens.com/cs/ww/en/view/109813875>

Information for data generation and storage

<https://support.industry.siemens.com/cs/ww/en/view/109995012>

Information- and Downloadcenter (Catalogs, Brochures,...)

<https://www.siemens.com/ic10>

Industry Mall (Online ordering system)

<https://mall.industry.siemens.com/mall/en/en/Catalog/product?mlfb=3SE5212-0LF10>

Cax online generator

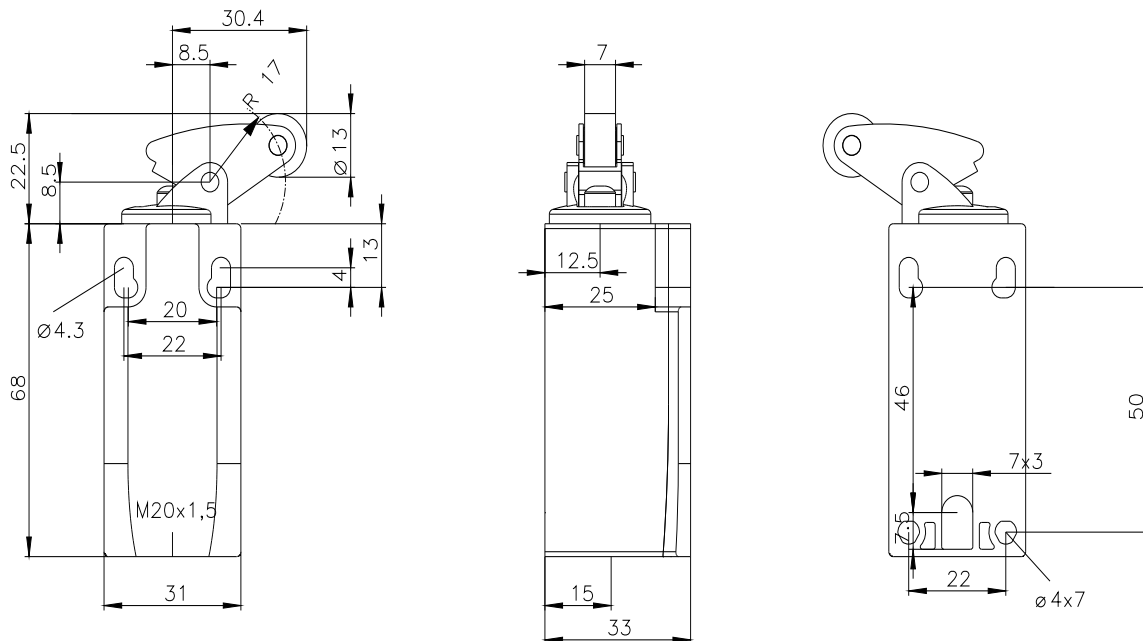
<https://support.automation.siemens.com/WW/CAXorder/default.aspx?lang=en&mlfb=3SE5212-0LF10>

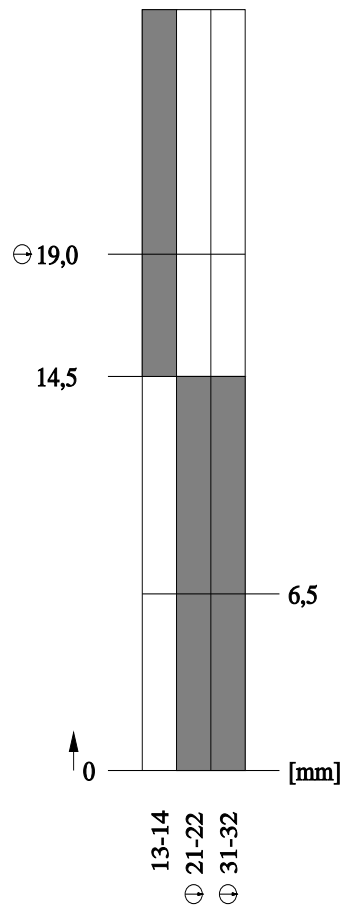
Service&Support (Manuals, Certificates, Characteristics, FAQs,...)

<https://support.industry.siemens.com/cs/ww/en/ps/3SE5212-0LF10>

Image database (product images, 2D dimension drawings, 3D models, device circuit diagrams, EPLAN macros, ...)

https://www.automation.siemens.com/bilddb/cax_de.aspx?mlfb=3SE5212-0LF10&lang=en





last modified:

4/4/2026