

momentary-contact foot switch, 2-pedal with cover, without latching, metal enclosure IP65, cable entry M25 x 1.5 slow-action contacts 2 NO+2 NC per pedal



product brand name	SIRIUS
product designation	momentary-contact foot switch
product type designation	3SE29
suitability for use safety switch	No
General technical data	
protection class IP	IP65
mechanical service life (operating cycles) typical	1 000 000
reference code according to IEC 81346-2	S
Substance Prohibitance (Date)	07/01/2006
SVHC substance name	Lead CAS-No. 7439-92-1
Net Weight	2.954 kg
number of switching steps	1
number of the actuation pedals	2
minimum actuating force in directions of actuation	20 N
Ambient conditions	
ambient temperature during operation	-25 ... +80 °C
number of NC contacts for auxiliary contacts	1
number of NO contacts for auxiliary contacts	1
operational current at AC-15	
• at 230 V rated value	6 A
• at 400 V rated value	6 A
operational current at DC-13	
• at 24 V rated value	3 A
• at 250 V rated value	0.25 A
Enclosure	
material of the enclosure	metal
color	
• of the enclosure	black
• of the enclosure top part	grey
Actuator	
product feature	
• interlock	No
• latching	No
cable entry type	M25 x 1.5
Installation/ mounting/ dimensions	
height	140 mm
width	284 mm
depth	267 mm
Safety related data	

proportion of dangerous failures	
• with low demand rate according to SN 31920	50 %
• with high demand rate according to SN 31920	50 %
B10 value with high demand rate according to SN 31920	1 000 000
failure rate [FIT] with low demand rate according to SN 31920	100 FIT
IEC 61508	
T1 value for proof test interval or service life according to IEC 61508	20 a

Approvals Certificates

General Product Approval	Test Certificates
---------------------------------	--------------------------



[Miscellaneous](#)

Maritime application	other	Environment
-----------------------------	--------------	--------------------



[Confirmation](#)

[Confirmation](#)



[Environmental Confirmations](#)

Further information

Information on the packaging

<https://support.industry.siemens.com/cs/ww/en/view/109813875>

Information for data generation and storage

<https://support.industry.siemens.com/cs/ww/en/view/109995012>

Information- and Downloadcenter (Catalogs, Brochures,...)

<https://www.siemens.com/ic10>

Industry Mall (Online ordering system)

<https://mall.industry.siemens.com/mall/en/en/Catalog/product?mlfb=3SE2932-1AA20>

Cax online generator

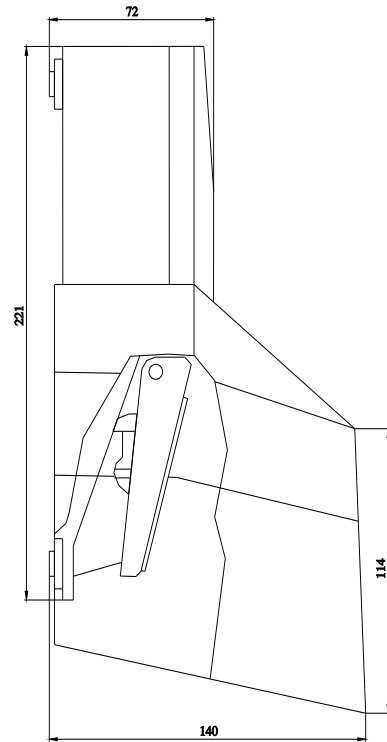
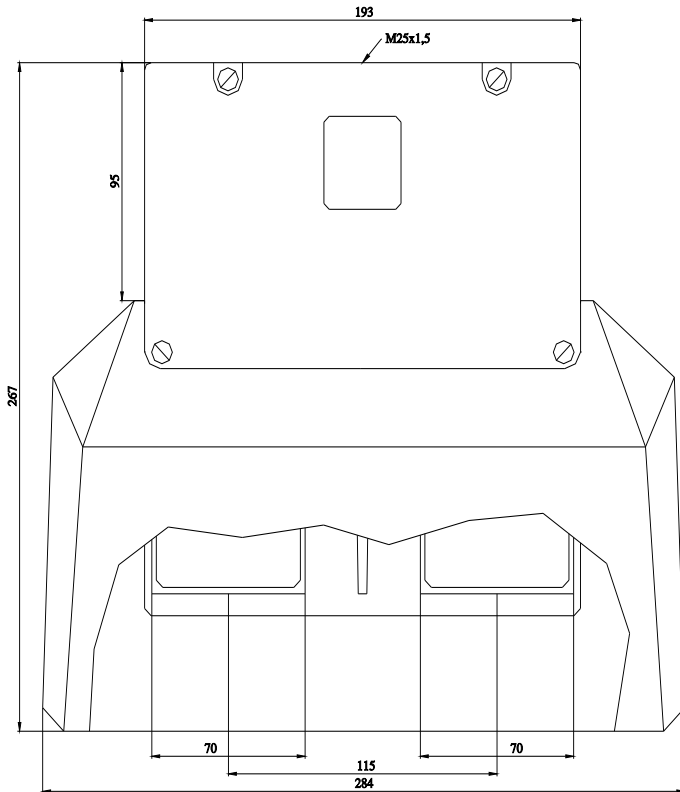
<https://support.automation.siemens.com/WW/CAXorder/default.aspx?lang=en&mlfb=3SE2932-1AA20>

Service&Support (Manuals, Certificates, Characteristics, FAQs,...)

<https://support.industry.siemens.com/cs/ww/en/ps/3SE2932-1AA20>

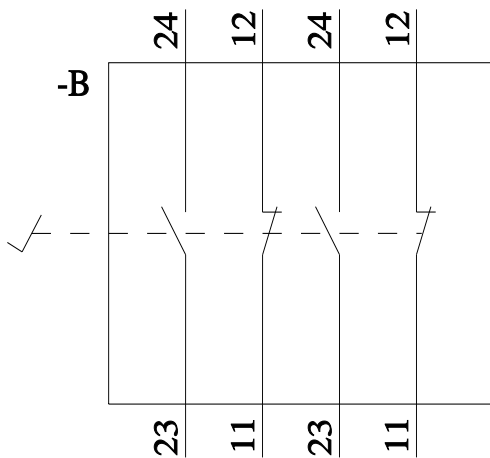
Image database (product images, 2D dimension drawings, 3D models, device circuit diagrams, EPLAN macros, ...)

https://www.automation.siemens.com/bilddb/cax_de.aspx?mlfb=3SE2932-1AA20&lang=en



Pedal 1

A B



Pedal 2

A B

