



molded-plastic enclosure for surface mounting degree of protection IP55 with N and PE terminal can be locked in O position 72 mm with metric cable bushing no UL/CSA approval

Figure similar

product brand name	SIRIUS
product category	Enclosure
product designation	Molded-plastic enclosure for surface mounting
design of the product	Assembly
product type designation	3RV19

General technical data	
product function EMERGENCY OFF function	No
protection class IP of the enclosure	IP55
Substance Prohibittance (Date)	07/01/2006
Net Weight	0.338 kg
material of the enclosure	plastic

Installation/ mounting/ dimensions	
height	155 mm
width	105 mm
depth	126 mm

Approvals Certificates			
Environment	General Product Approval	Maritime application	other

[Environmental Confirmations](#)



[Confirmation](#)

other

[Miscellaneous](#)

Further information

Information on the packaging
<https://support.industry.siemens.com/cs/ww/en/view/109813875>
 Information for data generation and storage
<https://support.industry.siemens.com/cs/ww/en/view/109995012>
 Information- and Downloadcenter (Catalogs, Brochures,...)
<https://www.siemens.com/ic10>
 Industry Mall (Online ordering system)
<https://mall.industry.siemens.com/mall/en/en/Catalog/product?mlfb=3RV1923-1DA00>

Cax online generator

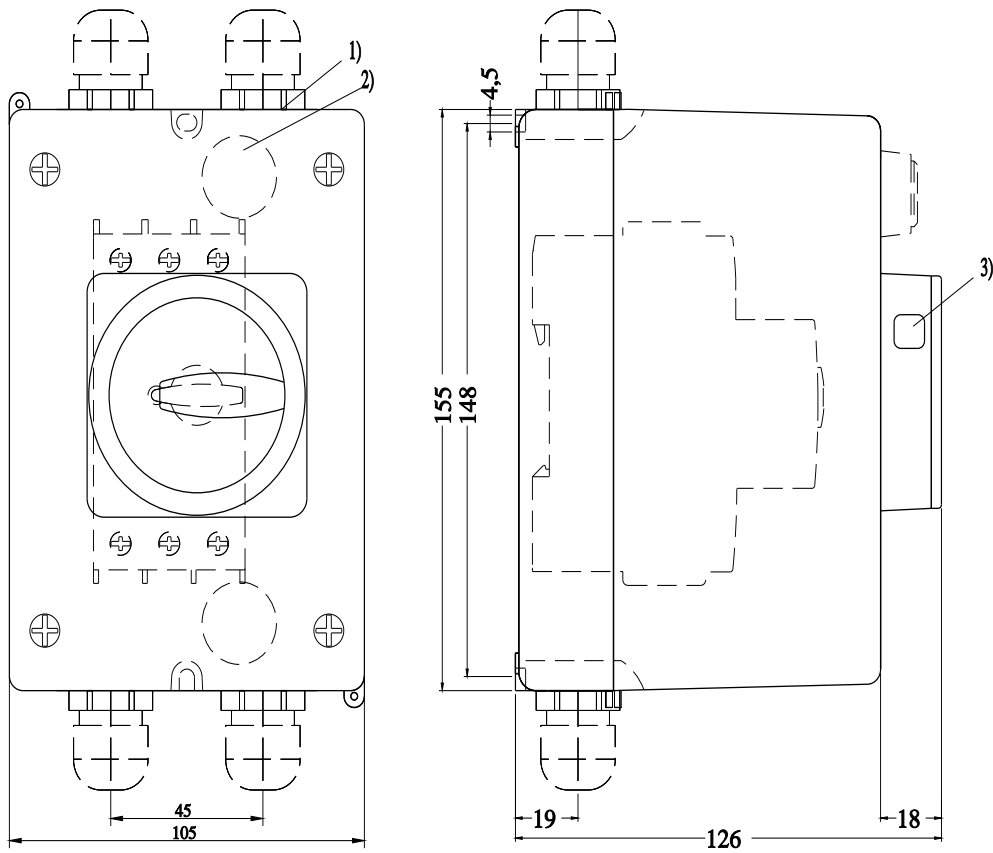
<https://support.automation.siemens.com/WW/CAXorder/default.aspx?lang=en&mlfb=3RV1923-1DA00>

Service&Support (Manuals, Certificates, Characteristics, FAQs,...)

<https://support.industry.siemens.com/cs/ww/en/ps/3RV1923-1DA00>

Image database (product images, 2D dimension drawings, 3D models, device circuit diagrams, EPLAN macros, ...)

https://www.automation.siemens.com/bilddb/cax_de.aspx?mlfb=3RV1923-1DA00&lang=en



last modified:

10/18/2025