



Electronic remote reset 220...250 V AC/DC for 3RU Size S00...S3

product brand name	SIRIUS
product category	Reset modules
product designation	Electric reset
design of the product	Electrical Remote RESET
product type designation	3RU19
General technical data	
size of overload relay	S00, S0, S2, S3
apparent power consumption at AC at 50/60 Hz maximum	80 VA
consumed active power at DC maximum	70 W
operating frequency maximum	60 1/h
minimum ON period	0.2 ms
Substance Prohibitance (Date)	07/01/2006
Net Weight	0.056 kg
type of voltage of the control supply voltage	AC/DC
control supply voltage 1 at AC	
• at 50 Hz	220 ... 250 V
• at 60 Hz	220 ... 250 V
control supply voltage frequency	
• 1 rated value	50 Hz
• 2 rated value	60 Hz
control supply voltage 1 at DC	220 ... 250 V
Ambient conditions	
ambient temperature	
• during operation	-20 ... +70 °C
• during storage	-50 ... +80 °C
Connections/ Terminals	
type of electrical connection for auxiliary and control circuit	screw-type terminals
connectable conductor cross-section for auxiliary contacts	
• solid or stranded	0.5 ... 2.5 mm ²
• finely stranded with core end processing	0.5 ... 2.5 mm ²
type of connectable conductor cross-sections for auxiliary contacts	
• solid	2x (0.5 ... 1.5 mm ²), 2x (0.75 ... 2.5 mm ²)
• finely stranded with core end processing	2x (0.5 ... 1.5 mm ²), 2x (0.75 ... 2.5 mm ²)
Approvals Certificates	
Environment	General Product Approval
	Maritime application



Maritime application other



[Confirmation](#)

Further information

Information on the packaging

<https://support.industry.siemens.com/cs/ww/en/view/109813875>

Information for data generation and storage

<https://support.industry.siemens.com/cs/ww/en/view/109995012>

Information- and Downloadcenter (Catalogs, Brochures,...)

<https://www.siemens.com/ic10>

Industry Mall (Online ordering system)

<https://mall.industry.siemens.com/mall/en/en/Catalog/product?mlfb=3RU1900-2AM71>

Cax online generator

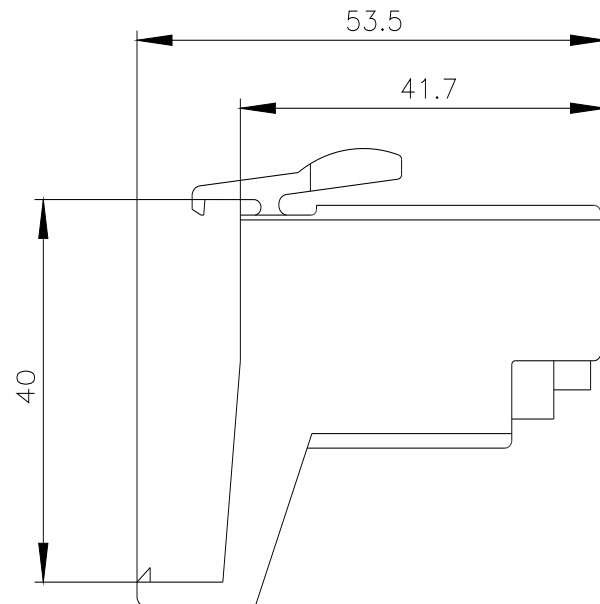
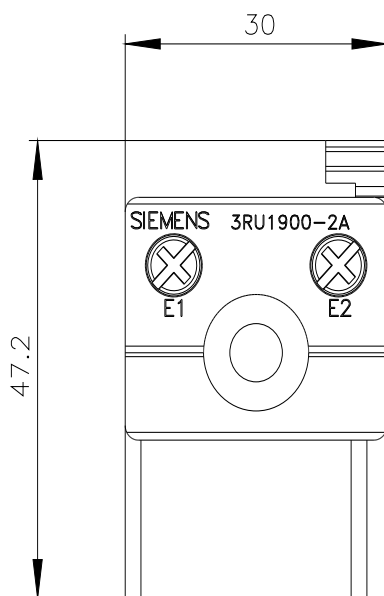
<https://support.automation.siemens.com/WW/CAXorder/default.aspx?lang=en&mlfb=3RU1900-2AM71>

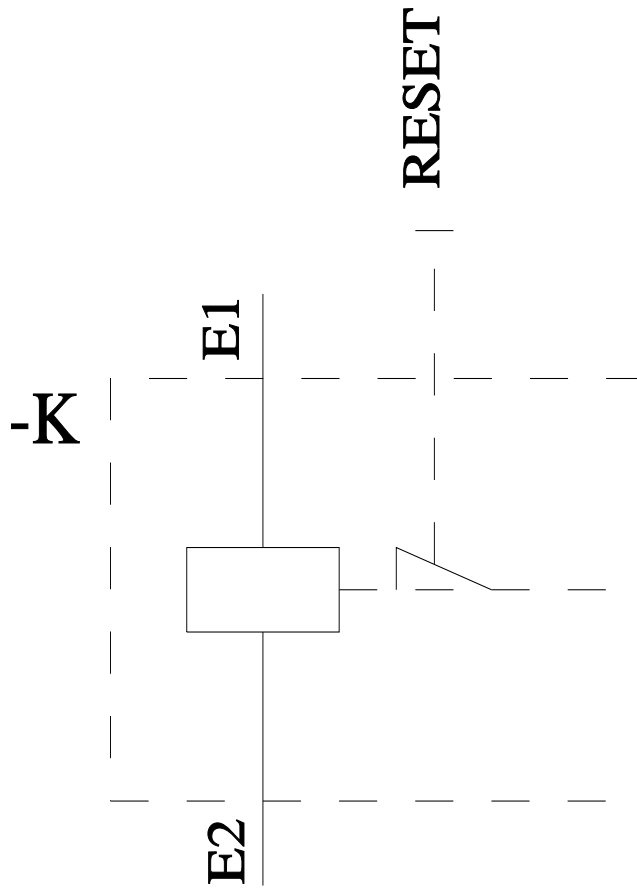
Service&Support (Manuals, Certificates, Characteristics, FAQs,...)

<https://support.industry.siemens.com/cs/ww/en/ps/3RU1900-2AM71>

Image database (product images, 2D dimension drawings, 3D models, device circuit diagrams, EPLAN macros, ...)

https://www.automation.siemens.com/bilddb/cax_de.aspx?mlfb=3RU1900-2AM71&lang=en





last modified:

3/21/2026 