



AS-Interface Addressing unit V3.0 for setting the addresses of AS-i slave modules Input/output test and further functions AS-i specification V3.0 M12 connection socket with addressing cable 1.5 m (M12 connector/hollow plug) with batteries (4 x 1.5 V LR6)

General technical data		
design of the product		AS-Interface addressing unit
other information		storage temperature without batteries
Ambient conditions		
ambient temperature		
• during operation	°C	0 ... 55
• during storage	°C	-20 ... +55
Mechanical data		
width	mm	84
height	mm	195
depth	mm	35
Certificates/ approvals		
General Product Approval	Maritime application	Environment



[Environmental Conformations](#)

### Further information

Information on the packaging

<https://support.industry.siemens.com/cs/ww/en/view/109813875>

Information for data generation and storage

<https://support.industry.siemens.com/cs/ww/en/view/109995012>

Information- and Downloadcenter (Catalogs, Brochures,...)

<https://www.siemens.com/ic10>

Industry Mall (Online ordering system)

<https://mall.industry.siemens.com/mall/en/en/Catalog/product?mlfb=3RK1904-2AB02>

Cax online generator

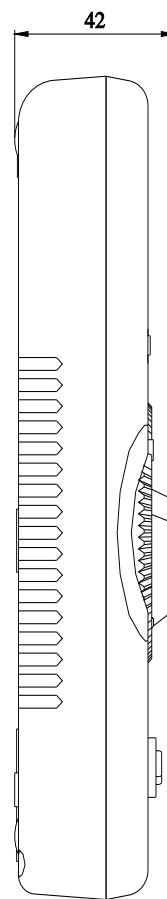
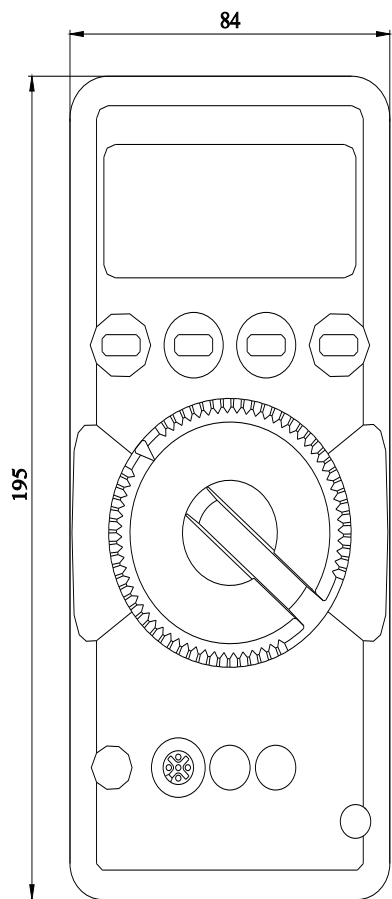
<https://support.automation.siemens.com/WW/CAXorder/default.aspx?lang=en&mlfb=3RK1904-2AB02>

Service&Support (Manuals, Certificates, Characteristics, FAQs,...)

<https://support.industry.siemens.com/cs/ww/en/ps/3RK1904-2AB02>

Image database (product images, 2D dimension drawings, 3D models, device circuit diagrams, EPLAN macros, ...)

[https://www.automation.siemens.com/bilddb/cax\\_de.aspx?mlfb=3RK1904-2AB02&lang=en](https://www.automation.siemens.com/bilddb/cax_de.aspx?mlfb=3RK1904-2AB02&lang=en)



last modified:

11/20/2025 