

Supplementary handle for door mounted rotary operating mechanism, Standard, up to 30A accessory for molded case switch 3LD5 UL



Model	
product brand name	SETRON
product designation	Supplementary handle for door mounted rotary operator
design of the product	accessories for 3LD50 switch disconnectors
product feature can be locked into OFF position	Yes
Accessories	
accessories	standard
Mechanical Design	
Net Weight	66 g
Approvals Certificates	
Environment	General Product Approval

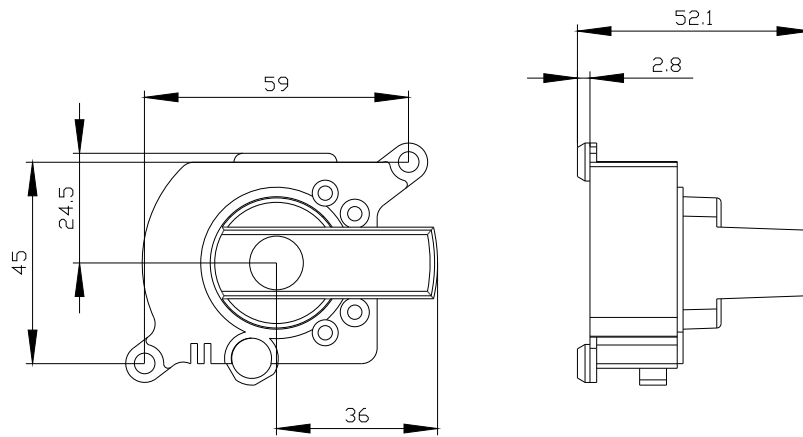
[Environmental Con-
firmations](#)

[Environmental Con-
firmations](#)



Further information

- Information on the packaging
<https://support.industry.siemens.com/cs/ww/en/view/109813875>
- Information for data generation and storage
<https://support.industry.siemens.com/cs/ww/en/view/109995012>
- Information- and Downloadcenter (Catalogs, Brochures,...)
<https://www.siemens.com/lowvoltage/catalogs>
- Industry Mall (Online ordering system)
<https://mall.industry.siemens.com/mall/en/en/Catalog/product?mlfb=3LD9287-1C>
- Service&Support (Manuals, Certificates, Characteristics, FAQs,...)
<https://support.industry.siemens.com/cs/ww/en/ps/3LD9287-1C>
- Image database (product images, 2D dimension drawings, 3D models, device circuit diagrams, ...)
https://www.automation.siemens.com/bilddb/cax_en.aspx?mlfb=3LD9287-1C
- CAx-Online-Generator
<https://www.siemens.com/cax>
- Tender specifications
<https://www.siemens.com/specifications>
- Characteristic curves
[https://curves.simaris.siemens.com/curves/<mmp_prod_noCOMP="HAUPT"></mmp_prod_no>](https://curves.simaris.siemens.com/curves/<mmp_prod_noCOMP=)



last modified:

4/12/2025 

