




Emergency switching-off handle with lock latching unlatch using key for enclosure 3RV1913

| | |
|---|----------------------------------|
| product designation | EMERGENCY OFF mushroom with lock |
| General technical data | |
| product function EMERGENCY OFF function | Yes |
| protection class IP of the enclosure | IP55 |
| Substance Prohibitation (Date) | 07/01/2006 |
| Net Weight | 0.131 kg |
| Installation/ mounting/ dimensions | |
| depth | 84 mm |

Approvals Certificates

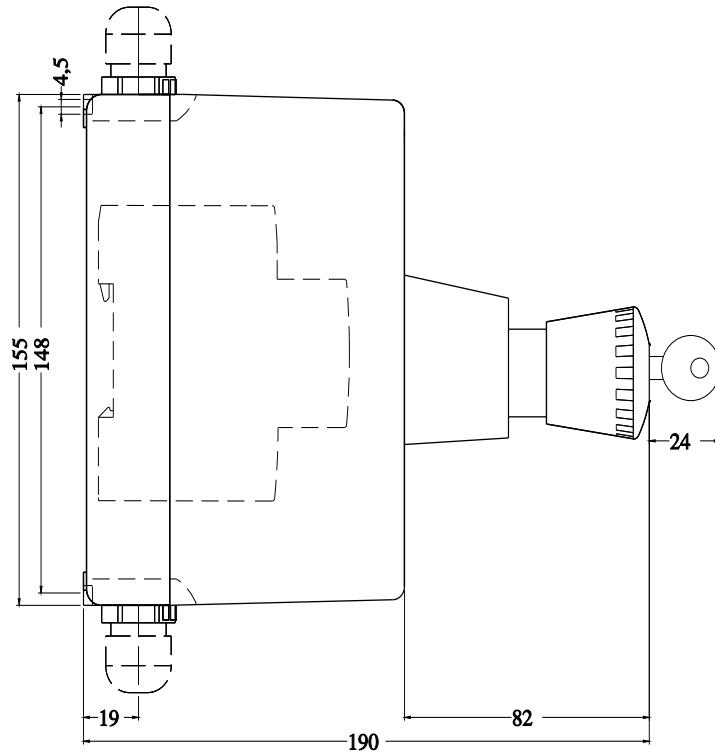
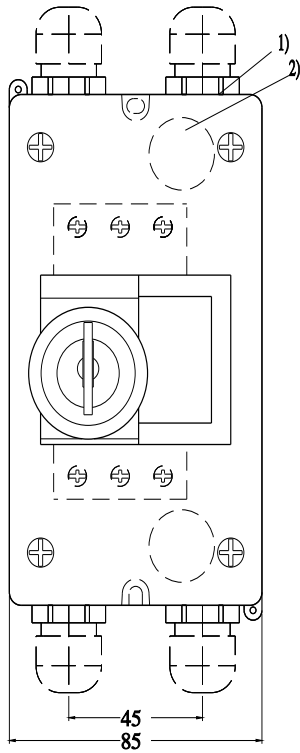
| Environment | General Product Approval | Test Certificates | Maritime application |
|---|---|---|--|
| Environmental Confirmations |  |  EG-Konf. |  |
| | | Type Test Certificates/Test Report |  ABS |

Maritime application

| Maritime application | other |
|---|---|
|  |  |
|  |  |
| | Confirmation |
| | Miscellaneous |

Further information

- Information on the packaging
<https://support.industry.siemens.com/cs/ww/en/view/109813875>
- Information for data generation and storage
<https://support.industry.siemens.com/cs/ww/en/view/109995012>
- Information- and Downloadcenter (Catalogs, Brochures,...)
<https://www.siemens.com/ic10>
- Industry Mall (Online ordering system)
<https://mall.industry.siemens.com/mall/en/en/Catalog/product?mlfb=3RV1913-7E>
- Cax online generator
<https://support.automation.siemens.com/WW/CAXorder/default.aspx?lang=en&mlfb=3RV1913-7E>
- Service&Support (Manuals, Certificates, Characteristics, FAQs,...)
<https://support.industry.siemens.com/cs/ww/en/ps/3RV1913-7E>
- Image database (product images, 2D dimension drawings, 3D models, device circuit diagrams, EPLAN macros, ...)
https://www.automation.siemens.com/bilddb/cax_de.aspx?mlfb=3RV1913-7E&lang=en



- 1) Ausbrechöffnung fuer Verschraubung M25
- 2) Ausbrechöffnung fuer ruckseitige Leitungseinfuehrung

last modified:

4/2/2025 