



power contactor, AC-3e/AC-3 265 A, 132 kW / 400 V AC (50-60 Hz) / DC U_c: 110-127 V 3-pole, auxiliary contacts 2 NO + 2 NC drive: conventional main circuit: busbar control and auxiliary circuit: screw terminal

| | |
|--|----------------------------|
| product brand name | SIRIUS |
| product designation | Power contactor |
| product type designation | 3RT1 |
| General technical data | |
| size of contactor | S10 |
| product extension | |
| • function module for communication | No |
| • auxiliary switch | Yes |
| power loss [W] for rated value of the current | |
| • at AC in hot operating state | 54 W |
| • at AC in hot operating state per pole | 18 W |
| • without load current share typical | 7.4 W |
| type of calculation of power loss current-dependent | quadratic |
| insulation voltage | |
| • of main circuit with degree of pollution 3 rated value | 1 000 V |
| • of auxiliary circuit with degree of pollution 3 rated value | 500 V |
| surge voltage resistance | |
| • of main circuit rated value | 8 kV |
| • of auxiliary circuit rated value | 6 kV |
| maximum permissible voltage for protective separation between coil and main contacts according to EN 60947-1 | 690 V |
| shock resistance at rectangular impulse | |
| • at AC | 8,5g / 5 ms, 4,2g / 10 ms |
| • at DC | 8,5g / 5 ms, 4,2g / 10 ms |
| shock resistance with sine pulse | |
| • at AC | 13,4g / 5 ms, 6,5g / 10 ms |
| • at DC | 13,4g / 5 ms, 6,5g / 10 ms |
| mechanical service life (operating cycles) | |
| • of contactor typical | 10 000 000 |
| • of the contactor with added electronically optimized auxiliary switch block typical | 5 000 000 |
| • of the contactor with added auxiliary switch block typical | 10 000 000 |
| reference code according to IEC 81346-2 | Q |
| Substance Prohibitance (Date) | 05/01/2012 |
| SVHC substance name | Lead CAS-No. 7439-92-1 |
| Net Weight | 6.564 kg |

| Ambient conditions | |
|--|---------------------|
| installation altitude at height above sea level maximum | 2 000 m |
| ambient temperature | |
| • during operation | -25 ... +60 °C |
| • during storage | -55 ... +80 °C |
| relative humidity minimum | 10 % |
| relative humidity at 55 °C according to IEC 60068-2-30 maximum | 95 % |
| Main circuit | |
| number of poles for main current circuit | 3 |
| number of NO contacts for main contacts | 3 |
| number of NC contacts for main contacts | 0 |
| operating voltage | |
| • at AC-3 rated value maximum | 1 000 V |
| • at AC-3e rated value maximum | 1 000 V |
| operational current | |
| • at AC-1 at 400 V at ambient temperature 40 °C rated value | 330 A |
| • at AC-1 | |
| — up to 690 V at ambient temperature 40 °C rated value | 330 A |
| — up to 690 V at ambient temperature 60 °C rated value | 300 A |
| — up to 1000 V at ambient temperature 40 °C rated value | 150 A |
| — up to 1000 V at ambient temperature 60 °C rated value | 150 A |
| • at AC-3 | |
| — at 400 V rated value | 265 A |
| — at 500 V rated value | 265 A |
| — at 690 V rated value | 265 A |
| — at 1000 V rated value | 95 A |
| • at AC-3e | |
| — at 400 V rated value | 265 A |
| — at 500 V rated value | 265 A |
| — at 690 V rated value | 265 A |
| — at 1000 V rated value | 95 A |
| • at AC-4 at 400 V rated value | 230 A |
| • at AC-5a up to 690 V rated value | 290 A |
| • at AC-5b up to 400 V rated value | 219 A |
| • at AC-6a | |
| — up to 230 V for current peak value n=20 rated value | 265 A |
| — up to 400 V for current peak value n=20 rated value | 265 A |
| — up to 500 V for current peak value n=20 rated value | 265 A |
| — up to 690 V for current peak value n=20 rated value | 265 A |
| — up to 1000 V for current peak value n=20 rated value | 95 A |
| • at AC-6a | |
| — up to 230 V for current peak value n=30 rated value | 184 A |
| — up to 400 V for current peak value n=30 rated value | 184 A |
| — up to 500 V for current peak value n=30 rated value | 184 A |
| — up to 690 V for current peak value n=30 rated value | 184 A |
| — up to 1000 V for current peak value n=30 rated value | 95 A |
| minimum cross-section in main circuit at maximum AC-1 rated value | 185 mm ² |
| operational current for approx. 200000 operating cycles at AC-4 | |
| • at 400 V rated value | 117 A |
| • at 690 V rated value | 105 A |
| operational current | |
| • at 1 current path at DC-1 | |

| | |
|--|---------|
| — at 24 V rated value | 300 A |
| — at 60 V rated value | 300 A |
| — at 110 V rated value | 33 A |
| — at 220 V rated value | 3.8 A |
| — at 440 V rated value | 0.9 A |
| — at 600 V rated value | 0.6 A |
| ● with 2 current paths in series at DC-1 | |
| — at 24 V rated value | 300 A |
| — at 60 V rated value | 300 A |
| — at 110 V rated value | 300 A |
| — at 220 V rated value | 300 A |
| — at 440 V rated value | 4 A |
| — at 600 V rated value | 2 A |
| ● with 3 current paths in series at DC-1 | |
| — at 24 V rated value | 300 A |
| — at 60 V rated value | 300 A |
| — at 110 V rated value | 300 A |
| — at 220 V rated value | 300 A |
| — at 440 V rated value | 11 A |
| — at 600 V rated value | 5.2 A |
| ● at 1 current path at DC-3 at DC-5 | |
| — at 24 V rated value | 300 A |
| — at 60 V rated value | 11 A |
| — at 110 V rated value | 3 A |
| — at 220 V rated value | 0.6 A |
| — at 440 V rated value | 0.18 A |
| — at 600 V rated value | 0.125 A |
| ● with 2 current paths in series at DC-3 at DC-5 | |
| — at 24 V rated value | 300 A |
| — at 60 V rated value | 300 A |
| — at 110 V rated value | 300 A |
| — at 220 V rated value | 2.5 A |
| — at 440 V rated value | 0.65 A |
| — at 600 V rated value | 0.37 A |
| ● with 3 current paths in series at DC-3 at DC-5 | |
| — at 24 V rated value | 300 A |
| — at 60 V rated value | 300 A |
| — at 110 V rated value | 300 A |
| — at 220 V rated value | 300 A |
| — at 440 V rated value | 1.4 A |
| — at 600 V rated value | 0.75 A |
| operating power | |
| ● at AC-3 | |
| — at 230 V rated value | 75 kW |
| — at 400 V rated value | 132 kW |
| — at 500 V rated value | 160 kW |
| — at 690 V rated value | 250 kW |
| — at 1000 V rated value | 132 kW |
| ● at AC-3e | |
| — at 230 V rated value | 75 kW |
| — at 400 V rated value | 132 kW |
| — at 500 V rated value | 160 kW |
| — at 690 V rated value | 250 kW |
| — at 1000 V rated value | 132 kW |
| operating power for approx. 200000 operating cycles at AC-4 | |
| ● at 400 V rated value | 66 kW |
| ● at 690 V rated value | 102 kW |
| operating apparent power at AC-6a | |

| | |
|---|---|
| <ul style="list-style-type: none"> • up to 230 V for current peak value n=20 rated value • up to 400 V for current peak value n=20 rated value • up to 500 V for current peak value n=20 rated value • up to 690 V for current peak value n=20 rated value • up to 1000 V for current peak value n=20 rated value | 100 kVA 180 kVA 220 kVA 310 kVA 160 kVA |
| operating apparent power at AC-6a <ul style="list-style-type: none"> • up to 230 V for current peak value n=30 rated value • up to 400 V for current peak value n=30 rated value • up to 500 V for current peak value n=30 rated value • up to 690 V for current peak value n=30 rated value • up to 1000 V for current peak value n=30 rated value | 70 kVA 120 kVA 150 kVA 220 kVA 160 kVA |
| short-time withstand current in cold operating state up to 40 °C <ul style="list-style-type: none"> • limited to 1 s switching at zero current maximum • limited to 5 s switching at zero current maximum • limited to 10 s switching at zero current maximum • limited to 30 s switching at zero current maximum • limited to 60 s switching at zero current maximum | 4 880 A; Use minimum cross-section acc. to AC-1 rated value 4 045 A; Use minimum cross-section acc. to AC-1 rated value 2 785 A; Use minimum cross-section acc. to AC-1 rated value 1 664 A; Use minimum cross-section acc. to AC-1 rated value 1 276 A; Use minimum cross-section acc. to AC-1 rated value |
| no-load switching frequency <ul style="list-style-type: none"> • at AC • at DC | 2 000 1/h 2 000 1/h |
| operating frequency <ul style="list-style-type: none"> • at AC-1 maximum • at AC-2 maximum • at AC-3 maximum • at AC-3e <ul style="list-style-type: none"> — maximum • at AC-4 maximum | 800 1/h 250 1/h 500 1/h 500 1/h 130 1/h |
| Control circuit/ Control | |
| type of voltage of the control supply voltage | AC/DC |
| control supply voltage at AC <ul style="list-style-type: none"> • at 50 Hz rated value • at 60 Hz rated value | 110 ... 127 V 110 ... 127 V |
| control supply voltage at DC rated value | 110 ... 127 V |
| operating range factor control supply voltage rated value of magnet coil at DC <ul style="list-style-type: none"> • initial value • full-scale value | 0.8 1.1 |
| operating range factor control supply voltage rated value of magnet coil at AC <ul style="list-style-type: none"> • at 50 Hz • at 60 Hz | 0.8 ... 1.1 0.8 ... 1.1 |
| design of the surge suppressor | with varistor |
| apparent pick-up power <ul style="list-style-type: none"> • at minimum rated control supply voltage at AC <ul style="list-style-type: none"> — at 50 Hz — at 60 Hz • at maximum rated control supply voltage at AC <ul style="list-style-type: none"> — at 60 Hz — at 50 Hz | 490 VA 490 VA 590 VA 590 VA |
| apparent pick-up power of magnet coil at AC <ul style="list-style-type: none"> • at 50 Hz • at 60 Hz | 590 VA 590 VA |
| inductive power factor with closing power of the coil <ul style="list-style-type: none"> • at 50 Hz • at 60 Hz | 0.9 0.9 |
| apparent holding power <ul style="list-style-type: none"> • at minimum rated control supply voltage at DC • at maximum rated control supply voltage at DC | 6.1 VA 7.4 VA |
| apparent holding power | |

| | |
|--|---|
| <ul style="list-style-type: none"> ● at minimum rated control supply voltage at AC <ul style="list-style-type: none"> — at 50 Hz — at 60 Hz ● at maximum rated control supply voltage at AC <ul style="list-style-type: none"> — at 50 Hz — at 60 Hz | <p>5.6 VA</p> <p>5.6 VA</p> <p>6.7 VA</p> <p>6.7 VA</p> |
| inductive power factor with the holding power of the coil | |
| <ul style="list-style-type: none"> ● at 50 Hz ● at 60 Hz | <p>0.9</p> <p>0.9</p> |
| closing power of magnet coil at DC | 650 W |
| holding power of magnet coil at DC | 7.4 W |
| closing delay | |
| <ul style="list-style-type: none"> ● at AC ● at DC | <p>30 ... 95 ms</p> <p>30 ... 95 ms</p> |
| opening delay | |
| <ul style="list-style-type: none"> ● at AC ● at DC | <p>40 ... 80 ms</p> <p>40 ... 80 ms</p> |
| arcing time | 10 ... 15 ms |
| control version of the switch operating mechanism | Standard A1 - A2 |
| Auxiliary circuit | |
| number of NC contacts for auxiliary contacts instantaneous contact | 2 |
| number of NO contacts for auxiliary contacts instantaneous contact | 2 |
| operational current at AC-12 maximum | 10 A |
| operational current at AC-15 | |
| <ul style="list-style-type: none"> ● at 230 V rated value ● at 400 V rated value ● at 500 V rated value ● at 690 V rated value | <p>6 A</p> <p>3 A</p> <p>2 A</p> <p>1 A</p> |
| operational current at DC-12 | |
| <ul style="list-style-type: none"> ● at 24 V rated value ● at 48 V rated value ● at 60 V rated value ● at 110 V rated value ● at 125 V rated value ● at 220 V rated value ● at 600 V rated value | <p>10 A</p> <p>6 A</p> <p>6 A</p> <p>3 A</p> <p>2 A</p> <p>1 A</p> <p>0.15 A</p> |
| operational current at DC-13 | |
| <ul style="list-style-type: none"> ● at 24 V rated value ● at 48 V rated value ● at 60 V rated value ● at 110 V rated value ● at 125 V rated value ● at 220 V rated value ● at 600 V rated value | <p>10 A</p> <p>2 A</p> <p>2 A</p> <p>1 A</p> <p>0.9 A</p> <p>0.3 A</p> <p>0.1 A</p> |
| contact reliability of auxiliary contacts | 1 faulty switching per 100 million (17 V, 1 mA) |
| UL/CSA ratings | |
| full-load current (FLA) for 3-phase AC motor | |
| <ul style="list-style-type: none"> ● at 480 V rated value ● at 600 V rated value | <p>240 A</p> <p>242 A</p> |
| yielded mechanical performance [hp] | |
| <ul style="list-style-type: none"> ● for 3-phase AC motor <ul style="list-style-type: none"> — at 200/208 V rated value — at 220/230 V rated value — at 460/480 V rated value — at 575/600 V rated value | <p>75 hp</p> <p>100 hp</p> <p>200 hp</p> <p>250 hp</p> |
| contact rating of auxiliary contacts according to UL | A600 / Q600 |
| Short-circuit protection | |

| | |
|---|--|
| design of the miniature circuit breaker for short-circuit protection of the auxiliary circuit up to 230 V | C characteristic: 10 A; 0.4 kA |
| design of the fuse link <ul style="list-style-type: none"> ● for short-circuit protection of the main circuit <ul style="list-style-type: none"> — with type of coordination 1 required — with type of coordination 2 required ● for short-circuit protection of the auxiliary switch required | gG: 500 A (690 V, 100 kA) gG: 400 A (690 V, 100 kA), aM: 315 A (690 V, 50 kA), BS88: 400 A (415 V, 50 kA) gG: 10 A (500 V, 1 kA) |
| Installation/ mounting/ dimensions | |
| mounting position | with vertical mounting surface +/-90° rotatable, with vertical mounting surface +/- 22.5° tiltable to the front and back |
| fastening method side-by-side mounting | Yes |
| fastening method | screw fixing |
| height | 210 mm |
| width | 145 mm |
| depth | 202 mm |
| required spacing <ul style="list-style-type: none"> ● with side-by-side mounting <ul style="list-style-type: none"> — forwards — upwards — downwards — at the side ● for grounded parts <ul style="list-style-type: none"> — forwards — upwards — at the side — downwards ● for live parts <ul style="list-style-type: none"> — forwards — upwards — downwards — at the side | 20 mm 10 mm 10 mm 0 mm 20 mm 10 mm 10 mm 10 mm 20 mm 10 mm 10 mm 10 mm |
| Connections/ Terminals | |
| type of electrical connection <ul style="list-style-type: none"> ● for main current circuit ● for auxiliary and control circuit ● at contactor for auxiliary contacts ● of magnet coil | Connection bar screw-type terminals Screw-type terminals Screw-type terminals |
| width of connection bar | 25 mm |
| thickness of connection bar | 6 mm |
| diameter of holes | 11 mm |
| number of holes | 1 |
| type of connectable conductor cross-sections <ul style="list-style-type: none"> ● for AWG cables for main contacts | 2/0 ... 500 kcmil |
| connectable conductor cross-section for main contacts <ul style="list-style-type: none"> ● stranded | 70 ... 240 mm ² |
| connectable conductor cross-section for auxiliary contacts <ul style="list-style-type: none"> ● solid or stranded ● finely stranded with core end processing | 0.5 ... 4 mm ² 0.5 ... 2.5 mm ² |
| type of connectable conductor cross-sections <ul style="list-style-type: none"> ● for auxiliary contacts <ul style="list-style-type: none"> — solid — solid or stranded — finely stranded with core end processing ● for AWG cables for auxiliary contacts | 2x (0.5 ... 1.5 mm ²), 2x (0.75 ... 2.5 mm ²), max. 2x (0.75 ... 4 mm ²) 2x (0.5 ... 1.5 mm ²), 2x (0.75 ... 2.5 mm ²), max. 2x (0.75 ... 4 mm ²) 2x (0.5 ... 1.5 mm ²), 2x (0.75 ... 2.5 mm ²) 2x (20 ... 16), 2x (18 ... 14), 1x 12 |
| AWG number as coded connectable conductor cross section for auxiliary contacts | 18 ... 14 |
| Safety related data | |
| product function <ul style="list-style-type: none"> ● mirror contact according to IEC 60947-4-1 | Yes |

| | |
|--|-----------|
| • positively driven operation according to IEC 60947-5-1 | No |
| • suitable for safety function | Yes |
| suitability for use safety-related switching OFF | Yes |
| service life maximum | 20 a |
| test wear-related service life necessary | Yes |
| proportion of dangerous failures | |
| • with low demand rate according to SN 31920 | 40 % |
| • with high demand rate according to SN 31920 | 73 % |
| B10 value with high demand rate according to SN 31920 | 1 000 000 |
| failure rate [FIT] with low demand rate according to SN 31920 | 100 FIT |

| | |
|--|-----|
| ISO 13849 | |
| device type according to ISO 13849-1 | 3 |
| overdimensioning according to ISO 13849-2 necessary | Yes |

| | |
|--|--------|
| IEC 61508 | |
| safety device type according to IEC 61508-2 | Type A |

| | |
|--|--|
| Electrical Safety | |
| protection class IP on the front according to IEC 60529 | IP00; IP20 with box terminal/cover |
| touch protection on the front according to IEC 60529 | finger-safe, for vertical contact from the front with box terminal/cover |

Approvals Certificates

| | |
|--|----------|
| Environmental Product Declaration | |
| • global warming potential [CO2 eq] / during manufacturing | 31.5 kg |
| • global warming potential [CO2 eq] / during sales | 2.6 kg |
| • global warming potential [CO2 eq] / during operation | 521 kg |
| • global warming potential [CO2 eq] / after end of life | -7.22 kg |
| • global warming potential [CO2 eq] / total | 548 kg |

Environment **General Product Approval**



[Environmental Confirmations](#)



General Product Approval **EMV** **Functional Safety**



[Type Examination Certificate](#)

Test Certificates **Maritime application** **other**

[Special Test Certificate](#)

[Type Test Certificates/Test Report](#)

[Miscellaneous](#)



[Miscellaneous](#)

other **Railway**



[Confirmation](#)

[Confirmation](#)

[Miscellaneous](#)

[Special Test Certificate](#)

Further information

Information on the packaging
<https://support.industry.siemens.com/cs/ww/en/view/109813875>
 Information for data generation and storage
<https://support.industry.siemens.com/cs/ww/en/view/109995012>
 Information- and Downloadcenter (Catalogs, Brochures,...)
<https://www.siemens.com/ic10>

Industry Mall (Online ordering system)

<https://mall.industry.siemens.com/mall/en/en/Catalog/product?mlfb=3RT1065-6AF36>

Service&Support (Manuals, Certificates, Characteristics, FAQs,...)

<https://support.industry.siemens.com/cs/ww/en/ps/3RT1065-6AF36>

Image database (product images, 2D dimension drawings, 3D models, device circuit diagrams, EPLAN macros, ...)

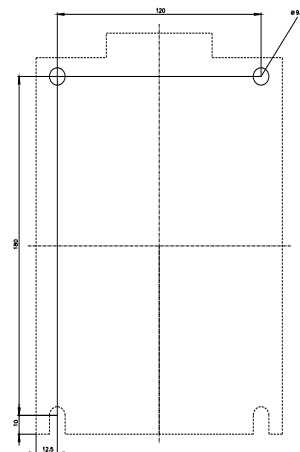
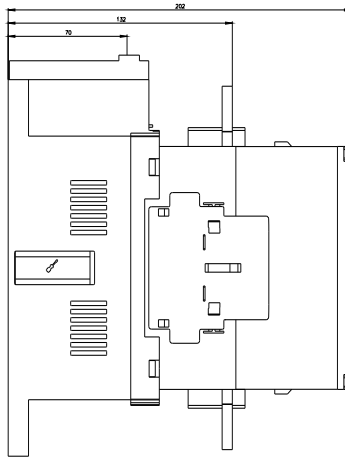
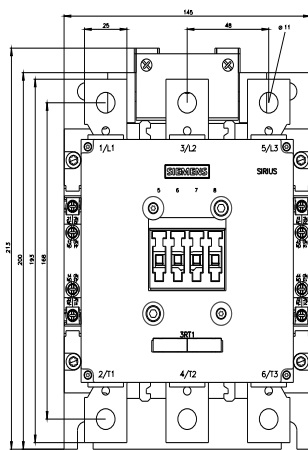
https://www.automation.siemens.com/bilddb/cax_de.aspx?mlfb=3RT1065-6AF36&lang=en

Cax online generator

<https://support.automation.siemens.com/WW/CAXorder/default.aspx?lang=en&mlfb=3RT1065-6AF36>

Characteristic curves

[https://curves.simaris.siemens.com/curves/<mmp_prod_noCOMP="HAUPT"></mmp_prod_no>](https://curves.simaris.siemens.com/curves/<mmp_prod_noCOMP=)





last modified:

11/27/2025 