



Pipe adapter, for mounting on pipes, black, accessories for built-in lamps, with diameter 70 mm

General technical data	
product designation	Adapter for pipe mounting
reference code according to IEC 81346-2	U
material	PA
color	black
Mechanical data	
outer diameter of the signal column element	57 mm
Ambient conditions	
ambient temperature during operation	-20 ... +50 °C
height	58 mm
width	57 mm
Certificates/ approvals	
General Product Approval	other



[Confirmation](#)



[Confirmation](#)

Environment



[Environmental Confirmations](#)

Further information

Information on the packaging

<https://support.industry.siemens.com/cs/ww/en/view/109813875>

Information for data generation and storage

<https://support.industry.siemens.com/cs/ww/en/view/109995012>

Information- and Downloadcenter (Catalogs, Brochures,...)

<https://www.siemens.com/ic10>

Industry Mall (Online ordering system)

<https://mall.industry.siemens.com/mall/en/en/Catalog/product?mlfb=8WD5308-0EG>

Cax online generator

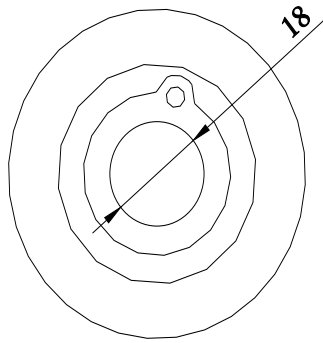
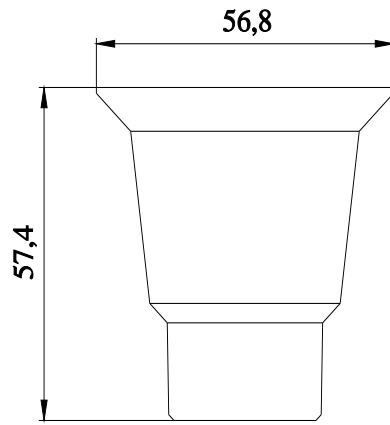
<https://support.automation.siemens.com/WW/CAXorder/default.aspx?lang=en&mlfb=8WD5308-0EG>

Service&Support (Manuals, Certificates, Characteristics, FAQs,...)

<https://support.industry.siemens.com/cs/ww/en/ps/8WD5308-0EG>

Image database (product images, 2D dimension drawings, 3D models, device circuit diagrams, EPLAN macros, ...)

https://www.automation.siemens.com/bilddb/cax_de.aspx?mlfb=8WD5308-0EG&lang=en



last modified:

4/1/2025 