

SIGN	DATE	DESCRIPTION	APPROVER
△	11/3'09	Add Note and connection data.	Kind
△	06/02'11	The dimension is changed from 2.6mm to 2.4mm	Runner
△	06/02'11	The dimension is changed from 0.60±0.03mm to 0.60±0.05mm	Runner
△	06/02'11	The dimension is changed from 23.23mm to 23.4mm	Runner
△	06/02'11	The dimension is changed from 4.86mm to 4.83 ^{+0.00} _{-0.10} mm	Runner
△	06/02'11	Add the Measuring dimension	Runner
△	01/04'14	Add the dimensional	Chen Bo
△	01/04'14	Dimension is changed from 4.83+0.0/-0.10 to 4.83+0.0/-0.20	Chen Bo

THIS IS CAD DRAWING, DO NOT REVISE MANUALLY!!!

△ Note:

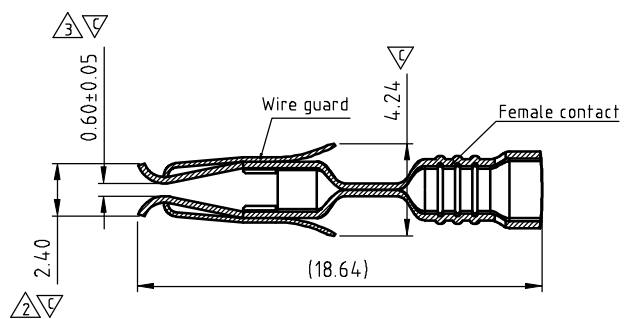
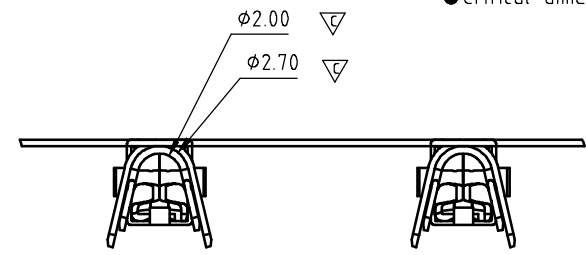
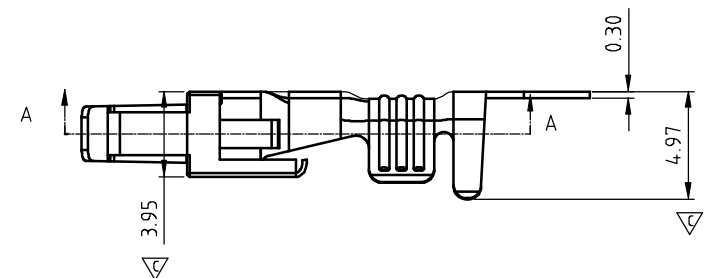
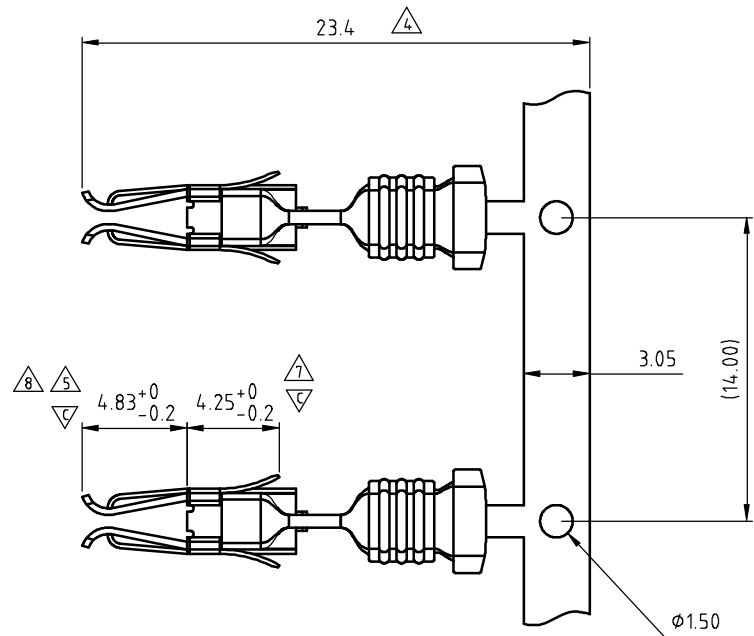
- Male contact is inserted into the plug housing K15.08 after crimping the conductor, for conductors from 1.5 to 2.5 mm²

Material data:

- Male contact : PhBz , Tin plated.
- Wire guard : Stainless steel

△ Connection data:

- Wire strip length: 4mm
- Wire range: 1.5 ~ 2.5mm²
- Stranded wire(AWG): 14 - 16
- Core diameter including insulation : 2.11 mm ... 3.1 mm
- Critical dimension: ▽



SECTION A-A

ANYTEK				CUSTOMER COPY			
ALL RIGHTS RESERVED. REPRODUCTION OR ISSUE TO THIRD PARTIES IN ANY FORM WHATEVER IS NOT PERMITTED WITHOUT WRITTEN AUTHORITY FROM THE PROPRIETOR. PROPERTY OF ANYTEK TECHNOLOGY CO., LTD							
TITLE	AO 5.08 Module female contact (1.5 to 2.5 mm ²)						
PART NO.	AO000020000G			DWG NO.	8A00102		
APPROVED	CHECKED	DESIGNED	DRAWN	CUST NO.	Tolerance		
		Chen Bo 04/01'14	Chen Bo 04/01'14		UNIT: mm	X.	±0.50
					SCALE: 2/1	X.XX	±0.30
				SHEET: 01/01	REV.: D	X.XX	±0.10
						X°	±1°