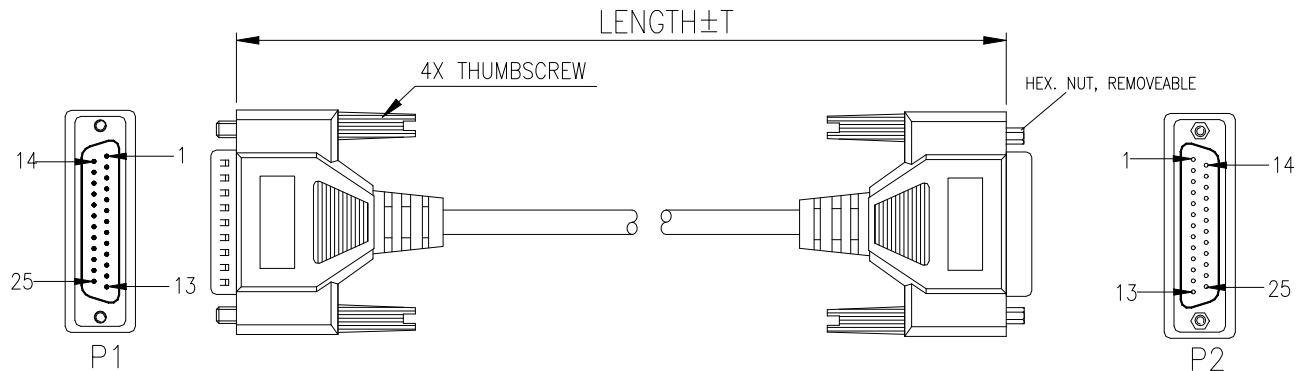
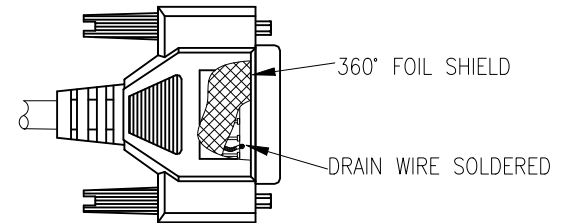
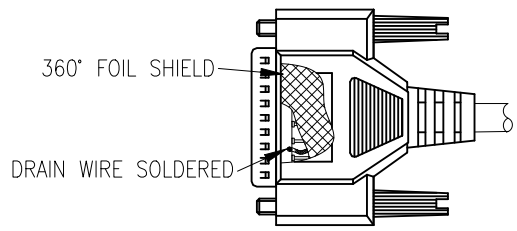


THE INFORMATION CONTAINED IN THIS DRAWING IS THE SOLE PROPERTY OF AMPHENOL CABLES ON DEMAND. ANY REPRODUCTION OR DISCLOSURE, TO THIRD PARTIES, IN PART OR WHOLE, WITHOUT THE EXPRESS WRITTEN PERMISSION OF AMPHENOL CABLES ON DEMAND IS PROHIBITED.

REVISIONS			
REV.	DESCRIPTION	DATE	APPROVED
A0	NEW RELEASE	11/APR./2025	
A1	CHANGE CABLE PRINTING	28/JULY/2025	



CABLE PRINTING: Amphenol Cables on Demand E119932-Y AWM 2464 80° C 300V
26AWG VW-1 LL84201 CSA AWM I/II A 80° C 300V 26AWG FT1 COPARTNER



NOTE:

- TESTING CONDITIONS:
 - A: INSULATION RESISTANCE: 10MΩ
 - B: VOLTAGE: DC300V/0.01S
 - C: CONDUCTOR RESISTANCE 2Ω(≤3M), 5Ω(>3M,<10M), 8M≥10Ω
- SHIELDING: COPPER FOIL TAPE COVER PREMOLD 360°, DRAIN WIRE SOLDER TO CONNECTOR SHELL

PIN OUT			
P1	P2	P1	P2
1	1	14	14
2	2	15	15
3	3	16	16
4	4	17	17
5	5	18	18
6	6	19	19
7	7	20	20
8	8	21	21
9	9	22	22
10	10	23	23
11	11	24	24
12	12	25	25
13	13	SHELL	SHELL
			DRAIN WIRE

P/N CHART

ACD P/N	LENGTH ± T	
CS-DSDMDB25MF-002.5	2.5FT±1inch	762±25mm
CS-DSDMDB25MF-005	5FT±2inch	1524±51mm
CS-DSDMDB25MF-010	10FT±3inch	3048±76mm
CS-DSDMDB25MF-015	15FT±3inch	4572±76mm
CS-DSDMDB25MF-025	25FT±4inch	7620±102mm
CS-DSDMDB25MF-030	30FT±4inch	9144±102mm
CS-DSDMDB25MF-50	50FT±8inch	15240±203mm



UNLESS OTHERWISE SPECIFIED DIMENSIONS ARE IN INCHES TOLERANCES ARE:		EAR NO.		Amphenol Cables on Demand 20 VALLEY ST. ENDICOTT, NY 13760	
DECIMALS	ANGLES	APPROVALS			
.X ±.X	± X°	DRAWN XF		ASM CBL Deluxe 25PIN D-Sub MF	
.XX ±.XX		CHECKED HYJ			
.XXX ±.XXX		RESP ENG		SIZE A DWG. NO. CS-DSDMDB25MF-XXX REV. A1	
THIRD ANGLE PROJECTION		MFG ENG			
CAD FILE:				SCALE: N/A SHEET 1 OF 1	

NOTES: UNLESS OTHERWISE SPECIFIED