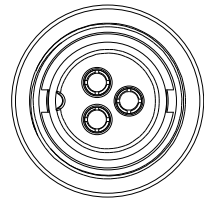
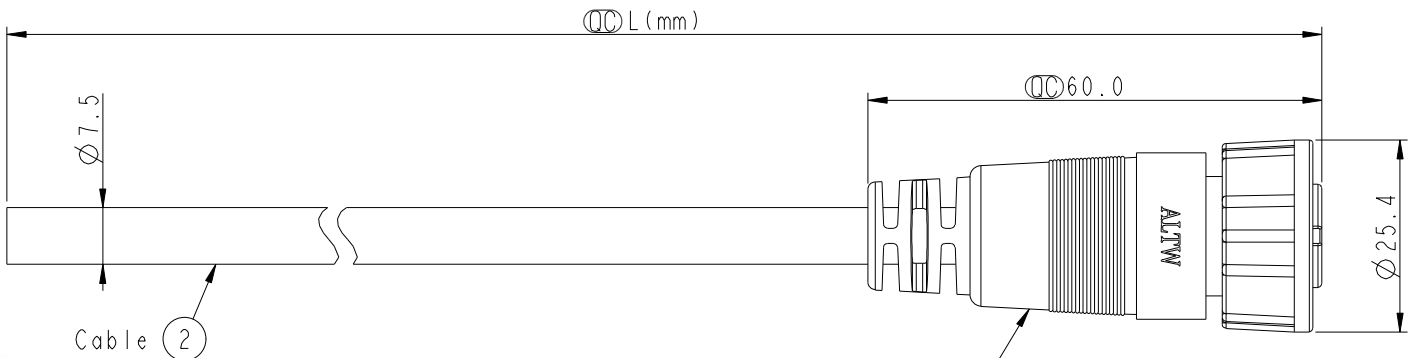


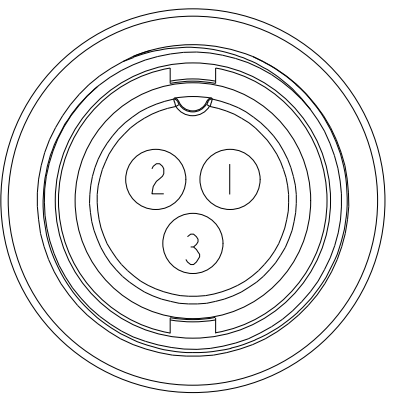
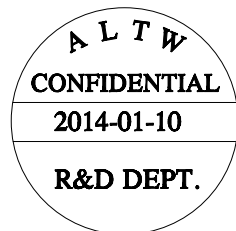
THIS DOCUMENT IS SUBJECT TO CHANGE WITHOUT NOTICE. IT IS CONFIDENTIAL AND A PROPERTY OF Amphenol LTW. DISCLOSURE TO THIRD PARTY HAS TO BE AUTHORIZED BY Amphenol LTW.

REV.	ECN NO.	DATE	SIGN	DESCRIPTION



Conn.

ICC-03AFFM-SL7000
Color: Black



Pin Assignments
Front View

3	Black	黑
2	Blue	藍
1	Brown	棕
Conn.	Wire Color	
Pin Out		

ICC-03AFFM-SL7AXX

- XX : 01~99Meters
- 01 : 01Meter
- 02 : 02Meters
- :
- :
- 99 : 99Meters

Cable Length(L):01~99Meters

- Note:
- * \varnothing Important Dimension To Check.
 - * Waterproof Rate: IP67
 - * Housing: Nylon+GF, Black.
 - * Female Pin: Copper Alloy, Gold Plated.
 - * Screw Nut: Nylon+GF, Black.
 - * O-Ring: Silicon, Gray
 - * Cable: UL2464 16AWG*3C+D+AI/My PVC Jacket UV Resistant, OD=7.5, Black.
 - * Cable Length Tolerance: 01M:40mm
02M~05M:±60mm
06M~10M:±100mm
11M~30M:±200mm
31M~99M:±500mm

UNIT:mm		
TOLERANCE	±0.5	

TITLE MIDDLE CNC PIN CABLE SCREW 3P F CONN F PIN			
SCALE 1:1	SIZE A4	SHEET 1 OF 1	
REV. A	WC-REV. A.2	\varnothing : Inspection item	

Amphenol LTW
安費諾亮泰企業股份有限公司

ITEM NO	DRAWN BY Jiazhen_li	DATE 2014-01-10
DWG NO ICC-03AFFM-SL7AXX	CHECKED BY Ruru	DATE 2014-01-10
CUSTOMER ALTW	APPROVED BY Jerry	DATE 2014-01-10