



## WeatherStation® Multisensor – Ultrasonic Instruments for Measurement of Wind

A Compact, Rugged Instrument  
for Informed Decision-Making

### 150WXS Multisensor

AIRMAR's WeatherStation series provides accurate, site-specific, weather data from a single compact device. As an integral component of a comprehensive weather station, the WeatherStation WXS measures seven critical weather parameters in real-time.

The compact housing features ultrasonic wind and barometric pressure measurements. Plus the solar-radiation shield increases the accuracy of temperature and relative humidity readings. The maintenance-free features of the WeatherStation WXS makes it perfect for stationary mounting locations.



#### Ultrasonic Wind Measurement

Dynamic True and Apparent wind speed and direction with no moving parts



#### Barometric Pressure

Accurate atmospheric pressure measurement



#### Air Temperature

With calculated heat index and wind chill



#### 10 Hz GPS

Position, COG, SOG, time stamping



#### 3-Axis Accelerometer

For pitch and roll



#### 2-Axis Compass

Better than 1° static compass accuracy



#### Relative Humidity

Field serviceable RH sensor with calculated dew point



#### Solar Stabilization

Solar radiation shield increases the accuracy and stability of temperature and relative humidity readings

## SPECIFICATIONS

### Wind Speed

Range: 0-40 m/s  
Accuracy: 2 knots RMS @ 20 knots  
Resolution: 0.1 m/s  
Calculations: User configurable damping

### Wind Direction

Range: 0° to 359.9°  
Accuracy: ± 2.5° RMS @ 20 knots  
Resolution: 0.1°  
Calculations: User configurable damping

### Air Temperature

Range: -40° to 80°C (-40 to 176°F)  
Accuracy: ±0.3°C at 20°C  
Resolution: 0.1°C

### Relative Humidity

Range: 0 to 100% RH  
Accuracy: ±3% RH at 0 to 90% RH at 20°C  
Resolution: 0.1% RH

### Barometric Pressure

Range: 300 to 1100 hPa  
Accuracy: ±1 hPa @ 25°C  
Resolution: 0.1 hPa

### Two-axis Compass

Range: 0 to 359.9°  
Accuracy: 1° static heading accuracy  
Resolution: 0.1°

### Pitch and Roll

Measurement Type: MEMS  
Range: 60°  
Accuracy: ±1° in range of ±30°  
Resolution: 0.1°

### GPS Position Accuracy: 2.5 m (8') CEP

### Operating Temperature Range: -25 to 55°C (-13 to 131°F)

### Operating Voltage

Supply Voltage: 9 VDC to 40 VDC  
Supply Current (at 12 VDC): <75 mA (<0.9 W)

### Weight

325 grams (0.71 lb)

### Mounting-thread Size, Base M39: Adapter on cable is standard 1"-14 UNS (3/4" NPT optional)

### Certifications and Standards: CE, IPX4, RoHS, IEC61000-4-2, IEC60945, IEC60950\_1C, IEC60950\_22A, EN55022, EN55024, EN14982

### Note: Cables sold separately

## COMMUNICATIONS

Hardware Interfaces: Serial RS232, Serial RS422, CAN  
Data Protocols: Serial – NMEA 0183, CAN – NMEA 2000  
Serial Data Transmission Code: ASCII  
Serial Output Rate: 1 Hz typical. User selectable. 10 Hz max recommended

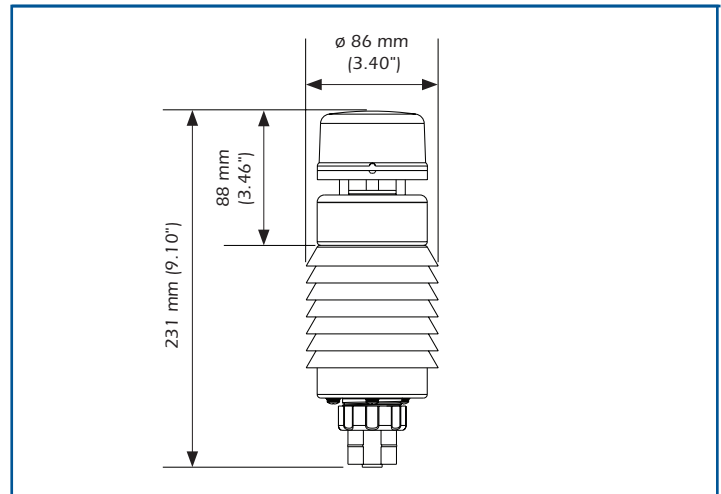
## PART NUMBERS

150WXS-RS232-100318

150WXS-RS422-100319

Cables sold separately unless otherwise specified  
RH = Relative Humidity

## DIMENSIONS



©2025 AIRMAR Technology Corporation 150WXS\_rM 10/30/25  
As AIRMAR constantly improves its products, all specifications are subject to change without notice. All AIRMAR products are designed to provide high levels of accuracy and reliability, however they should only be used as aids to navigation and not as a replacement for traditional navigation aids and techniques. WeatherStation® is a registered trademark of AIRMAR Technology Corporation. AMPHENOL is a registered trademark of Amphenol Corporation. Other company or product names mentioned in this document may be trademarks or registered trademarks of their respective companies, which are not affiliated with AIRMAR.

