

Radiation-Hardened Quad 2-Input NAND Gate

with **cold sparing** and **Schmitt trigger inputs**

1 GENERAL DESCRIPTION

The **AF54RHC132** is a radiation-hardened by design **quad 2-Input NAND gate with Schmitt trigger inputs** that is ideally suited for space, medical imaging and other applications demanding radiation tolerance and high reliability. It is fabricated in a 180 nm CMOS process utilizing proprietary radiation-hardening techniques, delivering high resiliency to single-event effects (SEE) and to a total ionizing dose (TID) to **300 krad (Si)**.

This device is a member of the Apogee Semiconductor **AF54RHC logic family** operating across a voltage supply range of **1.65 V to 5.5 V**.

The AF54RHC132 features true Schmitt triggers on each of its input buffers, providing hysteresis to accommodate slow-rising or noisy input signals without any input rise or fall time requirements.

Zero-power penalty™ cold sparing is supported, along with Class 1C ESD protection on all inputs and outputs. A proprietary output stage and robust power-on reset (POR) circuit allow the AF54RHC132 to be cold-spared in any redundant configuration with no static power loss on any pad of the device. The redundant output stage also features a high drive capability with low static power loss.

The AF54RHC132 also features a triple-redundant design throughout its entire circuitry, which allows it to be immune to single-event transients (SET) without requiring additional redundant devices.

This device provides four instances of the Boolean logical function **NAND** ($Y = \overline{A \cdot B}$).

Ordering information may be found in Table 10 on Page 12.

1.1 FEATURES

- 1.65 VDC to 5.5 VDC operation
- Inputs tolerant up to 5.5 VDC at any V_{CC}
- **Schmitt triggers** on inputs for slow rising signals
- Provides logic-level down translation to V_{CC}
- Extended operating temperature range (-55 °C to +125 °C)
- Proprietary **cold sparing capability** with **zero** static power penalty
- **Built-in triple redundancy** for enhanced reliability
- Internal power-on reset (POR) circuitry ensures reliable power up and power down responses during hot plug and cold sparing operations
- Class 1C ESD protection (1000 V HBM, 500 V CDM)
- TID resilience of **300 krad (Si)**.
- SEL immune to LET of **75 MeV-cm²/mg**
- Meets NASA's ASTM E595 outgassing specification

1.2 LOGIC DIAGRAM

The AF54RHC132 logic function is shown below:

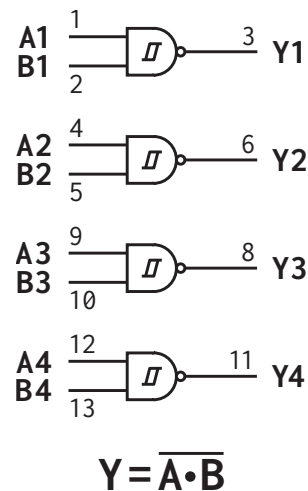


Figure 1: AF54RHC132 Logic Diagram

CONTENTS

1	General Description	1	5.5	Radiation Resilience	8
1.1	Features	1	5.6	Characteristics Measurement Information	8
1.2	Logic Diagram	1	6	Detailed Description	9
2	Acronyms and Abbreviations	2	7	Applications Information	10
3	Logic Data	3	7.1	Use in Cold-Sparing Configuration	10
3.1	Truth Table	3	7.2	Power Supply Recommendations	10
			7.3	Application Tips	10
4	Pin Configuration	3	8	Packaging Information	11
5	Electrical Characteristics	4	9	Ordering Information	12
5.1	Absolute Maximum Ratings	4	10	Revision History	13
5.2	Recommended Operating Conditions	5	11	Legal	14
5.3	Static Characteristics	6			
5.4	Dynamic Characteristics	8			

LIST OF TABLES

1	Truth Table	3	6	DC Electrical Characteristics	6
2	Device Pinout	3	7	DC Electrical Transfer Characteristics	7
3	Absolute Maximum Ratings	4	8	AC Electrical Characteristics	8
4	Recommended Operating Conditions	5	9	Radiation Resilience Characteristics	8
5	Thermal Information	5	10	Ordering Information	12

LIST OF FIGURES

1	AF54RHC132 Logic Diagram	1	6	Output Pin Structure	9
2	Device Pinout	3	7	Two-Path Cold-Sparing Configuration	10
3	Load Circuit	8	8	Package Mechanical Drawing	11
4	Propagation Delay	8	9	Part Number Decoder	12
5	Input Pin Structure	9			

2 ACRONYMS AND ABBREVIATIONS

ESD	Electrostatic Discharge
POR	Power On Reset
RHA	Radiation Hardness Assurance
SEE	Single Event Effects
SEL	Single Event Latchup
SET	Single Event Transient
TID	Total Ionizing Dose
TMR	Triple Modular Redundancy
CDM	Charged-device Model
HBM	Human-body Model

3 LOGIC DATA

3.1 TRUTH TABLE

The AF54RHC132 truth table is found in Table 1. **H** indicates HIGH logic level and **L** indicates LOW logic level. Subscript **n** reflects one of the four gates in the device (1 to 4).

Table 1: AF54RHC132 Device Truth Table

Input		Output
A _n	B _n	Y _n
L	L	H
L	H	H
H	L	H
H	H	L

4 PIN CONFIGURATION

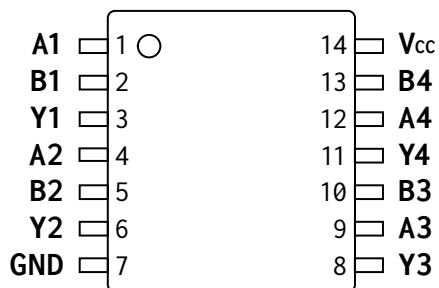


Figure 2: AF54RHC132 Device Pinout

Table 2: AF54RHC132 Device Pinout

PIN NAME(S)	PIN NUMBER(S)	DESCRIPTION
A1, B1 A2, B2 A3, B3 A4, B4	1, 2 4, 5 9, 10 12, 13	Logic Inputs
Y1 Y2 Y3 Y4	3 6 8 11	Logic Outputs
V _{CC}	14	Positive Voltage Supply
GND	7	Ground

5 ELECTRICAL CHARACTERISTICS

The sign convention for current follows JEDEC standards with negative values representing current sourced from the device and positive values representing current sunk into the device.

5.1 ABSOLUTE MAXIMUM RATINGS

Excursions beyond the values listed in Table 3 may cause permanent damage to the device. Proper function of the device cannot be guaranteed if these values are exceeded, and long-term device reliability may be affected. Functionality of the device at these values, or beyond those listed in [Recommended Operating Conditions](#) (Table 4) is not guaranteed.

All parameters are specified across the entire operating temperature range unless otherwise specified.

Table 3: Absolute Maximum Ratings

SYMBOL	PARAMETER	VALUE	UNITS
V_{CC}	Supply Voltage	-0.5 to +5.5	V
V_I	Input voltage range	-0.5 to +5.5	V
V_O	Output voltage range	-0.5 to $V_{CC} + 0.5^{(1)}$	V
$I_{IK} (V_I < 0)$	Input clamp current	100	mA
I_O	Continuous output current (per pin)	100	mA
I_{CC}	Maximum supply current	100	mA
V_{ESD}	ESD Voltage	HBM	1000
		CDM	500
T_J	Operating junction temperature range	-55 to +150	°C
T_{STG}	Storage temperature range	-65 to +150	°C

⁽¹⁾ V_O must remain below absolute maximum rating of V_{CC}

5.2 RECOMMENDED OPERATING CONDITIONS

All recommended parameters below are specified across the entire operating temperature range unless otherwise specified.

Table 4: Recommended Operating Conditions

SYMBOL	PARAMETER	MIN	MAX	UNITS	
V_{CC}	Supply voltage	1.65	5.5	V	
V_I	Input voltage range	0	5.5	V	
V_O	Output voltage range	0	V_{CC}	V	
I_{OH}	HIGH-level output current	$V_{CC} = 1.65$ to 1.95 V	-	-4	mA
		$V_{CC} = 2.3$ to 2.7 V	-	-8	
		$V_{CC} = 3.0$ to 3.6 V	-	-16	
		$V_{CC} = 4.5$ to 5.5 V	-	-24	
I_{OL}	LOW-level output current	$V_{CC} = 1.65$ to 1.95 V	-	4	mA
		$V_{CC} = 2.3$ to 2.7 V	-	8	
		$V_{CC} = 3.0$ to 3.6 V	-	16	
		$V_{CC} = 4.5$ to 5.5 V	-	24	

Table 5: Thermal Information

SYMBOL	PARAMETER	MIN	TYP	MAX	UNITS
T_J	Operating junction temperature	-55	-	+125	°C
$R_{\theta JA}$	Junction to ambient thermal resistance	-	100	-	°C/W

5.3 STATIC CHARACTERISTICS

All parameters are specified across the entire operating temperature range unless otherwise specified.

Table 6: DC Electrical Characteristics

SYMBOL	PARAMETER	CONDITIONS	V _{CC}	MIN	TYP	MAX	UNITS
V _{OL}	LOW-Level Output Voltage	I _O = 100 μA	1.65 to 5.5 V	-	0.02	0.05	V
		I _O = 1 mA	1.65 to 5.5 V	-	0.05	0.15	V
		I _O = 4 mA	1.65 V	-	0.27	0.8	V
			2.3 V	-	0.3	0.6	V
			3.0 V	-	0.2	0.4	V
			4.5 V	-	0.2	0.4	V
		I _O = 8 mA	2.3 V	-	0.6	1.0	V
			3.0 V	-	0.4	0.8	V
			4.5 V	-	0.3	0.6	V
		I _O = 16 mA	3.0 V	-	1.0	1.4	V
			4.5 V	-	1.1	1.2	V
		I _O = 24 mA	4.5 V	-	1.1	1.5	V
V _{OH}	HIGH-Level Output Voltage	I _O = -100 μA	1.65 to 5.5 V	V _{CC} - 0.1	V _{CC} - 0.02	-	V
		I _O = -1 mA	1.65 to 5.5 V	V _{CC} - 0.15	V _{CC} - 0.08	-	V
		I _O = -4 mA	1.65 V	1	1.35	-	V
			2.3 V	1.8	2.0	-	V
			3.0 V	2.6	2.7	-	V
			4.5 V	4.2	4.4	-	V
		I _O = -8 mA	2.3 V	1.4	1.7	-	V
			3.0 V	2.2	2.5	-	V
			4.5 V	3.9	4.1	-	V
		I _O = -16 mA	3.0 V	1.5	2.0	-	V
			4.5 V	3.3	3.8	-	V
		I _O = -24 mA	4.5 V	3.0	3.5	-	V
I _{CC}	Quiescent supply current	V _I = V _{CC} or GND I _O = 0 mA	5.5 V	-	116	205	μA
I _I	Input current	V _I = V _{CC} or GND	1.65 to 5.5 V	-	-	±1	μA
I _{OFF}	Powerdown leakage current ⁽¹⁾	V _I = V _{CC} or GND	OFF ⁽²⁾	-	-	5	μA

⁽¹⁾ into any input or output port

⁽²⁾ V_{CC} is at GND potential

Table 7: DC Electrical Transfer Characteristics

SYMBOL	PARAMETER	V _{CC}	MIN	TYP	MAX	UNITS
V _{T+}	Positive-going threshold voltage	1.65 V	0.99	1.12	1.21	V
		2.30 V	1.35	1.54	1.65	V
		3.00 V	1.72	1.97	2.1	V
		4.50 V	2.6	2.88	3.06	V
		5.50 V	3.01	3.48	3.68	V
V _{T-}	Negative-going threshold voltage	1.65 V	0.53	0.62	0.8	V
		2.30 V	0.76	0.87	1.1	V
		3.00 V	1	1.16	1.45	V
		4.50 V	1.53	1.79	2.1	V
		5.50 V	1.95	2.22	2.5	V
ΔV _T	Input hysteresis (V _{T+} - V _{T-})	1.65 V	0.32	0.5	0.62	V
		2.30 V	0.45	0.67	0.8	V
		3.00 V	0.6	0.82	1	V
		4.50 V	0.8	1.1	1.25	V
		5.50 V	0.95	1.26	1.42	V

5.4 DYNAMIC CHARACTERISTICS

All parameters are specified across the entire operating temperature range unless otherwise specified.

Table 8: AC Electrical Characteristics

SYMBOL	PARAMETER	CONDITIONS	V _{CC}	MIN	TYP	MAX	UNITS
$t_{pd}^{(1)}$	Propagation Delay (Input A_n or B_n to output Y)	$C_L = 50 \text{ pF}$	4.5 to 5.5 V	-	6.5	17	ns
			3.0 to 3.6 V	-	8.9	19	ns
			2.3 to 2.7 V	-	10.2	21	ns
			1.65 to 1.95 V	-	15.7	38	ns
C_{in}	Input Capacitance ⁽²⁾	$V_I = V_{CC}$ or GND	1.65 to 5.5 V	-	2	4	pF
C_{pd}	Power Dissipation Capacitance ⁽²⁾	$I_o = 0 \text{ mA}$ $f = 1 \text{ MHz}$	5.5 V	-	40	-	pF

⁽¹⁾ equivalent to t_{PLH} , t_{PHL}

⁽²⁾ guaranteed by design

5.5 RADIATION RESILIENCE

For detailed radiation testing reports, please contact Apogee Semiconductor at sales@apogeesemi.com.

Table 9: Radiation Resilience Characteristics

PARAMETER	CONDITIONS	VALUE	UNITS
Total Ionizing Dose (TID)	Please contact Apogee Semiconductor for test report.	300	krad (Si)
SEL Onset LET Threshold	Please contact Apogee Semiconductor for test report.	≥ 75	MeV-cm ² /mg

5.6 CHARACTERISTICS MEASUREMENT INFORMATION

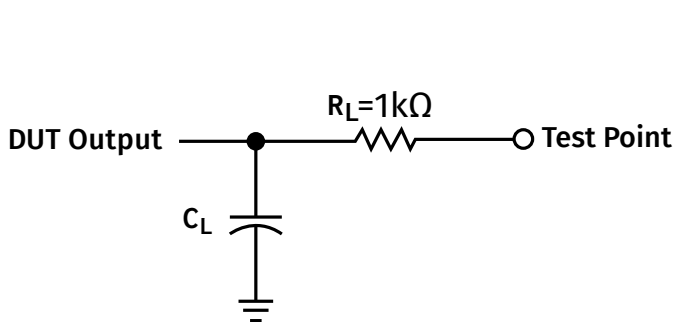


Figure 3: Load Circuit

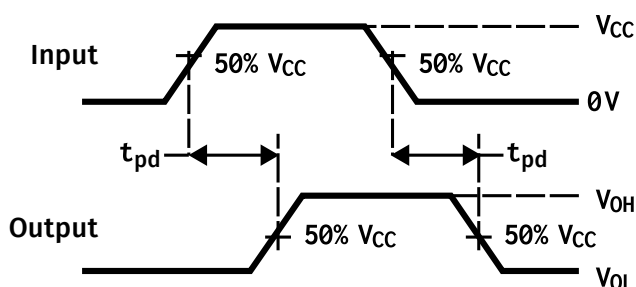


Figure 4: Propagation Delay Measurement

6 DETAILED DESCRIPTION

The AF54RHC132 is a quad 2-Input NAND gate with Schmitt trigger inputs intended to perform the Boolean function **NAND** ($Y = \overline{A \cdot B}$) in positive logic. Designed to operate from a wide supply voltage of 1.65 to 5.5 V, it has fully redundant input and output stages providing for superior resiliency to single event effects.

The output and input stages are constructed with transient-activated clamps (Figure 5, 6) that prevent inadvertent biasing of the V_{CC} power rail through parasitic diodes inherent to conventional input, output, and ESD circuits. The IC also incorporates an internal power-on reset (POR) circuit that prevents the output from driving erroneous results during power-on, and guarantees correct operation at power supply voltages as low as 1.65 V. While the supply is ramping, the POR holds the output buffers in tri-state, a feature that prevents unwanted DC current during cold sparing on input and output pins.

The AF54RHC family's I/O protection circuitry allows for cold sparing configurations as it avoids a leakage current penalty on inputs and outputs while in a power-down state. This can result in considerable power savings in systems where multiple-path redundancy is employed. The ESD clamp circuits for this logic family are designed to support Class 1C ESD levels of 1 kV HBM and 500 V CDM.

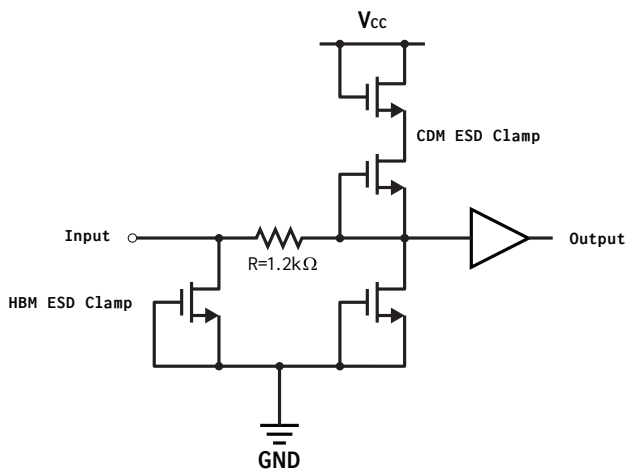


Figure 5: Input Pin Structure

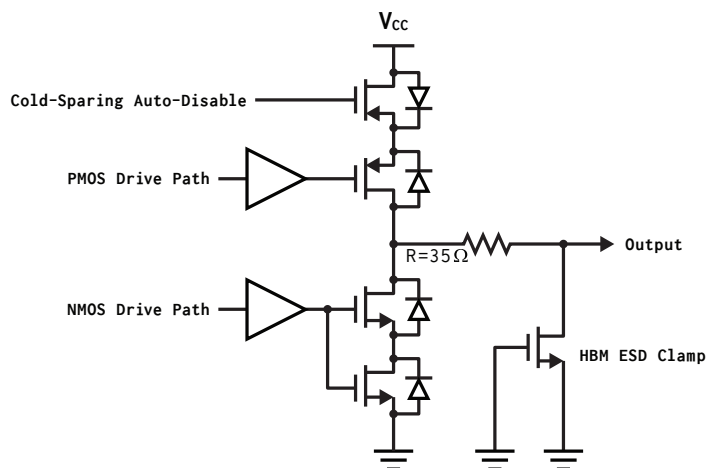


Figure 6: Output Pin Structure

7 APPLICATIONS INFORMATION

The Schmitt trigger operation of this gate allows for it to be used in applications where input signals with slow ramps or additive noise exist. Slow rising input signals into CMOS inputs may cause “shoot-through” to occur on conventional input gates, but is resolved by the Schmitt trigger operation of the AF54RHC132 and its input hysteresis that results in no input rise or fall time limitations. Additionally, the Schmitt trigger operation and level conversion offered by this IC will guarantee that gate outputs exhibit clean and fast transitions at the appropriate V_{CC} level(s).

7.1 USE IN COLD-SPARING CONFIGURATION

As the AF54RHC family is radiation-hardened by design and includes internal TMR, it can be utilized in high-reliability applications without additional supporting circuitry or devices. Nonetheless, some application requirements call for fully-redundant designs, where an “A” and a “B” device are required, often on separate power rails.

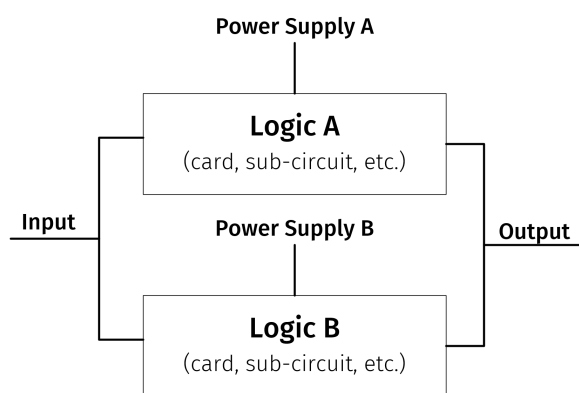


Figure 7: Two-Path Cold-Sparing Configuration

With the cold sparing capability of the AF54RHC family, fully redundant “A” and “B” functions may be placed in parallel (as seen in Figure 7) running off redundant power supplies. The inputs and outputs on each one of these functions are assumed to be based on the AF54RHC family, allowing for direct parallel connection without unwanted leakage current paths during cold sparing. In the event of a failure in power supply A or within function A, the system can simply shut power supply A off and switch on power supply B, without requiring additional input or output switching or configuration changes.

7.2 POWER SUPPLY RECOMMENDATIONS

This device can operate at any voltage within the range specified in [Table 4 Recommended Operating Conditions](#).

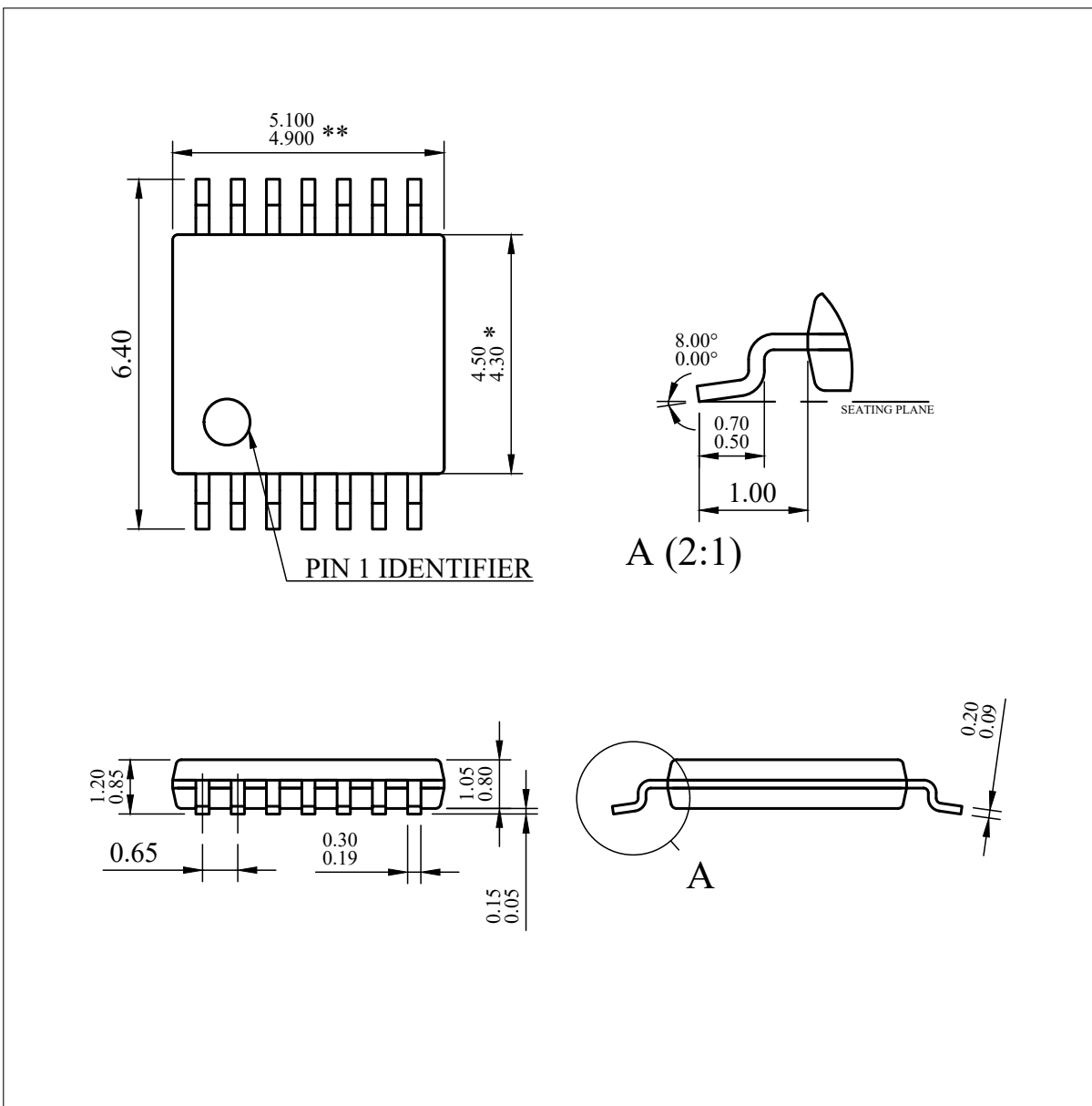
At a minimum, a 16 VDC (or higher), X7R-rated 0.1 μF ceramic decoupling capacitor should be placed near (within 1 cm) the V_{CC} pin of the device.

7.3 APPLICATION TIPS

Unused **inputs** must **not** be left floating. They may be connected to either a low (GND) or high (V_{CC}) bias to provide a known state at the input of the device. Resistors may be used to tie off unused inputs. In the event of a design change, such resistors can be removed, thereby allowing use of the inputs without having to cut traces on the PCB.

An unused **output** may be left floating. It is suggested that it be routed to a test point or similar accessible structure in case the gate needs to be utilized as part of a design revision.

8 PACKAGING INFORMATION



Notes:

1. All linear dimensions are in millimeters. Dimensioning and tolerancing are as per ISO/TS 128-71:2010
2. The part is compliant with JEDEC MO-153 specifications.

* Body width does **not** include interlead flash. Interlead flash shall not exceed 0.25 mm each side.

** Body length does **not** include mold flash, protrusion, or gate burrs. Mold flash, protrusions, and gate burrs shall not exceed 0.15 mm on each side.

Figure 8: Package Mechanical Drawing

9 ORDERING INFORMATION

Example part numbers for the AF54RHC132 are listed in Table 10. The full list of options for this part can be found in Figure 9. For a detailed description of product grades, please refer to [Product Grades and Quality Flows document](#). Please contact Apogee Semiconductor sales at sales@apogeesemi.com for further information on sampling, lead time and purchasing on specific part numbers.

Table 10: AF54RHC132 Ordering Information

DEVICE	DESCRIPTION	PACKAGE	LEAD FINISH	PACKAGE DIAGRAM	PACKAGE MASS
AF54RHC132ANT-R	Rad-Hard Quad 2-Input NAND Gate (300 krad (Si))	TSSOP-14	NiPdAu	14-NT	58 mg
AF54RHC132ANT-J ⁽¹⁾	Rad-Hard Quad 2-Input NAND Gate (300 krad (Si))	TSSOP-14	NiPdAu	14-NT	58 mg
AF54RHC132BNT-R	Rad-Hard Quad 2-Input NAND Gate (300 krad (Si))	TSSOP-14	NiPdAu	14-NT	58 mg
AF54RHC132BNT-J ⁽¹⁾	Rad-Hard Quad 2-Input NAND Gate (300 krad (Si))	TSSOP-14	NiPdAu	14-NT	58 mg
AF54RHC132CNT-R	Rad-Hard Quad 2-Input NAND Gate (300 krad (Si))	TSSOP-14	NiPdAu	14-NT	58 mg
AF54RHC132CNT-J ⁽¹⁾	Rad-Hard Quad 2-Input NAND Gate (300 krad (Si))	TSSOP-14	NiPdAu	14-NT	58 mg
AF54RHC132ENT-R	Rad-Hard Quad 2-Input NAND Gate (for eval only)	TSSOP-14	NiPdAu	14-NT	58 mg
AF54RHC132ENT-J ⁽¹⁾	Rad-Hard Quad 2-Input NAND Gate (for eval only)	TSSOP-14	NiPdAu	14-NT	58 mg

⁽¹⁾ Available through distributors only.

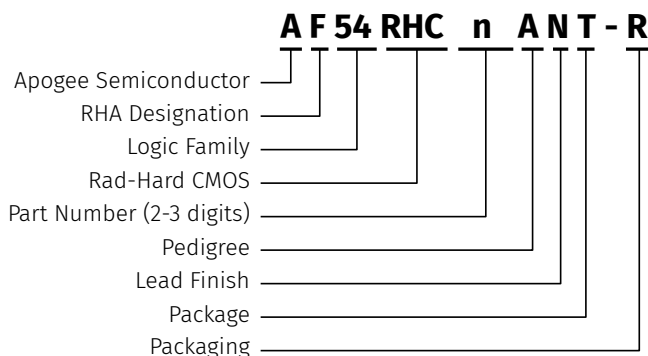


Figure 9: Part Number Decoder

- RHA Designation
 - P** 30 krad (Si)
 - F** 300 krad (Si)
- Part Number
 - 132** (Quad 2-Input NAND gate with Schmitt trigger inputs)
- Pedigree
 - A** -55 to +125 °C (Burn-in)
 - B** -55 to +125 °C (No burn-in)
 - C** 25 °C (No burn-in)
 - E** 25 °C Functional Test Only (Evaluation)
- Lead Finish
 - N** Nickel-Palladium-Gold (NiPdAu)
- Package
 - T** 14-pin Thin Shrink Small Outline Package (TSSOP)
- Packaging
 - R** Tape and Reel⁽¹⁾
 - J** JEDEC Tray

⁽¹⁾ [Contact us](#) for custom reel quantities. Orders less than full reel quantities may be shipped as cut tape.

10 REVISION HISTORY

REVISION	DESCRIPTION	DATE
A03	SEL onset threshold was corrected from ≥ 80 MeV-cm ² /mg to ≥ 75 MeV-cm ² /mg. Updated ordering information.	2025-08-29
A02	Updated ESD protection level from Class 2 4000 V HBM to Class 1C 1000 V HBM.	2025-06-19
A01	Updated features bullets, relaxed 1mA V _{OL} specification to 0.15V	2025-02-28
A00	Initial internal release	2024-04-29

For the latest version of this document, please visit <https://www.apogeesemi.com>.

11 LEGAL

All product, product specifications and data are subject to change without notice.

Apogee Semiconductor provides technical data (such as datasheets), design resources (including reference designs), reliability data (including performance in radiation environments), application or other design advice, safety information, and other resources **“as is”** and with all faults, and disclaims all warranties, express and implied, including without limitation any implied warranties of merchantability, fitness for a particular purpose or non-infringement of third party intellectual property rights. These resources are intended for skilled engineers with understanding of high reliability and high radiation environments and its complexities.

Apogee Semiconductor is not responsible for: (1) selecting the suitable products for a given application, (2) designing, verifying, validating and testing it, or (3) ensuring that it meets any performance, safety, security, or other requirements. These resources are subject to change without advance notice. The use of these resources is restricted to the development of an application that uses the Apogee Semiconductor products described in them. Other reproduction and display of these resources is prohibited. No license is granted to any other Apogee Semiconductor intellectual property right or to any third-party intellectual property right.

Apogee Semiconductor disclaims responsibility and reserves the right to demand indemnification for any claims, damages, costs, losses, and liabilities arising out of wrongful use of these resources. The products are provided subject to Apogee Semiconductor's [Terms of Sale](https://www.apogeesemi.com/terms) (<https://www.apogeesemi.com/terms>) or other applicable terms provided in conjunction with applicable products. The provision of these resources does not expand or otherwise alter applicable warranties or warranty disclaimers for Apogee Semiconductor products.

Purchasers of these products acknowledge that they may be subject to and agree to abide by the United States laws and regulations controlling the export of technical data, computer software, electronic hardware and other commodities. The transfer of such items may require a license from the cognizant agency of the U.S. Government.