

CPE Outdoor Enclosure IP65



Key Features

- IP65 Weatherproof Protection
- Integrated PoE Support
- Flexible Mounting Options
- Industrial-Grade Construction
- Ideal for Outdoor IoT Deployment

Typical Applications

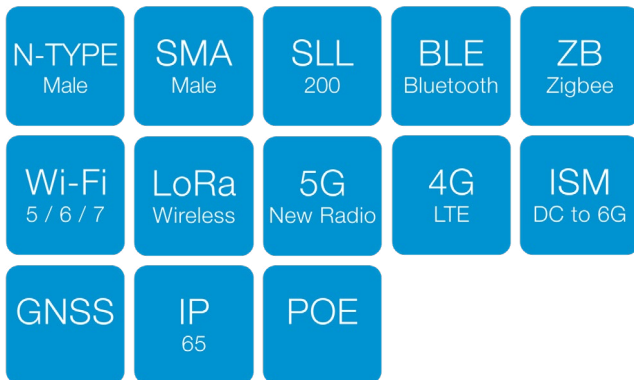
- Smart City Infrastructure
- Transportation & Mobility
- Renewable Energy & Utilities
- Security & Surveillance
- Rural & Remote Connectivity

Accessories

- 3 x SMA to N-Type with O-ring Pigtales
- 1 x PoE Injector 24V1A (UK & EU Power Cables)
- 1 x PoE Splitter with RJ45 Cable Gland
- Pole / Wall Mount Kit
- 3 x Oscar70 Wideband Antennas + 1 x GPS Antenna (Optional)

Supported Product Series

- QUARTZ-COMPACT
- QUARTZ-LITE
- QUARTZ-LITE-DUAL
- QUARTZ-GOLD



Ordering Details:

Part Number	Part Name	Description
62687	CPE-OE-POE-IP65	CPE Outdoor Enclosure IP65 with POE Injector
62686	CPE-OE-POE-IP65-OSCAR	CPE Outdoor Enclosure IP65 with POE Injector + Antennas



CPE Outdoor Enclosure IP65

Hardware Interface

N-TYPE Bulkhead Female (To the antennas):	4x
SMA Male (To the antenna ports on the router):	2x
RP-SMA Male (To the antenna port on the router):	2x
RJ45 PoE Splitter:	1x
Input:	RJ45 with POE
Output:	RJ45 without PoE and 2.1mm DC Barrel Jack

Mechanical Specifications

Dimensions:	2355 x 200 x 750 mm
Weight:	1.25 k`g (excluding antenna and PoE Injector)

POE Injector Specification

Dimensions:	93 x 58 x 33 mm
Weight:	158.5g
Port:	Gigabit
Input Voltage:	100-240V ~ 50-60Hz
Input Current:	0.6A@240VAC / 0.4A@240VAC
Output:	24V DC 1A
Power Pins:	Pin 4 & 5 (V+) / Pin 7 & 8 (GND)
Operating Temperature:	0°C to 40°C
Certification:	CE, FCC, IC, UL

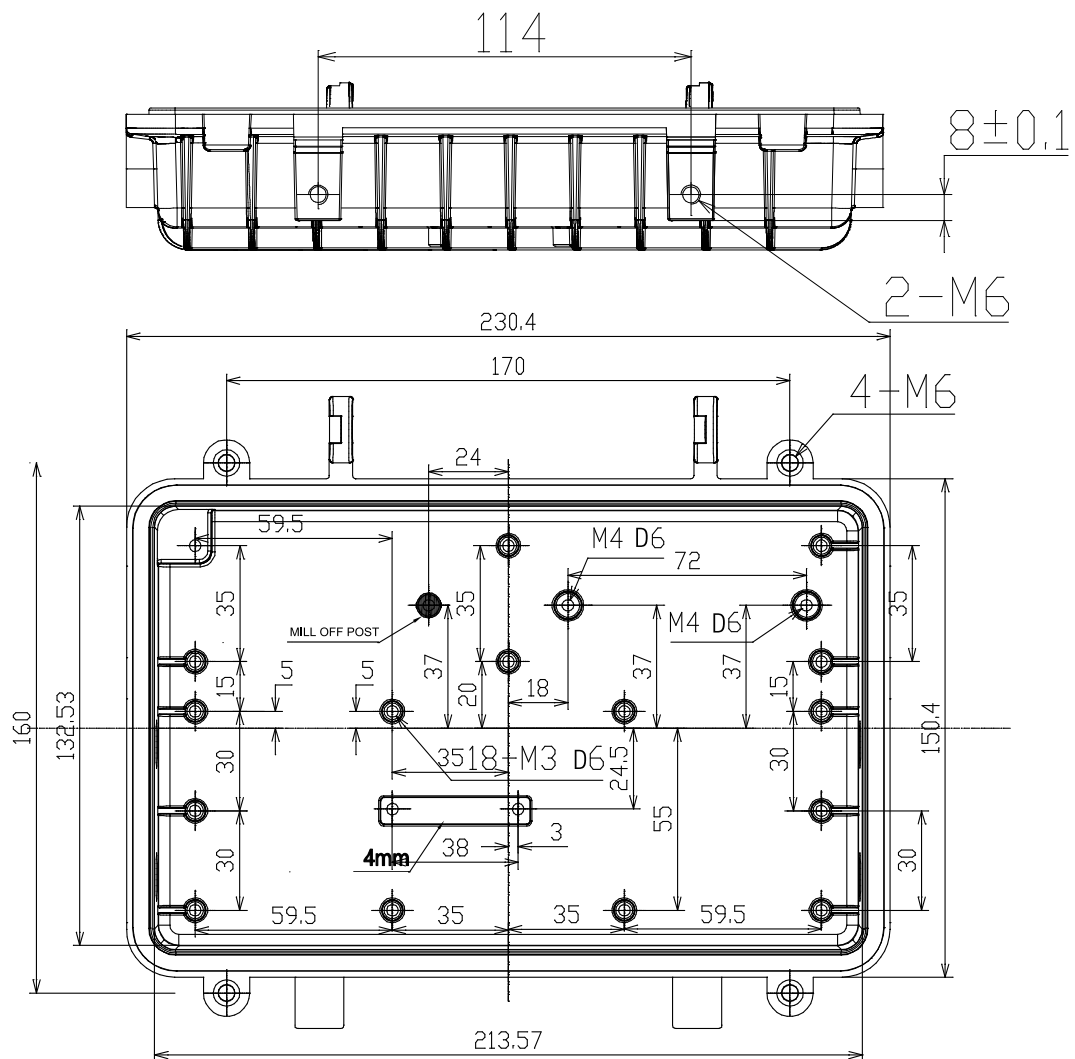
Optional Antenna Bundle

OSCAR 70 N-TYPE Wideband 5G / 4G / Wi-Fi Antennas	3x
GPS N-TYPE Antennas	1x

CPE Outdoor Enclosure IP65

Dimensional Drawing

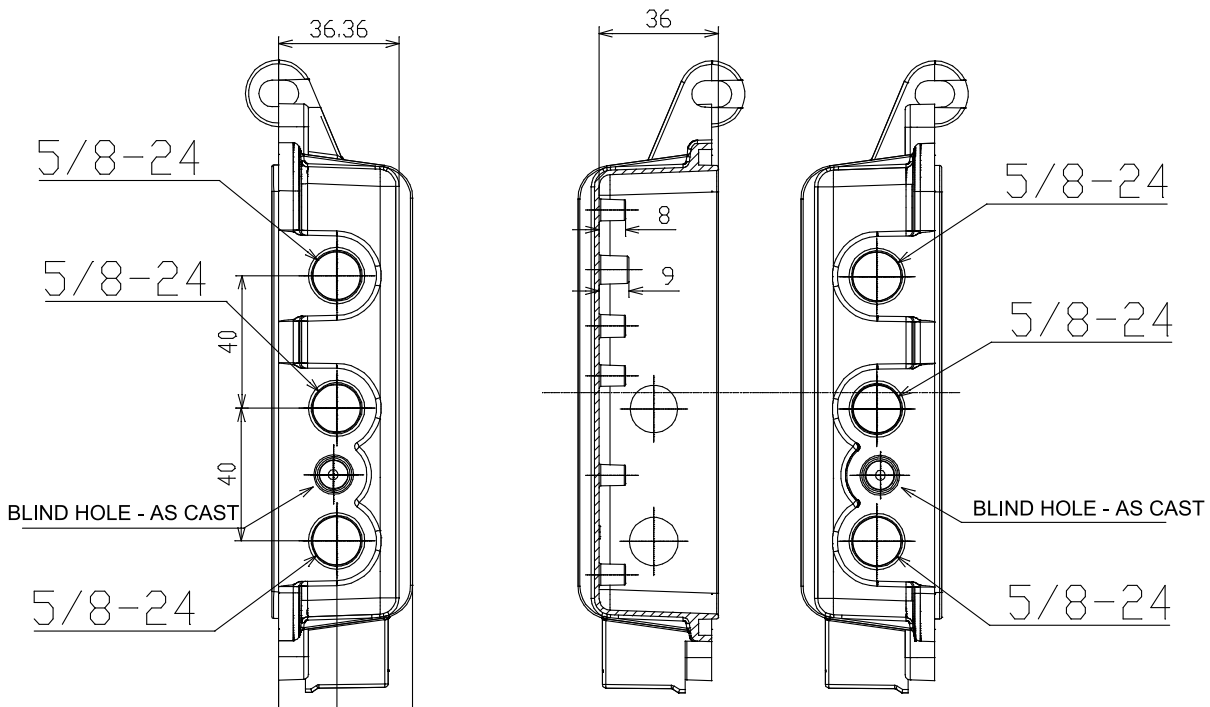
Unit: mm



CPE Outdoor Enclosure IP65

Dimensional Drawing

Unit: mm



CPE Outdoor Enclosure IP65

Dimensional Drawing

Unit: mm

