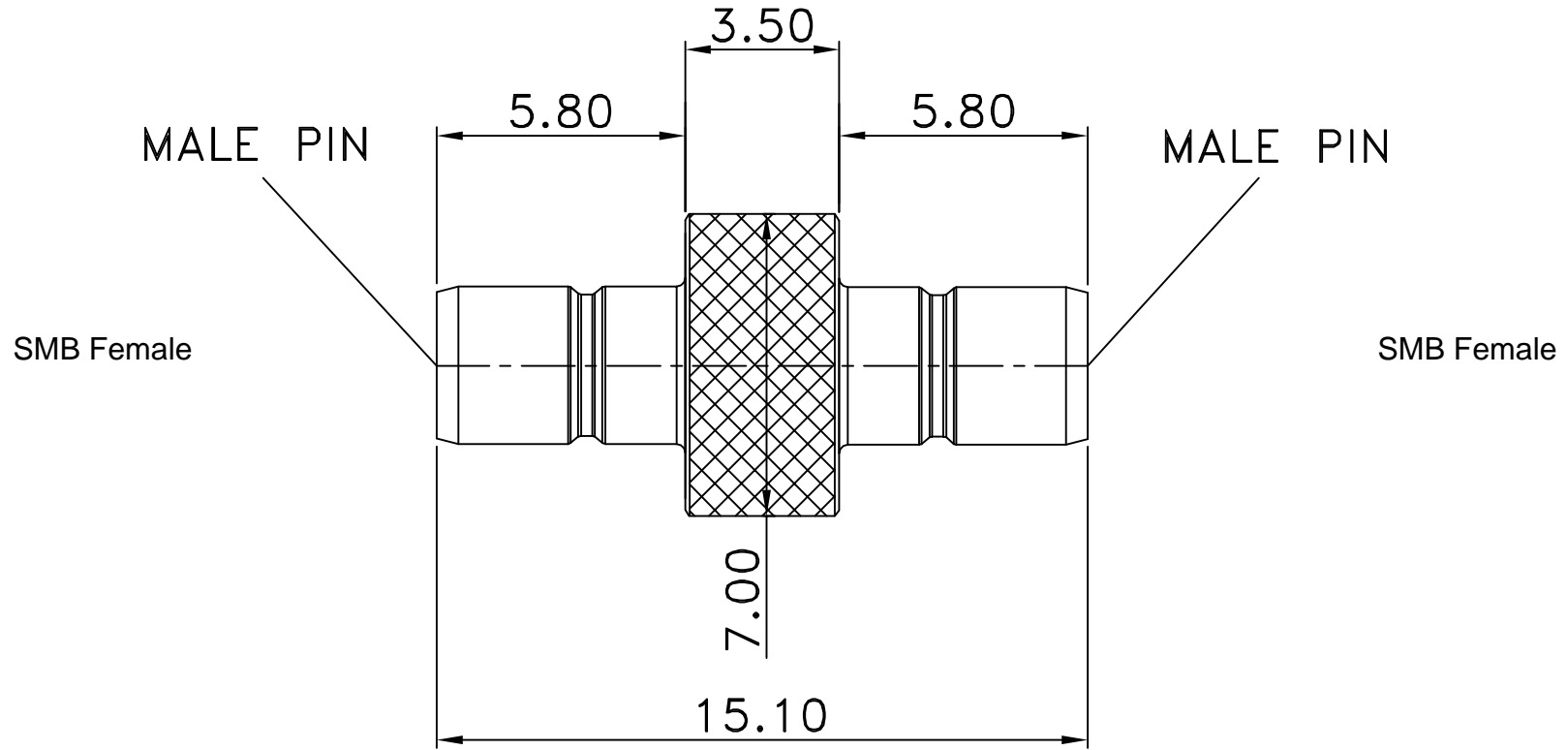


REV	DESCRIPTION	DRAWN	DATE



4	DIELECTRIC	1	TEFLON	NONE	<b>UNLESS OTHERWISE SPECIFIED</b> 1.REMOVE ALL BURRS. 2.BREAK ALL CONNERS & EDGES CO.15 MAX. 3.CHAMFER 1ST & LAST THREADS 45°. 4.DIAMETERS ON COMMON CENTERS. TO BE CONCENTRIC WITHIN 0.1 T.I.R. 5.ALL DIMENSIONS ARE AFTER PLATING.	<b>* MAJOR DIMENSION</b> UNLESS OTHERWISE NOTED TOLERANCES 0.5-6=±0.2 6-30=±0.4 30-120=±0.6 120-315=±1.0 ANGLES=±1°			APPROVED	Danny				
3	PIN	1	BRASS	GOLD					CHECKED	Danny		TITLE	SMB FEMALE TO SMB FEMALE	
2	BODY	1	BRASS	GOLD					DRAWN	Andrew		DRAWING NO.	ADAPT/SMBF/SMBF	REV
1	BODY	1	BRASS	GOLD					DRAWN DATE 03/06/07		FILE NO.			
NO	Description	Q'ty	Material	Finish					SCALE	6/1	UNIT	MM		