

ME MAX 6,2 SP 4-4 KMGY - Electronics housing



2713104

<https://www.phoenixcontact.com/us/products/2713104>

Please be informed that the data shown in this PDF document is generated from our online catalog. Please find the complete data in the user documentation. Our general terms of use for downloads are valid.



DIN rail housing, Complete housing, tall design, with spring-cage connection, width: 6.3 mm, height: 93.1 mm, depth: 101.2 mm, color: light gray (similar RAL 7035), cross connection: without bus connector, number of positions cross connector: not relevant

Your advantages

- Easy installation
- Available in overall widths from 6.2 mm ... 90 mm, modular extension possible
- Variety of connection technology
- Can be mounted on the DIN rail
- With DIN-rail-mountable bus connector and power connector system as an option
- Transparent front cover can be swiveled

Commercial data

Item number	2713104
Packing unit	10 pc
Minimum order quantity	1 pc
Sales key	AC08
Product key	ACHABA
GTIN	4017918984786
Weight per piece (including packing)	40.4 g
Weight per piece (excluding packing)	34.407 g
Customs tariff number	85369010
Country of origin	DE

2713104

<https://www.phoenixcontact.com/us/products/2713104>

Technical data

Notes

Assembly note	Please observe the application note in the download area.
Recommendation	Material of contact pads for bus connector, galvanic gold (hard gold)

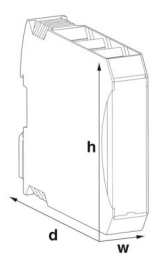
Product properties

Product type	Complete housing
Housing type	DIN rail housing
Housing series	ME-MAX
Product family	ME MAX 6,2..
Number of positions	8
Max. number of positions	8 (pitch: 3.5 mm)
Number of rows	4
Ventilation openings present	no
Pin layout	Linear pinning

Connection data

Connection method	Spring-cage connection
-------------------	------------------------

Dimensions

Dimensional drawing	
Width	6.3 mm
Height	93.1 mm
Depth	101.2 mm
Depth from top edge of DIN rail	95 mm

PCB design

PCB thickness	1.4 mm ... 1.8 mm
---------------	-------------------

Material specifications

Color (Housing)	light gray (RAL 7035)
Material	PBT
Flammability rating according to UL 94	V0
CTI according to IEC 60112	600
Surface characteristics	untreated

2713104

<https://www.phoenixcontact.com/us/products/2713104>

Environmental and real-life conditions

Ambient conditions

Max. IP code to attain	IP20
Ambient temperature (operation)	-40 °C ... 105 °C (depending on power dissipation)
Ambient temperature (storage/transport)	-40 °C ... 70 °C
Ambient temperature (assembly)	-5 °C ... 100 °C
Relative humidity (storage/transport)	95 %

PCB data

Number of PCB holders	1
Type of PCB mount	Latching
Thickness of the PCB	1.4 mm ... 1.8 mm

Mounting

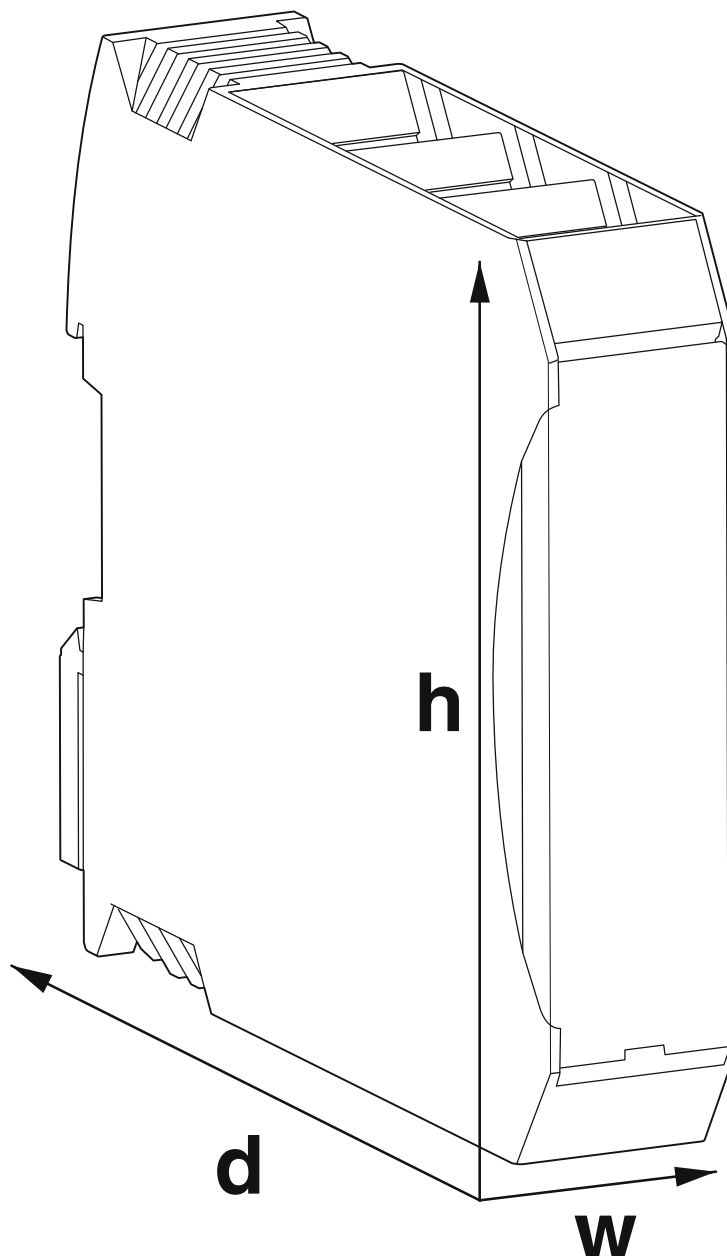
Mounting type	DIN rail mounting
Pin layout	Linear pinning

Packaging specifications

Type of packaging	packed in cardboard
Outer packaging type	Carton

Drawings

Dimensional drawing



Schematic figure for illustrating the item dimensions. The figure is not of the desired product. For further details, refer to the product drawings in the "Downloads" tab.

ME MAX 6,2 SP 4-4 KMGY - Electronics housing





2713104

<https://www.phoenixcontact.com/us/products/2713104>

Approvals

To download certificates, visit the product detail page: <https://www.phoenixcontact.com/us/products/2713104>

 cUL Recognized Approval ID: FILE E 60425				
	Nominal voltage U_N	Nominal current I_N	Cross section AWG	Cross section mm^2
B	300 V	8 A	24 - 12	-
D	300 V	8 A	24 - 12	-

 UL Recognized Approval ID: FILE E 60425				
	Nominal voltage U_N	Nominal current I_N	Cross section AWG	Cross section mm^2
B	300 V	8 A	24 - 12	-
D	300 V	8 A	24 - 12	-

ME MAX 6,2 SP 4-4 KMGY - Electronics housing



2713104

<https://www.phoenixcontact.com/us/products/2713104>

Classifications

ECLASS

ECLASS-13.0	27190501
ECLASS-15.0	27190501

ETIM

ETIM 9.0	EC001031
----------	----------

UNSPSC

UNSPSC 21.0	31261500
-------------	----------

ME MAX 6,2 SP 4-4 KMGY - Electronics housing



2713104

<https://www.phoenixcontact.com/us/products/2713104>

Environmental product compliance

EU RoHS

Fulfills EU RoHS substance requirements	Yes, No exemptions
---	--------------------

China RoHS

Environment friendly use period (EFUP)	EFUP-E
	No hazardous substances above the limits

EU REACH SVHC

REACH candidate substance (CAS No.)	No substance above 0.1 wt%
-------------------------------------	----------------------------

Phoenix Contact 2025 © - all rights reserved
<https://www.phoenixcontact.com>

Phoenix Contact USA
586 Fulling Mill Road
Middletown, PA 17057, United States
(+717) 944-1300
info@phoenixcon.com