

RC-12S1HX2E0S7 - Device connector rear mounting



1598432

<https://www.phoenixcontact.com/us/products/1598432>

Please be informed that the data shown in this PDF document is generated from our online catalog. Please find the complete data in the user documentation. Our general terms of use for downloads are valid.



M23, Device connector rear mounting, series: RC, straight, shielded: yes, Screw locking mechanism, Radial O-ring, Panel thickness min.: 3 mm, Panel thickness max.: 10.5 mm

Commercial data

Item number	1598432
Packing unit	20 pc
Minimum order quantity	60 pc
Note	Made to order (non-returnable)
Product key	ABRAFL
GTIN	4046356220736
Weight per piece (including packing)	54.56 g
Weight per piece (excluding packing)	54.56 g
Country of origin	DE

RC-12S1HX2E0S7 - Device connector rear mounting



1598432

<https://www.phoenixcontact.com/us/products/1598432>

Technical data

Product properties

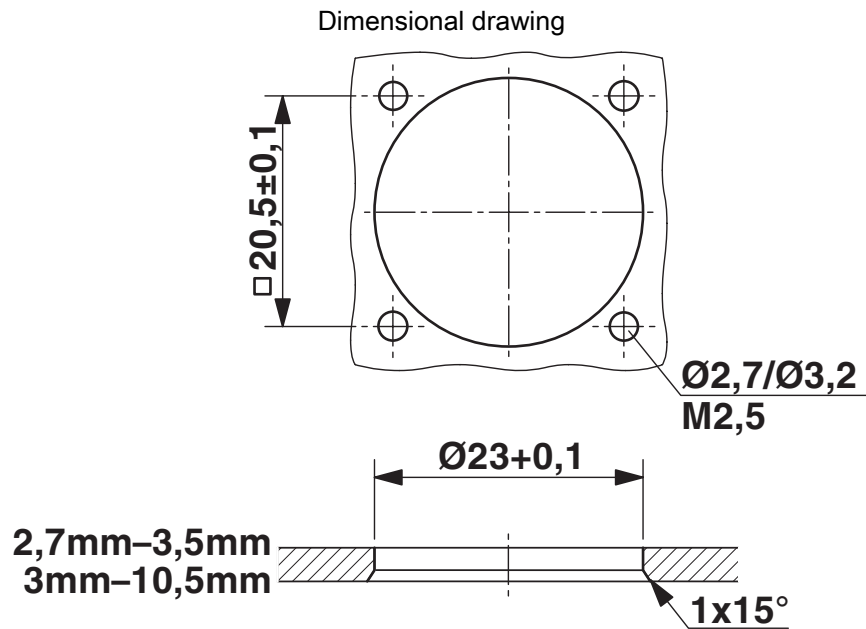
Product type	Circular connectors (device side)
--------------	-----------------------------------

Connector

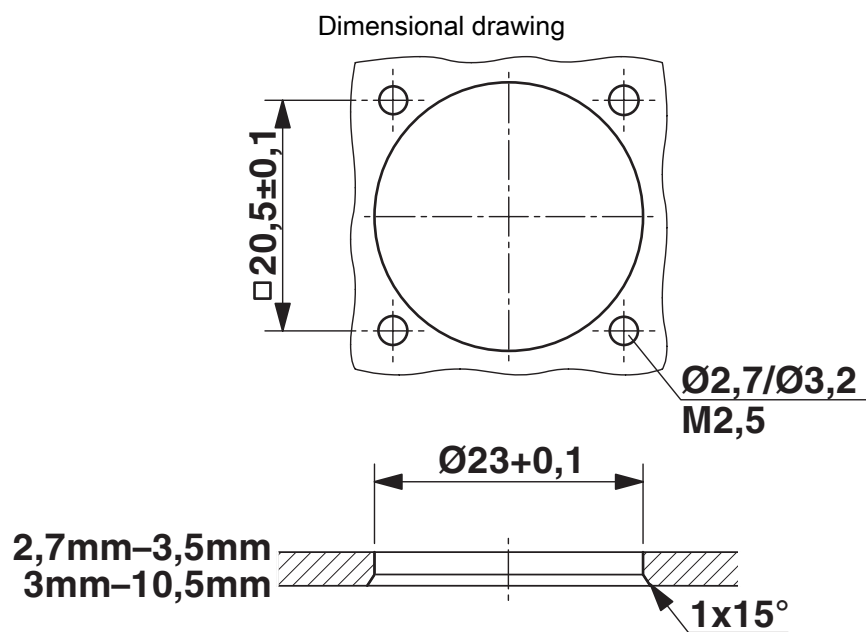
Housing

Type	Flange housing
Thread type	M23
Design	straight
Type of locking	Screw locking mechanism
Pg screw connection	none
Mounting type	Rear mounting/square flange (4x M3)
Material (Housing)	GD-Zn
Material (Housing surface)	Ni
Material (Rotating parts)	CuZn
Degree of protection (plugged in)	IP67
Seal for the device	Radial O-ring

Drawings



Installation dimensions



Installation dimensions

1598432

<https://www.phoenixcontact.com/us/products/1598432>

Environmental product compliance

China RoHS

Environment friendly use period (EFUP)	EFUP-50
	An article-related China RoHS declaration table can be found in the download area for the respective article under "Manufacturer declaration". For all articles with EFUP-E, no China RoHS declaration table issued and required.

EU REACH SVHC

REACH candidate substance (CAS No.)	No substance above 0.1 wt%
-------------------------------------	----------------------------

Phoenix Contact 2025 © - all rights reserved
<https://www.phoenixcontact.com>

Phoenix Contact USA
586 Fulling Mill Road
Middletown, PA 17057, United States
(+717) 944-1300
info@phoenixcon.com