

PDCC-E-138FS-3P-NPT12-U80/ 1,0 - Flush-type connector



1423152

<https://www.phoenixcontact.com/us/products/1423152>

Please be informed that the data shown in this PDF document is generated from our online catalog. Please find the complete data in the user documentation. Our general terms of use for downloads are valid.



Flush-type connector, 3-position, Socket, straight, 1-3/8" - 16UN, Standard-coding, Individual wires, cable length: 1 m, PVC litz wire

Commercial data

Item number	1423152
Packing unit	1 pc
Minimum order quantity	1 pc
Sales key	BF37
Product key	AF2IDA
GTIN	4067923054455
Weight per piece (including packing)	22.22 g
Weight per piece (excluding packing)	22.22 g
Country of origin	MX

PDCC-E-138FS-3P-NPT12-U80/ 1,0 - Flush-type connector



1423152

<https://www.phoenixcontact.com/us/products/1423152>

Technical data

Product properties

Product type	Circular connectors (device side)
Number of positions	3
No. of cable outlets	1
Shielded	no

Material specifications

Flammability rating according to UL 94	V-0
Contact material	CuZn
Contact surface material	Au
Contact carrier material	Thermoplastic
Material for screw connection	Anodized aluminum

Electrical properties

Insulation resistance	5000 M Ω
Nominal voltage U_N	600 V AC (UL rating) 50 V AC (IEC rating)
Nominal current I_N	30 A (UL 2237)

Connection data

Conductor connection

Connection method	Individual wires
-------------------	------------------

Mechanical properties

Mechanical data

Insertion/withdrawal cycles	500
-----------------------------	-----

Connector

Connection 1

Head design	Socket
Head cable outlet	straight
Head thread type	1-3/8" - 16UN
Coding	Standard

Cable/line

Cable length	1 m
Cable type	PVC litz wire
Single wire, color	black 1, green 2, white 3
AWG signal line	10
Material wire insulation	PVC

PDCC-E-138FS-3P-NPT12-U80/ 1,0 - Flush-type connector



1423152

<https://www.phoenixcontact.com/us/products/1423152>

Environmental and real-life conditions

Ambient conditions

Degree of protection	IP67
	IP67
Ambient temperature (operation) (male connector/female connector)	-40 °C ... 90 °C (Plug / socket)

Standards and regulations

Standards/specifications	UL 2237
Standard designation	Vibration
Standards/specifications	MIL-STD-202 method 204
Standard designation	Thermal shock
Standards/specifications	MIL-STD-202 method 207
Standard designation	48 hour salt spray
Standards/specifications	MIL-STD-202 method 101

PDCC-E-138FS-3P-NPT12-U80/ 1,0 - Flush-type connector

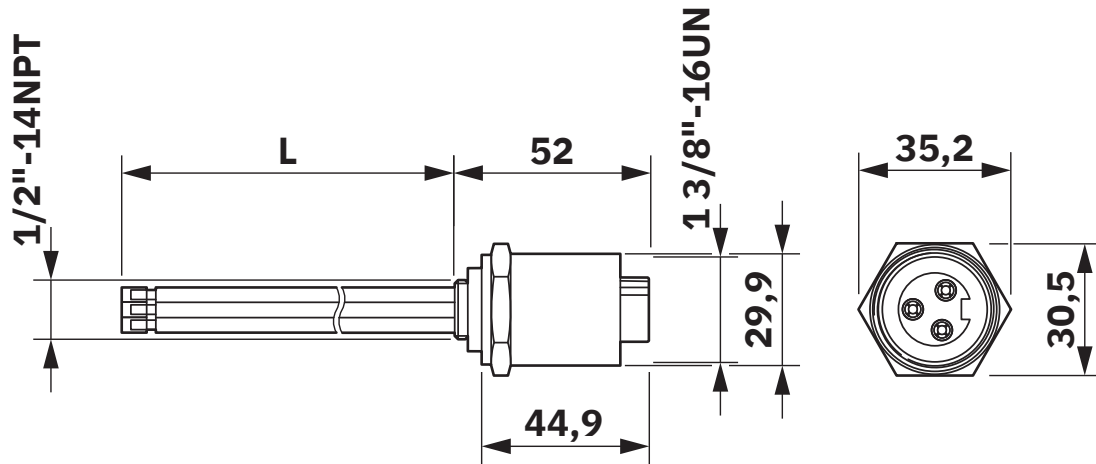


1423152

<https://www.phoenixcontact.com/us/products/1423152>

Drawings

Dimensional drawing



1-3/8" flush-type socket

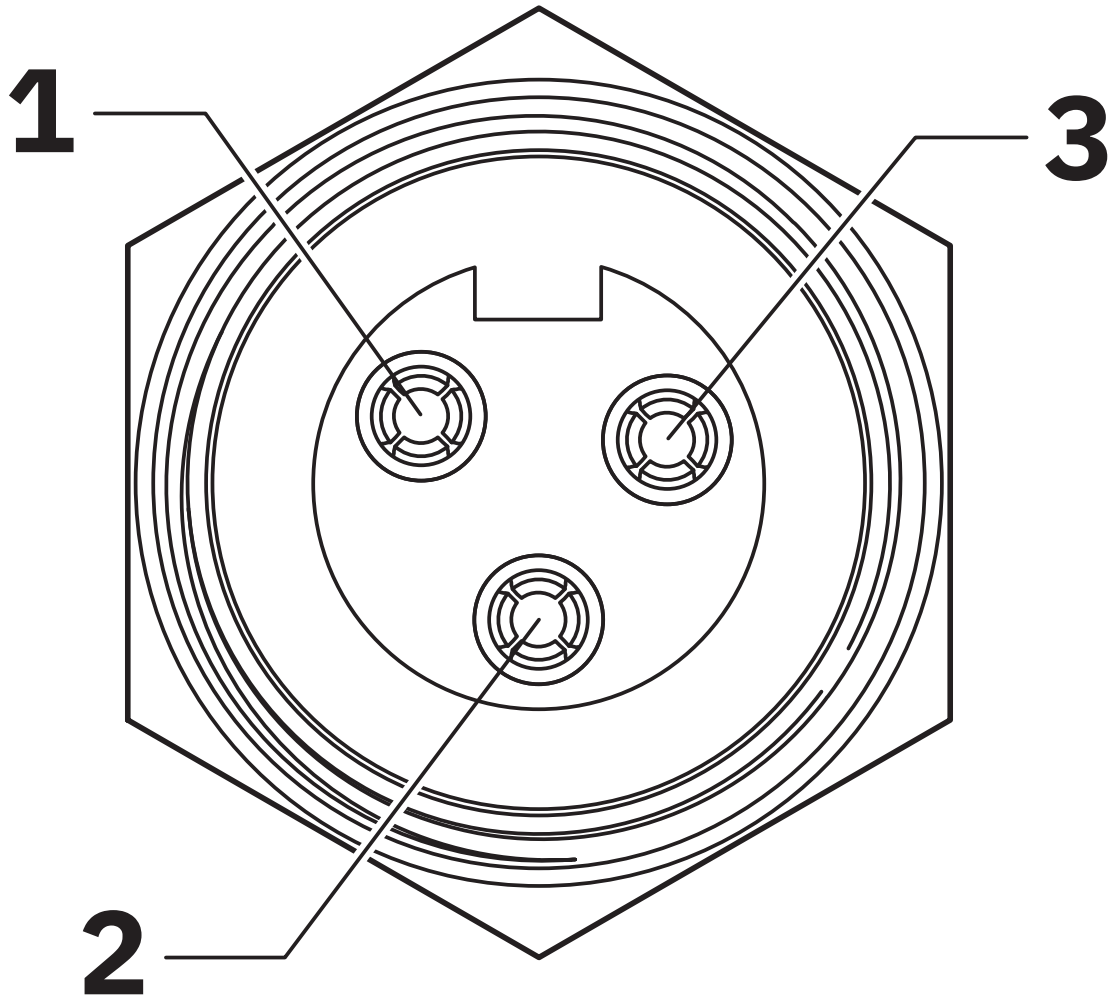
PDCC-E-138FS-3P-NPT12-U80/ 1,0 - Flush-type connector



1423152

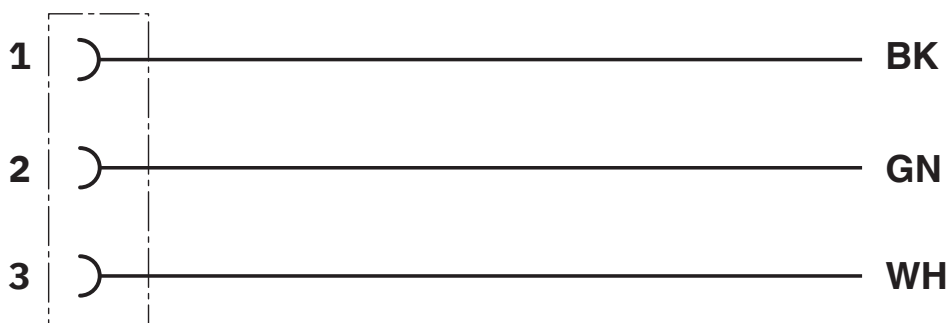
<https://www.phoenixcontact.com/us/products/1423152>

Schematic diagram



Pin assignment, socket, 1-3/8"-16UN, 3-pos., view of female side

Circuit diagram



Contact assignment of the 1-3/8" socket

PDCC-E-138FS-3P-NPT12-U80/ 1,0 - Flush-type connector



1423152

<https://www.phoenixcontact.com/us/products/1423152>

Classifications

ECLASS

ECLASS-13.0	27440109
ECLASS-15.0	27440109

ETIM

ETIM 9.0	EC003569
----------	----------

PDCC-E-138FS-3P-NPT12-U80/ 1,0 - Flush-type connector



1423152

<https://www.phoenixcontact.com/us/products/1423152>

Environmental product compliance

EU RoHS

Fulfills EU RoHS substance requirements	Not applicable, Not qualified for the European market
---	---

China RoHS

Environment friendly use period (EFUP)	EFUP-E
	No hazardous substances above the limits

EU REACH SVHC

REACH candidate substance (CAS No.)	No substance above 0.1 wt%
-------------------------------------	----------------------------

Phoenix Contact 2025 © - all rights reserved
<https://www.phoenixcontact.com>

Phoenix Contact USA
586 Fulling Mill Road
Middletown, PA 17057, United States
(+717) 944-1300
info@phoenixcon.com