

SAC-8PY-M/2XF BK 3-PSR - Y distributor



1054341

<https://www.phoenixcontact.com/us/products/1054341>

Please be informed that the data shown in this PDF document is generated from our online catalog. Please find the complete data in the user documentation. Our general terms of use for downloads are valid.



Y distributor for PSR-CT series RFID transponder switches, M12 male/female, 5- and 8-pos., for signal contact feedback to the PLC

Product description

Type 3 Y distributor for integrated diagnostics via signal contact with PSR-CT safety circuits.

Your advantages

- Easy signal contact feedback to the PLC
- Easy installation with M12 connection
- Eliminates wiring errors

Commercial data

Item number	1054341
Packing unit	1 pc
Minimum order quantity	1 pc
Sales key	BF10
Product key	AF1GAC
GTIN	4055626702506
Weight per piece (including packing)	32.6 g
Weight per piece (excluding packing)	32.6 g
Customs tariff number	85366990
Country of origin	PL

SAC-8PY-M/2XF BK 3-PSR - Y distributor



1054341

<https://www.phoenixcontact.com/us/products/1054341>

Technical data

Product properties

Product type	Y-distributor
Number of positions	8
No. of cable outlets	2
Shielded	no
Coding	A
Thread type	M12

Insulation characteristics

Overvoltage category	II
Degree of pollution	3

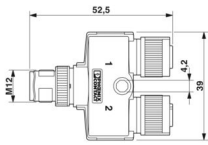
Electrical properties

Insulation resistance	$\geq 100 \text{ M}\Omega$
Nominal voltage U_N	30 V AC
	30 V DC
Nominal current I_N	2 A

Signaling

Status display	no
Status display present	no

Dimensions

Dimensional drawing	
Width	39 mm
Height	16 mm
Length	52.5 mm
Center distance	21 mm

Material specifications

Flammability rating according to UL 94	HB
Seal material	NBR
Material of grip body	TPU, hardly inflammable, self-extinguishing
Contact material	CuZn
Contact surface material	Ni/Au
Contact carrier material	TPU GF
Material for screw connection	Zinc die-cast, nickel-plated

1054341

<https://www.phoenixcontact.com/us/products/1054341>

Connector

Connection 1

Type	Plug straight M12 SPEEDCON
Locking type	SPEEDCON
Coding type	A

Connection 2

Type	Socket straight M12 SPEEDCON
Locking type	SPEEDCON
Coding type	A

Connection 3

Type	Socket straight M12 SPEEDCON
Locking type	SPEEDCON
Coding type	A

Mechanical properties

Mechanical data

Insertion/withdrawal cycles	≥ 100
-----------------------------	-------

Environmental and real-life conditions

Ambient conditions

Degree of protection	IP65
	IP67
Ambient temperature (operation) (male connector/female connector)	-25 °C ... 90 °C (Plug / socket)

Standards and regulations

M12

Standard designation	M12 connector
Standards/specifications	IEC 61076-2-101

SAC-8PY-M/2XF BK 3-PSR - Y distributor

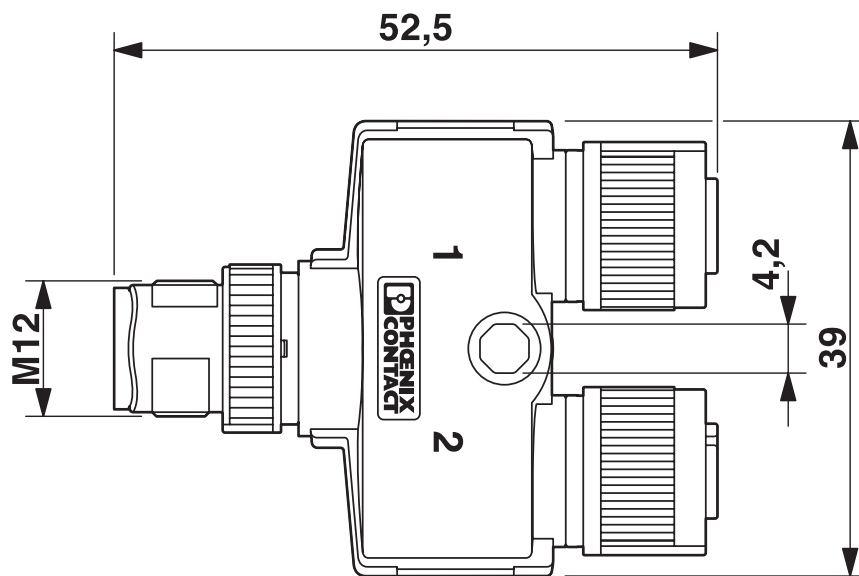


1054341

<https://www.phoenixcontact.com/us/products/1054341>

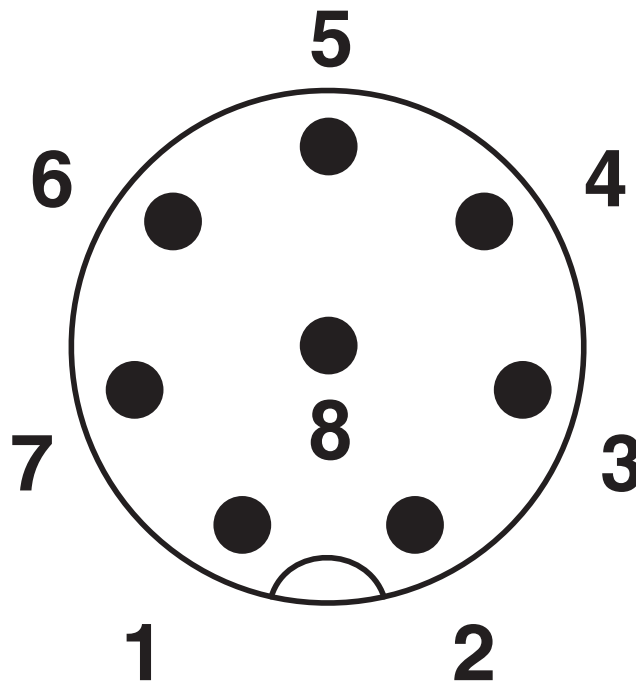
Drawings

Dimensional drawing



M12 Y distributor

Schematic diagram



Pin assignment M12 plug, 8-pos., A-coded, view plug side

1054341

<https://www.phoenixcontact.com/us/products/1054341>

Schematic diagram



Pin assignment M12 socket, 5-pos., A-coded, socket side view

Schematic diagram

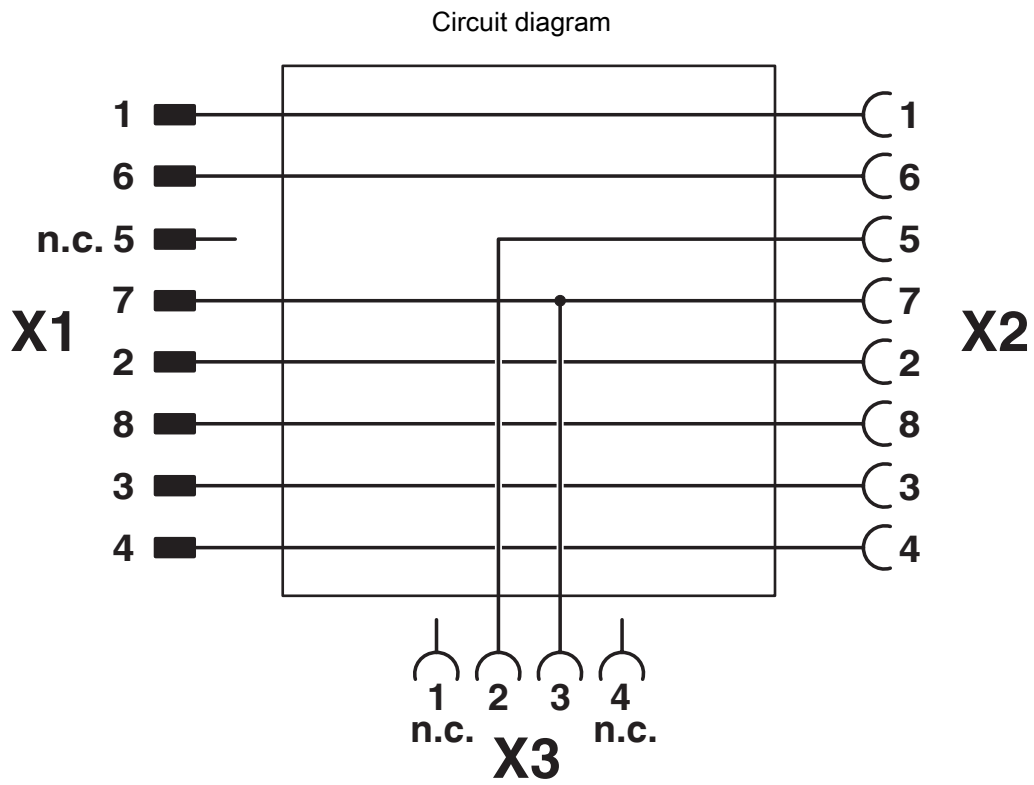


Pin assignment M12 socket, 8-pos., A-coded, view female side

SAC-8PY-M/2XF BK 3-PSR - Y distributor

1054341

<https://www.phoenixcontact.com/us/products/1054341>



Contact assignment of the M12 Y distributor

SAC-8PY-M/2XF BK 3-PSR - Y distributor



1054341

<https://www.phoenixcontact.com/us/products/1054341>

Classifications

ECLASS

ECLASS-13.0	27440106
ECLASS-15.0	27440106

ETIM

ETIM 9.0	EC002925
----------	----------

UNSPSC

UNSPSC 21.0	31251500
-------------	----------

1054341

<https://www.phoenixcontact.com/us/products/1054341>

Environmental product compliance

EU RoHS

Fulfills EU RoHS substance requirements	Yes, No exemptions
---	--------------------

China RoHS

Environment friendly use period (EFUP)	EFUP-E
	No hazardous substances above the limits

EU REACH SVHC

REACH candidate substance (CAS No.)	No substance above 0.1 wt%
-------------------------------------	----------------------------

EF3.0 Climate Change

CO2e kg	1.522 kg CO2e
---------	---------------

Phoenix Contact 2025 © - all rights reserved
<https://www.phoenixcontact.com>

Phoenix Contact USA
586 Fulling Mill Road
Middletown, PA 17057, United States
(+717) 944-1300
info@phoenixcon.com