

AXL SE INC1 ASYM - Function module



1182185

<https://www.phoenixcontact.com/us/products/1182185>

Please be informed that the data shown in this PDF document is generated from our online catalog. Please find the complete data in the user documentation. Our general terms of use for downloads are valid.



Axioline Smart Elements, Position detection module, Incremental encoder input: 1, Asymmetrical encoder, Digital inputs: 2, 24 V DC, degree of protection: IP20

Product description

You can integrate Axioline Smart Elements into systems with the Smart Element interface. This Smart Element detects the positions of incremental encoders.

Your advantages

- Acquisition of digital signals from asymmetrical incremental encoders (A, B, Z)
- Acquisition of pulses of up to 300 kHz
- Evaluating linear or rotary axes
- Power supply for 5 V or 24 V encoder
- 1 input can be used for referencing
- Latch function for quick buffering of positions
- 32-bit register to output the measured increments
- Device rating plate stored

Commercial data

Item number	1182185
Packing unit	1 pc
Minimum order quantity	1 pc
Sales key	DR05
Product key	DRIB61
GTIN	4063151218379
Weight per piece (including packing)	38.44 g
Weight per piece (excluding packing)	35 g
Customs tariff number	85389091
Country of origin	DE

AXL SE INC1 ASYM - Function module

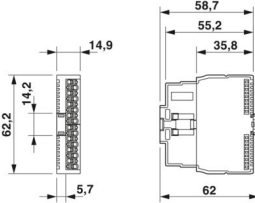


1182185

<https://www.phoenixcontact.com/us/products/1182185>

Technical data

Dimensions

Dimensional drawing	
Width	14.9 mm
Height	62.2 mm
Depth	62 mm

Notes

Note on application

Note on application	Only for industrial use
---------------------	-------------------------

Interfaces

Smart Element interface

Number of interfaces	1
Connection method	Card edge connector
Transmission speed	See system in which you use the Smart Element.
Start time until ready to operate	< 500 ms

System properties

Module

ID code (hex)	none
Process data channel	80 bit
Input address area	10 Byte
Output address area	10 Byte
Required parameter data	19 Byte
Required configuration data	7 Byte

Input data

Digital:

Input name	Digital inputs
Description of the input	EN 61131-2, type 3
Number of inputs	2 (DI Ref, DI L)
Connection method	Push-in connection
Connection technology	1-conductor
Input voltage range "0" signal	-3 V DC ... 5 V DC

AXL SE INC1 ASYM - Function module



1182185

<https://www.phoenixcontact.com/us/products/1182185>

Input voltage range "1" signal	11 V DC ... 30 V DC
Nominal input voltage U_{IN}	24 V DC
Nominal input current at U_{IN}	3 mA
Protective circuit	Transient protection; Suppressor diode

Encoder

Number of inputs	1 (A, B, Z)
Input name	Incremental encoder input
Encoder signals	Asymmetrical encoder
Cable length	< 30 m (Shielded cable)

Product properties

Product type	I/O component
Product family	Axioline Smart Elements
Type	modular
Mounting position	See the system in which the Smart Element is used.

Insulation characteristics

Overvoltage category	II (IEC 60664-1, EN 60664-1)
Pollution degree	2 (IEC 60664-1, EN 60664-1)

Electrical properties

Maximum power dissipation for nominal condition	1.8 W
-------------------------------------------------	-------

Encoder

Number	1 (+5 V)
Nominal output voltage	5 V DC
Voltage range	5 V DC ... 5.5 V DC
Current carrying capacity	max. 300 mA
Protective circuit	Short-circuit protection; Electrical and thermal
	Overload protection
	Transient protection; Suppressor diode
Number	1 (+24 V)
Nominal output voltage	24 V DC
Voltage range	19.2 V DC ... 30 V DC
Current carrying capacity	max. 500 mA
Protective circuit	Short-circuit protection; Electrical (from approx. 600 mA)
	Overload protection
	Transient protection; Suppressor diode
Number	1 (A, B, Z)
Designation	Asymmetrical incremental encoder
Input frequency	max. 300 kHz

Potentials: Communications power supply of the Smart Elements (U_{SE})

Supply voltage	using card edge connectors
----------------	----------------------------

AXL SE INC1 ASYM - Function module



1182185

<https://www.phoenixcontact.com/us/products/1182185>

Potentials: I/O supply (U_p)

Supply voltage	24 V DC (using card edge connectors)
Supply voltage range	19.2 V DC ... 30 V DC (including all tolerances, including ripple)
Current draw	max. 700 mA
	typ. 512 mA
Current consumption	min. 11 mA (without connected peripherals)
Protective circuit	Surge protection; See the system in which the Smart Element is used.
	Reverse polarity protection; Polarity protection diode

Electrical isolation/isolation of the voltage ranges

Test voltage: Communications supply / 24 V supply (I/O)	500 V AC, 50 Hz, 1 min
Test voltage: Communications supply / functional ground	500 V AC, 50 Hz, 1 min
Test voltage: 24 V supply (I/O) / functional ground	500 V AC, 50 Hz, 1 min

Connection data

Connection technology

Connection name	I/O
Note on the connection method	Please observe the information provided on conductor cross-sections in the "AxioLine Smart Elements" user manual.

Conductor connection

Connection method	Push-in connection
Conductor cross-section rigid	0.25 mm ² ... 1.5 mm ²
Conductor cross-section flexible	0.25 mm ² ... 1.5 mm ²
Conductor cross-section AWG	24 ... 16
Conductor cross-section flexible, with ferrule without plastic sleeve	0.25 mm ² ... 1.5 mm ²
Conductor cross-section, flexible, with ferrule, with plastic sleeve	0.25 mm ² ... 1.5 mm ²
Stripping length	8 mm

I/O

Connection method	Push-in connection
Note on the connection method	Please observe the information provided on conductor cross-sections in the "AxioLine Smart Elements" user manual.
Conductor cross-section, rigid	0.25 mm ² ... 1.5 mm ²
Conductor cross-section, flexible	0.25 mm ² ... 1.5 mm ²
Conductor cross-section AWG	24 ... 16
Conductor cross-section, flexible, with ferrule, with plastic sleeve	0.25 mm ² ... 1.5 mm ²
Conductor cross-section flexible, with ferrule without plastic sleeve	0.25 mm ² ... 1.5 mm ²
Stripping length	8 mm

Environmental and real-life conditions

Ambient conditions

AXL SE INC1 ASYM - Function module



1182185

<https://www.phoenixcontact.com/us/products/1182185>

Ambient temperature (operation)	-25 °C ... 60 °C
Degree of protection	IP20
Air pressure (operation)	70 kPa ... 106 kPa (up to 3000 m above sea level)
Air pressure (storage/transport)	70 kPa ... 106 kPa (up to 3000 m above sea level)
Ambient temperature (storage/transport)	-40 °C ... 85 °C
Permissible humidity (operation)	5 % ... 95 % (non-condensing)
Permissible humidity (storage/transport)	5 % ... 95 % (non-condensing)

Standards and regulations

Protection class	III (IEC 61140, EN 61140, VDE 0140-1)
------------------	---------------------------------------

Mounting

Mounting type	Plug-in mounting (Smart Element slot)
Mounting position	See the system in which the Smart Element is used.

AXL SE INC1 ASYM - Function module

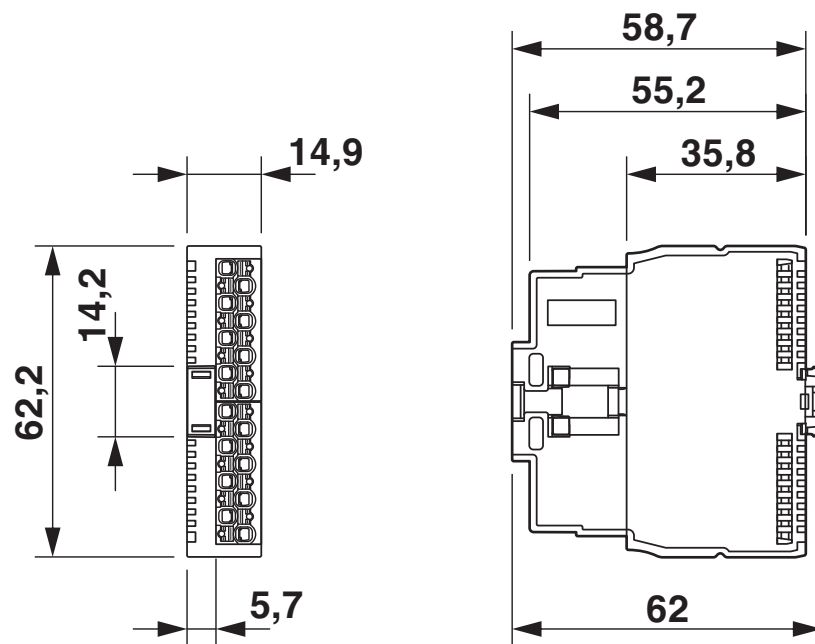
1182185

<https://www.phoenixcontact.com/us/products/1182185>



Drawings

Dimensional drawing



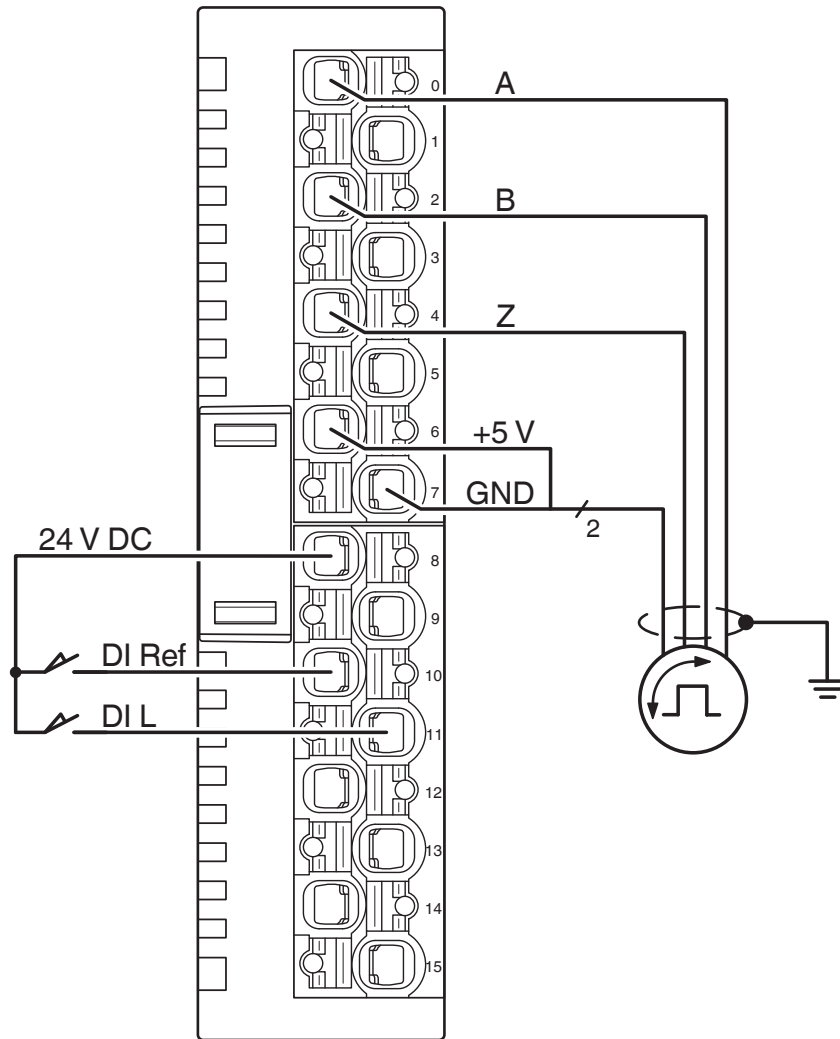
Dimensions

AXL SE INC1 ASYM - Function module

1182185

<https://www.phoenixcontact.com/us/products/1182185>

Connection diagram



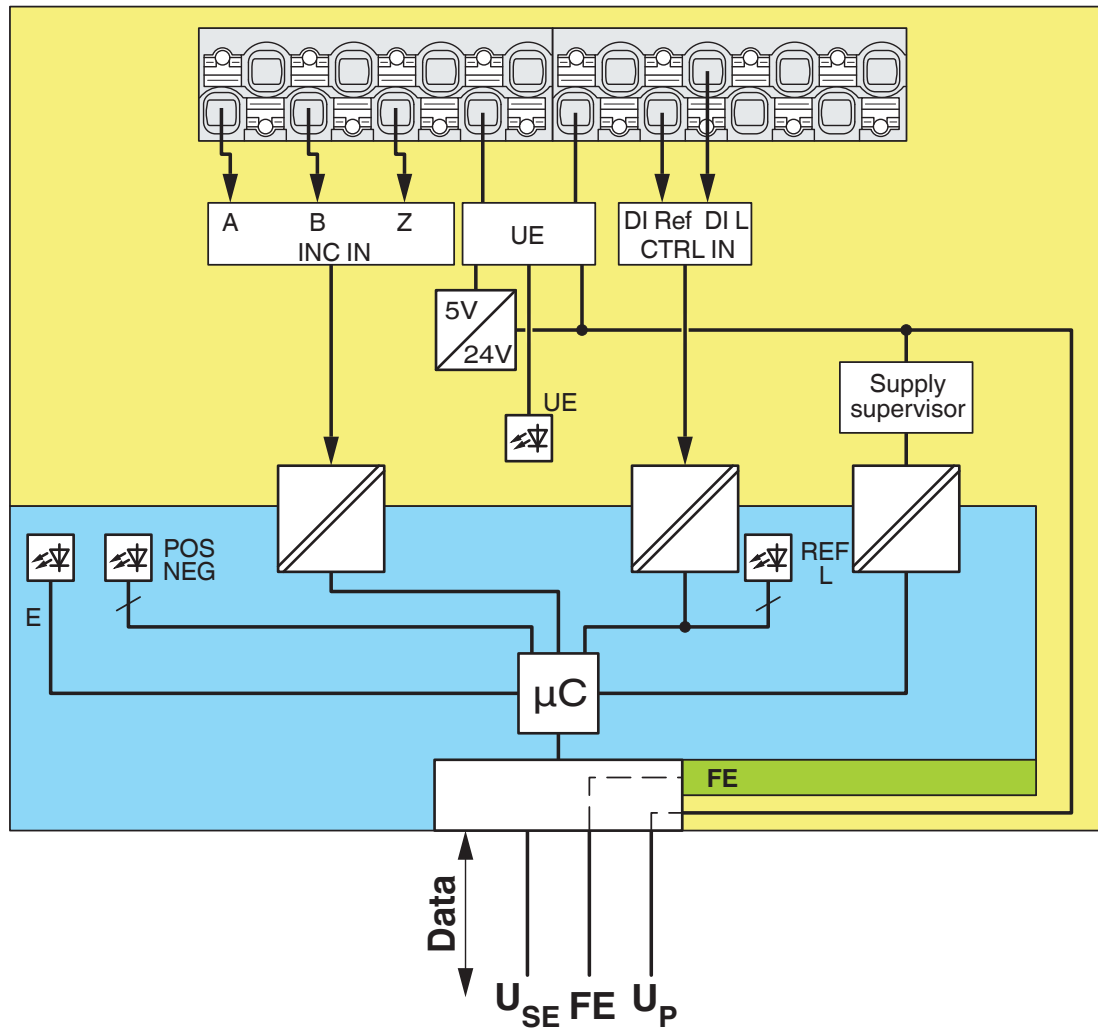
Connection example

AXL SE INC1 ASYM - Function module

1182185

<https://www.phoenixcontact.com/us/products/1182185>

Block diagram



Internal wiring of the terminal points

AXL SE INC1 ASYM - Function module



1182185

<https://www.phoenixcontact.com/us/products/1182185>

Approvals

To download certificates, visit the product detail page: <https://www.phoenixcontact.com/us/products/1182185>



cULus Listed

Approval ID: E238705

AXL SE INC1 ASYM - Function module



1182185

<https://www.phoenixcontact.com/us/products/1182185>

Classifications

ECLASS

ECLASS-13.0	27242604
ECLASS-15.0	27242604

ETIM

ETIM 9.0	EC001599
----------	----------

UNSPSC

UNSPSC 21.0	32151600
-------------	----------

1182185

<https://www.phoenixcontact.com/us/products/1182185>

Environmental product compliance

EU RoHS

Fulfills EU RoHS substance requirements	Yes
Exemption	7(a), 7(c)-I

China RoHS

Environment friendly use period (EFUP)	EFUP-50
	An article-related China RoHS declaration table can be found in the download area for the respective article under "Manufacturer declaration". For all articles with EFUP-E, no China RoHS declaration table issued and required.

EU REACH SVHC

REACH candidate substance (CAS No.)	Lead(CAS: 7439-92-1)
SCIP	8bd6d594-7c01-49fe-96c0-6dcfe1196d83

Phoenix Contact 2025 © - all rights reserved

<https://www.phoenixcontact.com>

Phoenix Contact USA
586 Fulling Mill Road
Middletown, PA 17057, United States
(+717) 944-1300
info@phoenixcon.com