

# SACC-V-3CON-PG9/BI-1L-S - Valve connector



1671140

<https://www.phoenixcontact.com/us/products/1671140>

Please be informed that the data shown in this PDF document is generated from our online catalog. Please find the complete data in the user documentation. Our general terms of use for downloads are valid.



Valve connector, Universal, 3-position, Valve connector BI (11 mm), Screw connection, cable gland Pg9, external cable diameter 6 mm ... 8 mm

## Commercial data

Item number	1671140
Packing unit	1 pc
Minimum order quantity	1 pc
Sales key	BF36
Product key	AF2DCA
GTIN	4017918134990
Weight per piece (including packing)	31.7 g
Weight per piece (excluding packing)	31.41 g
Customs tariff number	85366990
Country of origin	CN

# SACC-V-3CON-PG9/BI-1L-S - Valve connector



1671140

<https://www.phoenixcontact.com/us/products/1671140>

## Technical data

### Notes

Assembly note	<b>NOTE:</b> Observe the permissible bending radii when routing cables, since the degree of protection may be at risk if the bending forces are too high. Reduce mechanical loads upstream of the connector, e.g., by using cable ties.
---------------	---

### Product properties

Product type	Valve connectors
Sensor type	Universal
Number of positions	3
No. of cable outlets	1
Shielded	no
Pg screw connection	Pg9

### Insulation characteristics

Overvoltage category	II
Degree of pollution	3

### Material specifications

Flammability rating according to UL 94	HB
Material housing valve plug	PA
Contact material	CuSn
Valve plug contact insert material	PBT
Contact surface material	Ag

### Dimensions

#### External dimensions

Outside diameter	6 mm ... 8 mm
------------------	---------------

### Electrical properties

Contact resistance	≤ 4 mΩ
Insulation resistance	> 2 GΩ
Nominal voltage $U_N$	24 V AC
	24 V DC
Nominal current $I_N$	4 A
Protective circuit	Surge protection; Z diode

### Mechanical properties

#### Mechanical data

Insertion/withdrawal cycles	50 (Valve connector)
-----------------------------	----------------------

### Signaling

# SACC-V-3CON-PG9/BI-1L-S - Valve connector



1671140

<https://www.phoenixcontact.com/us/products/1671140>

Status display	LED (yellow)
Status display present	yes

## Connection data

Connection method	Screw connection
Conductor cross section	0.34 mm <sup>2</sup> ... 2.5 mm <sup>2</sup>
Connection cross section AWG	22 ... 13

## Connector

### Connection 1

Head design	Valve connector
Head thread type	BI (11 mm)

## Environmental and real-life conditions

### Ambient conditions

Degree of protection	IP65
Ambient temperature (operation) (Valve connector)	-25 °C ... 60 °C (Valve connector)

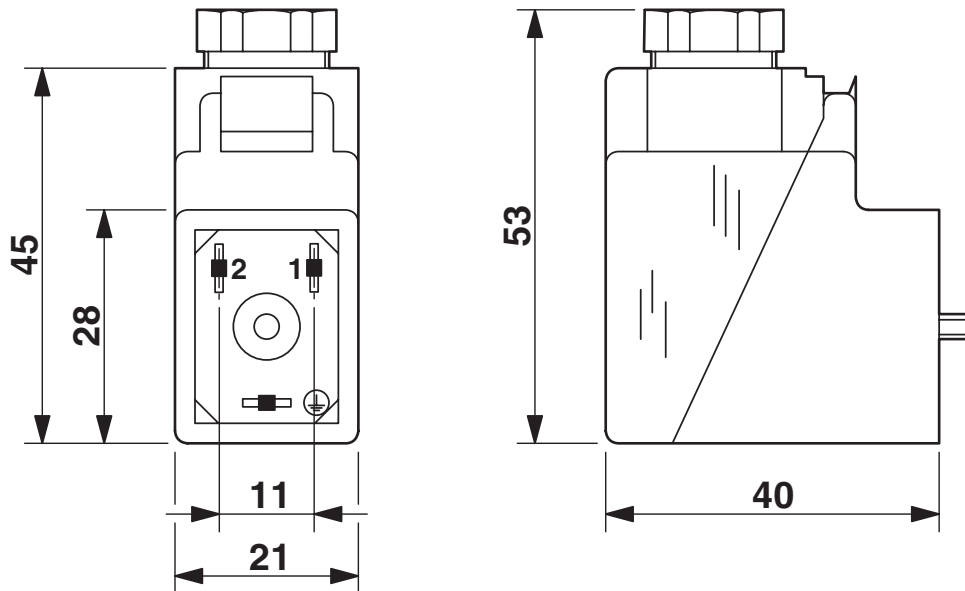
# SACC-V-3CON-PG9/BI-1L-S - Valve connector

1671140

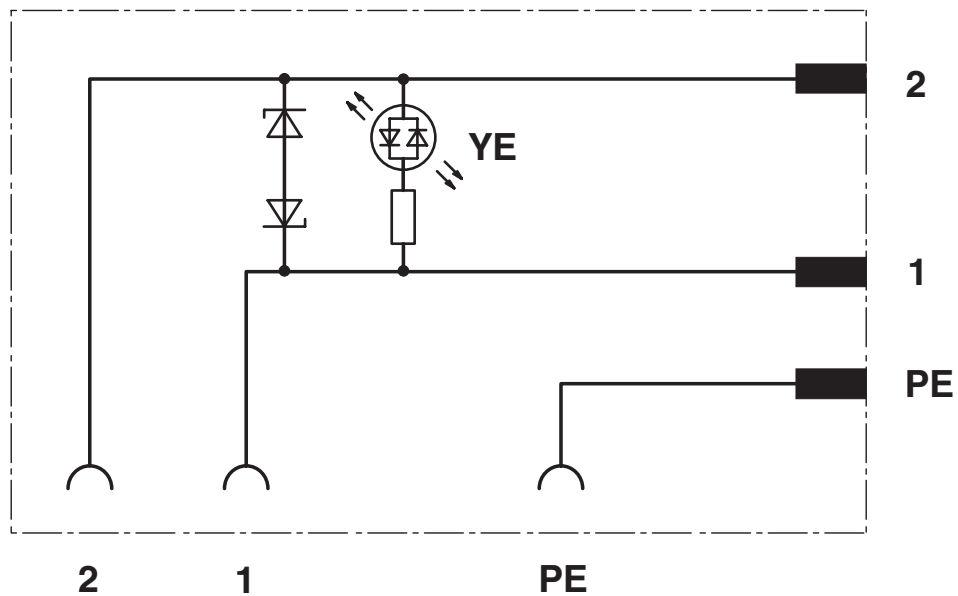
<https://www.phoenixcontact.com/us/products/1671140>

## Drawings

Dimensional drawing



Circuit diagram



# SACC-V-3CON-PG9/BI-1L-S - Valve connector



1671140

<https://www.phoenixcontact.com/us/products/1671140>

## Classifications

### ECLASS

ECLASS-13.0	27440105
ECLASS-15.0	27440105

### ETIM

ETIM 9.0	EC003623
----------	----------

### UNSPSC

UNSPSC 21.0	31251500
-------------	----------

1671140

<https://www.phoenixcontact.com/us/products/1671140>

## Environmental product compliance

### EU RoHS

Fulfills EU RoHS substance requirements	Yes
Exemption	6(c), 7(c)-I

### China RoHS

Environment friendly use period (EFUP)	EFUP-25
	An article-related China RoHS declaration table can be found in the download area for the respective article under "Manufacturer declaration". For all articles with EFUP-E, no China RoHS declaration table issued and required.

### EU REACH SVHC

REACH candidate substance (CAS No.)	Lead(CAS: n/a)
SCIP	468cea43-bc30-4adf-b542-fdc5ee5e190a

Phoenix Contact 2025 © - all rights reserved

<https://www.phoenixcontact.com>

Phoenix Contact USA  
586 Fulling Mill Road  
Middletown, PA 17057, United States  
(+717) 944-1300  
[info@phoenixcon.com](mailto:info@phoenixcon.com)