

UM 45-PROFIL 235CM - Profile

2735441

<https://www.phoenixcontact.com/us/products/2735441>

Please be informed that the data shown in this PDF document is generated from our online catalog. Please find the complete data in the user documentation. Our general terms of use for downloads are valid.

Press-drawn section housings, Basic profile, open, profile width (internal): 41.85 mm, profile width (external): 44.8 mm, length: 2350 mm, height: 44.8 mm, depth: 18.95 mm



Your advantages

- Easy installation
- Flexible size and shape
- Inexpensive as a result of reducing the number of separate housing parts

Commercial data

Item number	2735441
Packing unit	1 pc
Minimum order quantity	1 pc
Sales key	AC13
Product key	ACHDBA
GTIN	4017918589554
Weight per piece (including packing)	485.71 g
Weight per piece (excluding packing)	485.71 g
Customs tariff number	39162000
Country of origin	DE

UM 45-PROFIL 235CM - Profile

2735441

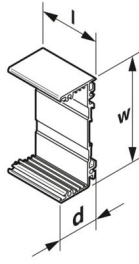
<https://www.phoenixcontact.com/us/products/2735441>

Technical data

Product properties

Product type	Component housing lower part
Housing type	Press-drawn section housings
Housing series	UM
Product family	UM45
Ventilation openings present	no

Dimensions

Dimensional drawing	
Height	44.8 mm
Depth	18.95 mm
Length	235 cm

External dimensions

Profile width (external)	44.8 mm
--------------------------	---------

Internal dimensions

Profile width (internal)	41.85 mm
--------------------------	----------

Material specifications

Material Housing	PVC
------------------	-----

Environmental and real-life conditions

Ambient conditions

Ambient temperature (operation)	-15 °C ... 50 °C
---------------------------------	------------------

PCB data

Number of PCB holders	2
-----------------------	---

UM 45-PROFIL 235CM - Profile

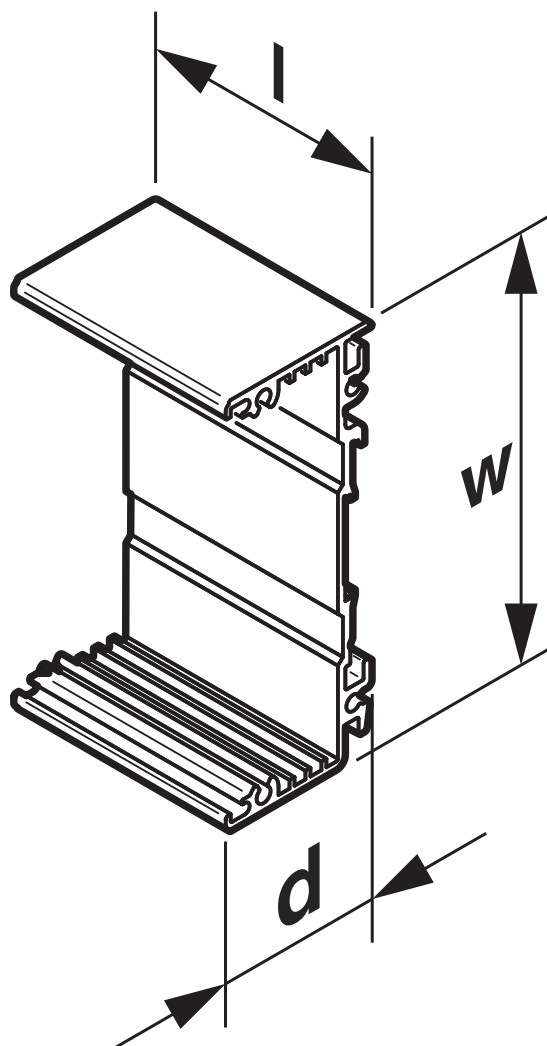
2735441

<https://www.phoenixcontact.com/us/products/2735441>



Drawings

Dimensional drawing



UM 45-PROFIL 235CM - Profile



2735441

<https://www.phoenixcontact.com/us/products/2735441>

Classifications

ECLASS

ECLASS-13.0	27190601
ECLASS-15.0	27190601

ETIM

ETIM 9.0	EC002779
----------	----------

UNSPSC

UNSPSC 21.0	31261500
-------------	----------

UM 45-PROFIL 235CM - Profile



2735441

<https://www.phoenixcontact.com/us/products/2735441>

Environmental product compliance

EU RoHS

Fulfills EU RoHS substance requirements	Yes, No exemptions
---	--------------------

China RoHS

Environment friendly use period (EFUP)	EFUP-E
	No hazardous substances above the limits

EU REACH SVHC

REACH candidate substance (CAS No.)	No substance above 0.1 wt%
-------------------------------------	----------------------------

Phoenix Contact 2025 © - all rights reserved
<https://www.phoenixcontact.com>

Phoenix Contact USA
586 Fulling Mill Road
Middletown, PA 17057, United States
(+717) 944-1300
info@phoenixcon.com