

Series 77 Straight Shrink Boot Heat Shrink Molded Part

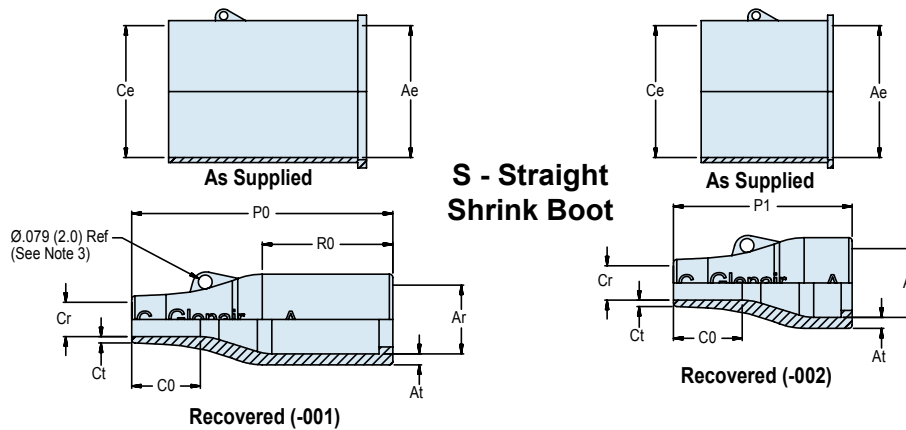
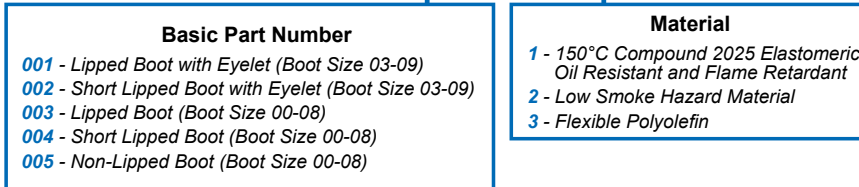
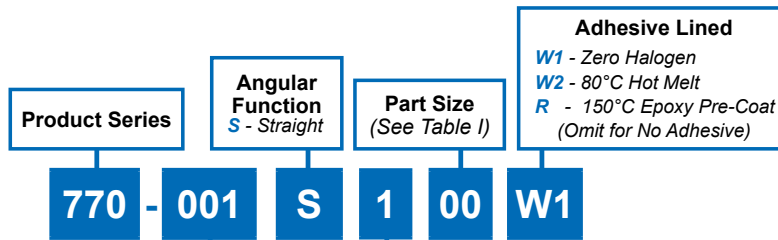


TABLE I: STRAIGHT BOOT DIMENSIONS, BOOT AND SHELL SIZE

| Boot Size | Shell Size | Ae Dia Min | Ce Dia Min | Ar Dia Max | at ±30% | Cr Dia Max | ct ±20% | C0 Ref | P0 ±10% | P1 ±10% | R0 Ref |
|-----------|------------|--------------|--------------|--------------|------------|-------------|------------|--------------|---------------|---------------|--------------|
| 00 | 5 | .354 (9.0) | .354 (9.0) | .217 (5.5) | .039 (1.0) | .079 (2.0) | .028 (0.7) | .295 (7.5) | .984 (25.0) | N/A | .551 (14.0) |
| 01 | 5, 6 | .472 (12.0) | .472 (12.0) | .276 (7.0) | .043 (1.1) | .118 (3.0) | .028 (0.7) | .295 (7.5) | .984 (25.0) | N/A | .551 (14.0) |
| 02 | 6, 7 | .669 (17.0) | .669 (17.0) | .276 (7.0) | .051 (1.3) | .138 (3.5) | .028 (0.7) | .395 (10.0) | 1.181 (30.0) | N/A | .728 (18.5) |
| 03 | 8, 10 | .945 (24.0) | .945 (24.0) | .413 (10.5) | .063 (1.6) | .197 (5.5) | .035 (0.9) | .395 (10.0) | 1.496 (38.0) | 1.024 (26.0) | .748 (19.0) |
| 04 | 11-16 | 1.181 (30.0) | 1.181 (30.0) | .551 (14.0) | .071 (1.8) | .236 (6.0) | .039 (1.0) | .630 (16.0) | 2.165 (55.0) | 1.693 (43.0) | 1.181 (30.0) |
| 05 | 16-17 | 1.260 (32.0) | 1.260 (32.0) | .709 (18.0) | .071 (1.8) | .276 (7.0) | .047 (1.2) | .748 (19.0) | 2.638 (67.0) | 1.850 (47.0) | 1.299 (33.0) |
| 06 | 17-21 | 1.417 (36.0) | 1.417 (36.0) | .886 (22.0) | .079 (2.0) | .335 (8.5) | .047 (1.2) | .787 (20.0) | 3.150 (80.0) | 2.362 (60.0) | 1.575 (40.0) |
| 07 | 21-23 | 1.693 (43.0) | 1.693 (43.0) | 1.102 (28.0) | .087 (2.2) | .394 (10.0) | .051 (1.3) | 1.142 (29.0) | 3.898 (99.0) | 3.150 (80.0) | 2.165 (55.0) |
| 08 | 25 | 2.362 (60.0) | 2.362 (60.0) | 1.378 (35.0) | .130 (3.3) | .591 (15.0) | .063 (1.6) | 1.575 (40.0) | 5.118 (130.0) | 4.331 (110.0) | 1.969 (50.0) |

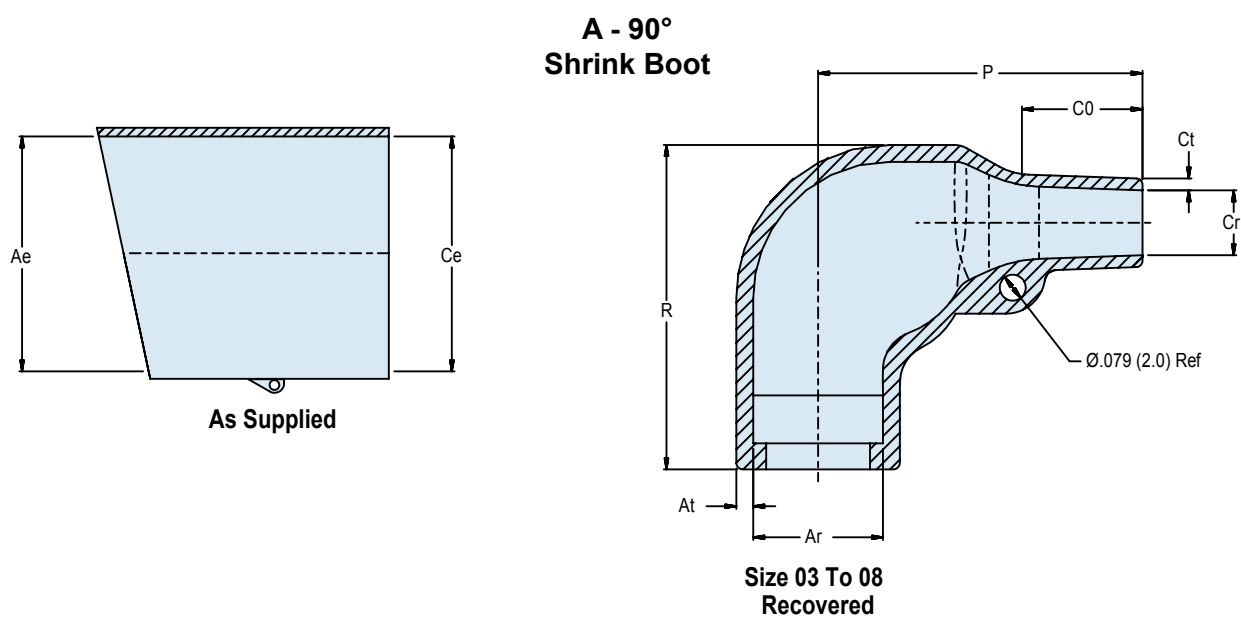
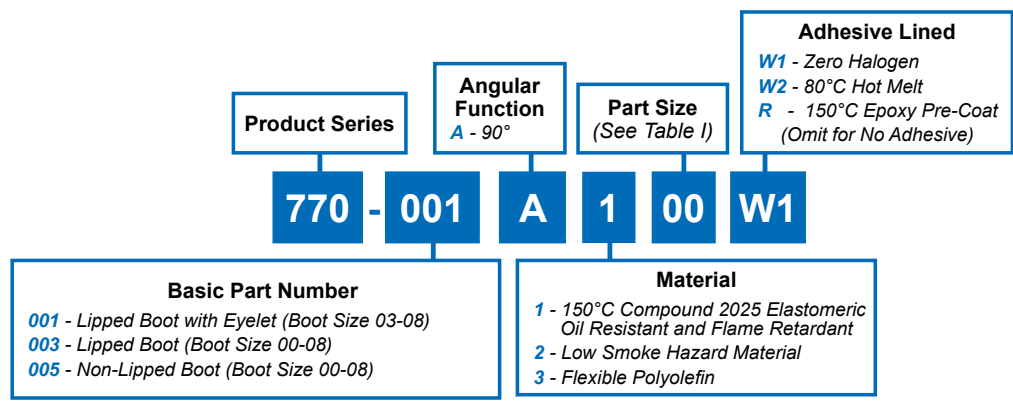
APPLICATION NOTES

1. Material: Fluid resistant elastomer - Glenair Material Type 1.
2. When the minimum number of conductors are used, wire bundle/cable may require build-up to B² max.
3. Sizes 00 to 02 do not contain eyelet.





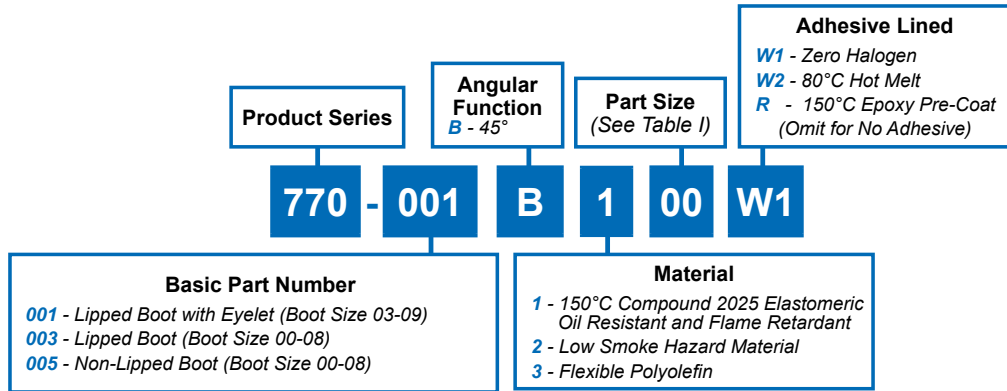
Series 77 90° Shrink Boot Heat Shrink Molded Part



| TABLE I: 90° BOOT DIMENSIONS, BOOT AND SHELL SIZE | | | | | | | | | | |
|---|------------|--------------|--------------|--------------|------------|-------------|------------|--------------|--------------|--------------|
| Boot Size | Shell Size | Ae Dia Min | Ce Dia Min | Ar Dia Max | at ±30% | Cr Dia Max | ct ±20% | C0 Ref | P ±20% | R Ref |
| 03 | 9 | .945 (24.0) | .945 (24.0) | .394 (10.0) | .063 (1.6) | .197 (5.0) | .035 (0.9) | .394 (10.0) | .984 (25.0) | .984 (25.0) |
| 04 | 11-15 | 1.181 (30.0) | 1.181 (30.0) | .532 (13.5) | .071 (1.8) | .217 (5.5) | .039 (1.0) | .472 (12.0) | 1.260 (32.0) | 1.063 (27.0) |
| 05 | 13-17 | 1.260 (32.0) | 1.260 (32.0) | .709 (18.0) | .071 (1.8) | .276 (7.0) | .047 (1.2) | .591 (15.0) | 1.535 (39.0) | 1.260 (32.0) |
| 06 | 17-21 | 1.417 (36.0) | 1.417 (36.0) | .886 (22.0) | .079 (2.0) | .335 (8.5) | .047 (1.2) | .630 (16.0) | 1.929 (49.0) | 1.496 (38.0) |
| 07 | 21-23 | 1.693 (43.0) | 1.693 (43.0) | 1.102 (28.0) | .087 (2.2) | .394 (10.0) | .059 (1.5) | .709 (18.0) | 2.165 (55.0) | 1.850 (47.0) |
| 08 | 23-25 | 2.165 (55.0) | 2.165 (55.0) | 1.378 (35.0) | .130 (3.3) | .591 (15.0) | .079 (2.0) | 1.260 (32.0) | 3.150 (80.0) | 2.165 (55.0) |



Series 77
45° Shrink Boot
Heat Shrink Molded Part



B - 45°
Shrink Boot

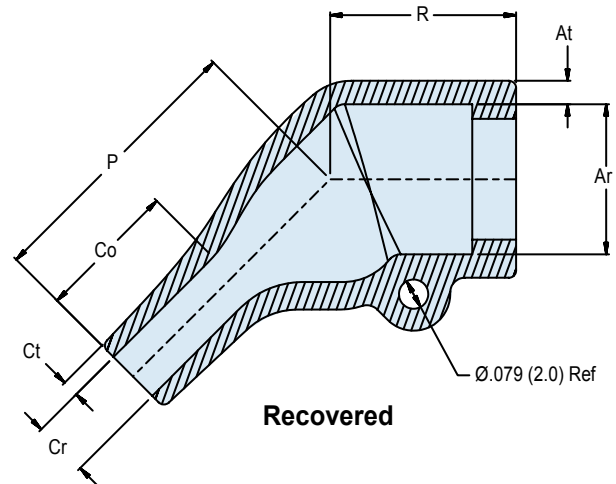
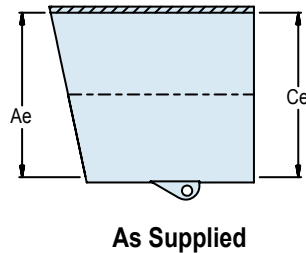
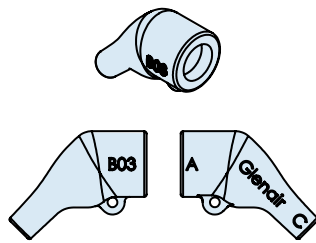


TABLE I: 45° BOOT DIMENSIONS, BOOT AND SHELL SIZE

| Boot Size | Shell Size | Ae Dia Min | Ce Dia Min | Ar Dia Max | at ±30% | Cr Dia Max | ct ±20% | C0 Ref | P ±10% | R Ref |
|-----------|------------|--------------|--------------|--------------|------------|-------------|------------|-------------|--------------|--------------|
| 03 | 9 | .945 (24.0) | .945 (24.0) | .413 (10.50) | .063 (1.6) | .157 (4.0) | .035 (0.9) | .315 (8.0) | .748 (195.0) | .500 (12.7) |
| 04 | 11-15 | 1.181 (30.0) | 1.181 (30.0) | .551 (14.0) | .071 (1.8) | .236 (6.0) | .039 (1.0) | .354 (9.0) | 1.180 (30.0) | .748 (19.0) |
| 05 | 13-17 | 1.260 (32.0) | 1.260 (32.0) | .709 (18.0) | .079 (2.0) | .276 (7.0) | .071 (1.8) | .591 (15.0) | 1.378 (35.0) | .984 (25.0) |
| 06 | 17-21 | 1.417 (36.0) | 1.417 (36.0) | .886 (22.0) | .079 (2.0) | .335 (8.5) | .071 (1.8) | .709 (18.0) | 1.575 (40.0) | 1.260 (32.0) |
| 07 | 21-23 | 1.693 (43.0) | 1.693 (43.0) | 1.102 (28.0) | .087 (2.2) | .394 (10.0) | .079 (2.0) | .709 (18.0) | 1.772 (45.0) | 1.496 (38.0) |