

# SERIES 80 MIGHTY MOUSE CONNECTORS Accessories, Backshells, and Tools



## Series 800,801, 803, 804, and 805 EMI Backshell with Rotatable Coupling Nut

380MS137



380-137 backshells feature rotatable coupling nut for improved cable routing management. Straight, 45°, and 90° degree entry. EMI ring for easy termination of cable shield and 360° EMI protection while saddle clamps remove strain and stress from contact wire termination.

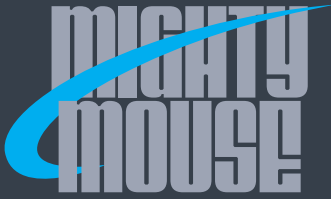
How To Order	
Sample Part Number	380MS137 M 07 04 -6 N
Series	380MS137 = Straight Entry, 380MB137 = 45° Entry 380MA137 = 90° Entry
Shell Material and Finish	UCR = Aluminum / Zinc Cobalt with Black ZNU = Aluminum / Zinc Nickel with Black over Electroless Nickel M = Aluminum / Electroless Nickel NF = Aluminum / Cad. Olive Drab ZN = Aluminum / Zinc-Nickel with Olive Drab Chromate MT = Aluminum / Nickel-PTFE Z1 = Stainless Steel / Passivated
Size Code (See Table I)	05, 06, 11, 07, 08, 09, 10, 12, 13, 14, 16, 17
Cable Entry Code (See Table II)	01, 02, 03, 04, 05, 06, 07, 08, 09, 10, 11, 12, 13
Length (See Table I)	Minimum length is .63 (16.00) See dimensions table for standard length. Applies to Symbol S (straight) only
Clamp Style	Omit = Clamp with Saddle Bars N = Compression Nut, Low Profile

### NOTES

1. Minimum length is .63 Inches. Applies to straight entry only.
2. Use shrink sleeve or bushing to build cable to dia. shown under saddle bars.
3. Consult factory for sizes out of range. If min/max entry is exceeded, dimensions C, D, E, and F will not apply. 'S' min/max sizes are specified for minimum length.
4. Materials
  - Adapter, Clamp, Nut, and Saddles: Aluminum Alloy 6061-T6 or 300 Series Stainless Steel
  - Hardware: 300 Series Stainless Steel

Table I: Size Code									
Size Code	Shell Size Ref 800/801 803/804	805	A Thread Class -2B	B Max	Standard Length	Min Entry A/B (see note 5)	Max Entry A/B	Min Entry S	Max Entry S
05	5	N/A	1/4-32 UNEF	0.470 (11.94)	0.75 (19.05)	01	05	01	05
06	6	N/A	5/16-32 UNEF	0.530 (13.46)	0.75 (19.05)	01	06	01	08
11	N/A	8	3/8-32 UNEF	0.570 (14.48)	0.75 (19.05)	01	06	01	08
07	7	9	7/16-28 UNEF	0.637 (16.18)	0.75 (19.05)	01	08	01	09
08	8	10	1/2-28 UNEF	0.700 (17.78)	0.75 (19.05)	03	10	02	10
09	9	11	9/16-24 UNEF	0.758 (19.25)	0.75 (19.05)	03	10	03	11
10	10	12	5/8-24 UNEF	0.819 (20.80)	0.75 (19.05)	03	13	03	12
12	11/12/13	13	11/16-24 UNEF	0.896 (22.76)	0.88 (22.35)	04	13	04	12
13	N/A	15	3/4-20 UNEF	0.930 (23.62)	0.88 (22.35)	04	13	05	13
14	14/15/16/17	18/19	15/16-20 UNEF	1.137 (28.88)	1.00 (25.40)	06	13	05	13
16	19	21	11/16-18 UNEF	1.230 (31.24)	1.00 (25.40)	08	13	06	13
17	21	23	13/16-18 UNEF	1.387 (35.23)	1.13 (28.70)	08	13	07	13

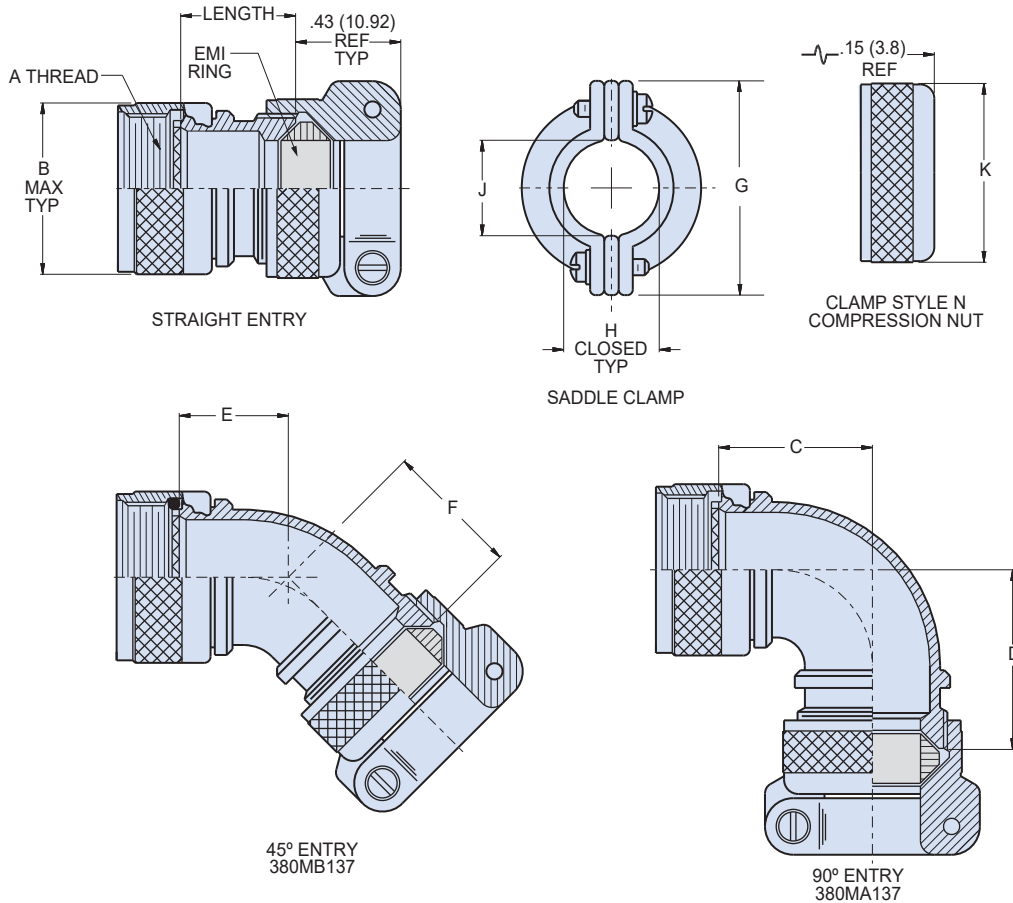
ACCESSORIES, BACKSHELLS, AND TOOLS



# SERIES 80 MIGHTY MOUSE CONNECTORS Accessories, Backshells, and Tools



## Series 800 EMI Backshell with Rotatable Coupling Nut; Straight, 45° and 90°



ACCESSORIES, BACKSHELLS, AND TOOLS

**Table II: Dimensions**

Cable Entry Code	C Max.	D Max.	E Max.	F Max.	G Dim	H ± .030 Closed (see note 2)	J ±.030	K Dia
01	.724 (18.39)	.702 (17.83)	.603 (15.32)	.581 (14.76)	.496 (12.60)	.11 (2.79)	.119 (3.02)	.398 (10.11)
02	.724 (18.39)	.702 (17.83)	.603 (15.32)	.581 (14.76)	.582 (14.78)	.17 (4.32)	.182 (4.62)	.460 (11.68)
03	.724 (18.39)	.702 (17.83)	.603 (15.32)	.581 (14.76)	.656 (16.66)	.23 (5.84)	.244 (6.20)	.523 (13.28)
04	.786 (19.96)	.764 (19.41)	.629 (15.98)	.607 (15.42)	.726 (18.44)	.30 (7.62)	.307 (7.80)	.585 (14.86)
05	.786 (19.96)	.764 (19.41)	.629 (15.98)	.607 (15.42)	.885 (22.48)	.36 (9.14)	.369 (9.37)	.647 (16.43)
06	.848 (21.54)	.826 (20.98)	.655 (16.64)	.633 (16.08)	.952 (24.18)	.42 (10.67)	.432 (10.97)	.710 (18.03)
07	.848 (21.54)	.826 (20.98)	.655 (16.64)	.633 (16.08)	1.018 (25.86)	.48 (12.19)	.494 (12.55)	.773 (19.63)
08	.911 (23.14)	.889 (22.58)	.707 (17.96)	.685 (17.40)	1.084 (27.53)	.55 (13.97)	.557 (14.15)	.835 (21.21)
09	.911 (23.14)	.889 (22.58)	.707 (17.96)	.685 (17.40)	1.148 (29.16)	.61 (15.49)	.619 (15.72)	.897 (22.78)
10	.973 (24.71)	.951 (24.16)	.733 (18.62)	.711 (18.06)	1.211 (30.76)	.67 (17.02)	.682 (17.32)	.959 (24.36)
11	.973 (24.71)	.951 (24.16)	.733 (18.62)	.711 (18.06)	1.273 (32.33)	.73 (18.54)	.744 (18.90)	1.021 (25.93)
12	1.036 (26.31)	1.014 (25.76)	.785 (19.94)	.763 (19.38)	1.400 (35.56)	.86 (21.84)	.869 (22.07)	1.083 (27.51)
13	1.098 (27.89)	1.076 (27.33)	.811 (20.60)	.789 (20.04)	1.539 (39.09)	.99 (25.15)	1.010 (25.65)	1.145 (29.08)