

SMT Switch, 4.2x3.2 mm



See below:

Approvals and Compliances

Description

- Design 4.2x3.2 mm SMT mounting tactile

Unique Selling Proposition

- Microminiature size 4.2x3.2 mm
- Low profile 2.5mm height
- High number of cycles
- Reliable tactile feedback

Weblinks

[pdf data sheet](#), [html datasheet](#), [General Product Information](#), [CAD-Drawings](#), [Product News](#), [Detailed request for product](#)

Technical Data

Electrical Data

Switching Voltage	1 VDC - 12 VDC
Switching current	10 µA- 50 mA
Lifetime	100'000 actuations
Contact Resistance	max. 100 mΩ (initial) max. 500 mΩ after lifetime
Duration of Bounce	≤ 5 ms

Mechanical Data

Actuating Force	180 ± 50 gf 250 ± 50 gf 400 ± 100 gf
Actuating Travel	0.2 ± 0.1 mm
End Stop Strength	30 N / 60 s

Climatical Data

Operating Temperature	-40 °C - 90 °C
Storage Temperature	-40 °C - 90 °C
IP-Protection	IP40

Soldering Data

Soldering Methods	Reflow
-------------------	--------

Material

Terminals	Ag-plated Phosphor Bronze
Contact	Ag-plated Stainless Steel
Cover	Stainless Steel
Socket	LCP UL 94V-0
Actuator	LCP UL 94V-0




Approvals and Compliances

Detailed information on product approvals, code requirements, usage instructions and detailed test conditions can be looked up in [Details about Approvals](#)

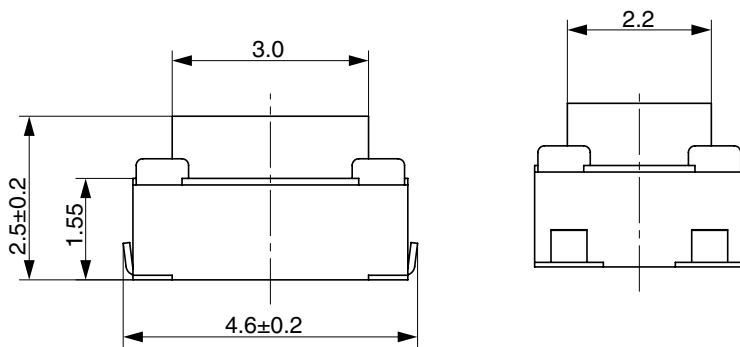
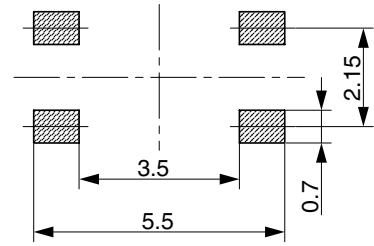
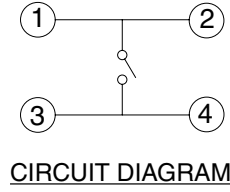
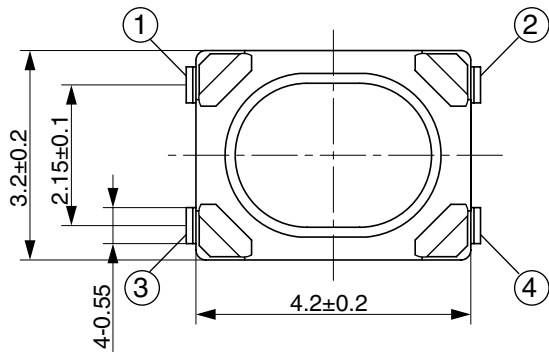
SCHURTER products are designed for use in industrial environments. They have approvals from independent testing bodies according to national and international standards. Products with specific characteristics and requirements such as required in the automotive sector according to IATF 16949, medical technology according to ISO 13485 or in the aerospace industry can be offered exclusively with customer-specific, individual agreements by SCHURTER.

Compliances

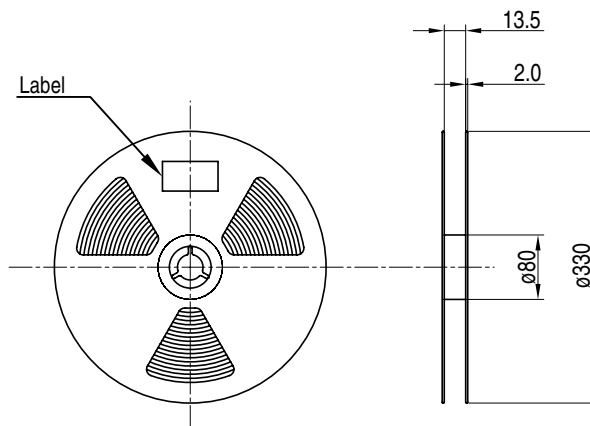
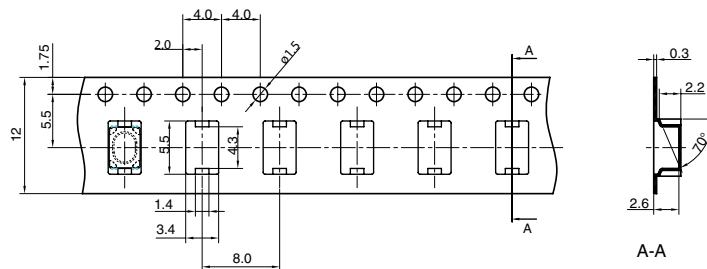
The product complies with following Guide Lines

Identification	Details	Initiator	Description
	RoHS	SCHURTER AG	Directive RoHS 2011/65/EU, Amendment (EU) 2015/863
	China RoHS	SCHURTER AG	The law SJ / T 11363-2006 (China RoHS) has been in force since 1 March 2007. It is similar to the EU directive RoHS.
	REACH	SCHURTER AG	On 1 June 2007, Regulation (EC) No 1907/2006 on the Registration, Evaluation, Authorization and Restriction of Chemicals 1 (abbreviated as "REACH") entered into force.

Dimension [mm]

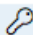
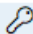
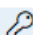
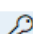
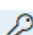
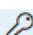
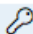


Tape & Reel dimension



Order number key

T	C	S	4	3	-	H65	-	A	-	S	-	5	-	M	-	C
1						2		3		4		5		6		7

Type							1
TCS43	=					TCS43	
Switch height							2
2.5 mm	=					H65	
Contact configuration							3
SPST	=					A	
Soldering type							4
SMD	=					S	
Terminal type							5
J-Type	=					5	
Actuation force							6
180 gf	=					M	
250 gf	=					K	
400 gf	=					G	
Packing							7
Tape & Reel	=					C	

Variants

Type	Height	Terminal	Actuating Force (gf)	Weight [g]	Config. Code	Order Number
TCS43	2.50 mm	J-Type	180	0.039	TCS43-H65-A-S-5-M-C	3-161-117
TCS43	2.50 mm	J-Type	250	0.039	TCS43-H65-A-S-5-K-C	3-161-118
TCS43	2.50 mm	J-Type	400	0.042	TCS43-H65-A-S-5-G-C	3-161-119

Availability for all products can be searched real-time: <https://www.schurter.com/en/info-center/support-tools/stock-check-distributors>

Packaging unit 3000 pcs. (Tape & Reel)