

Electro-mechanical direct current switch



**EDC 1**  
Micro switch for MSM II actuator

**EDC 2**  
Micro switch stand alone

See below:  
[Approvals and Compliances](#)

**Description**

- Rated currents to 10 A at 48 VDC
- 2 designs with attachment points for different applications and additional actuator MSM II
- Equipped with quick connect terminals to permit fast connection

**Unique Selling Proposition**

- No arcing due to electronic circuit
- Extremely long lifespan

**Characteristics**

- Smallest design

**References**

Optional: The switch is also avail. in the MSM II MO version, e.g. part no. 3-153-881, type: MSMII-22-MONO10A-A1-0A0-A-RIRGB024A0-S0NCB-S0NCNF-0000-C

**Weblinks**

[pdf data sheet](#), [html datasheet](#), [General Product Information](#), [CAD-Drawings](#), [Product News](#), [Detailed request for product](#)

**Technical Data**

Electrical Data	
Supply Voltage	5 VDC - 48 VDC
Mechanical Data	
Actuating Force	3.0 N
Actuating Travel	1.0 mm
Lifetime	1 million actuations

Climatical Data	
Operating Temperature	-40 to 85 °C
Storage Temperature	-40 to 85 °C
Protection Class	IP40
Material	

**Approvals and Compliances**

Detailed information on product approvals, code requirements, usage instructions and detailed test conditions can be looked up in [Details about Approvals](#)

SCHURTER products are designed for use in industrial environments. They have approvals from independent testing bodies according to national and international standards. Products with specific characteristics and requirements such as required in the automotive sector according to IATF 16949, medical technology according to ISO 13485 or in the aerospace industry can be offered exclusively with customer-specific, individual agreements by SCHURTER.

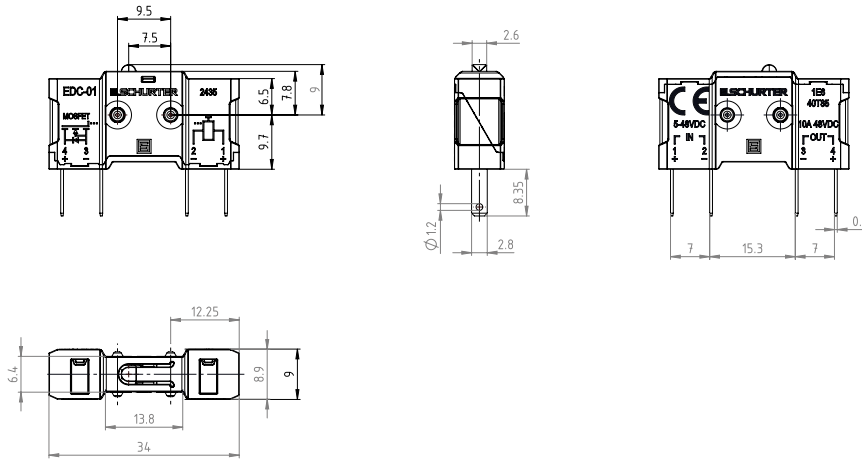
**Compliances**

The product complies with following Guide Lines

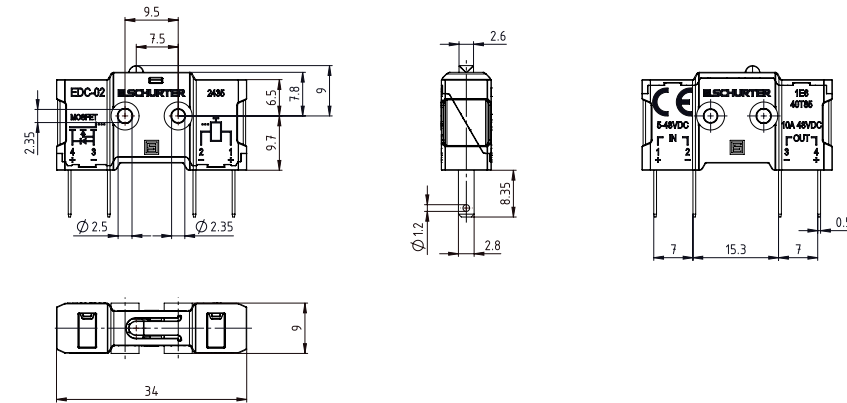
Identification	Details	Initiator	Description
	<a href="#">CE declaration of conformity</a>	SCHURTER AG	The CE marking declares that the product complies with the applicable requirements laid down in the harmonisation of Community legislation on its affixing in accordance with EU Regulation 765/2008.
	<a href="#">UKCA declaration of conformity</a>	SCHURTER AG	The UKCA marking declares that the product complies with the applicable requirements laid down in the British Amendment of Regulation (EC) 765/2008.
	RoHS	SCHURTER AG	Directive RoHS 2011/65/EU, Amendment (EU) 2015/863
	REACH	SCHURTER AG	On 1 June 2007, Regulation (EC) No 1907/2006 on the Registration, Evaluation, Authorization and Restriction of Chemicals 1 (abbreviated as "REACH") entered into force.

Dimension [mm]

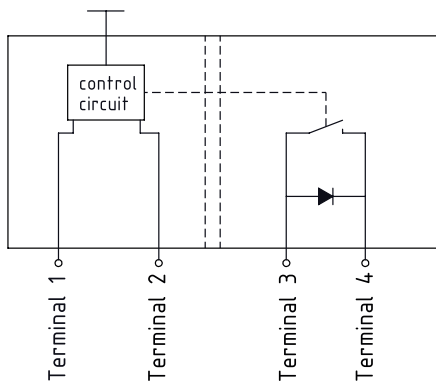
EDC 1



EDC 2



Diagrams



Connection assignment

Terminal-number	Description
1	Supply Voltage + (5 VDC... 48 VDC)
2	Supply Voltage - (GND)
3	DC - Switch (-)
4	DC - Switch (+)

**Variants**

Designation	Rated current	Illumination	Switching Voltage	Config. Code	Order Number
EDC-01	10A	-	-	EDC-01-MON00-10A048A-A-P4WT-A00	3-153-892
EDC-02	10A	-	-	EDC-02-MON00-10A048A-A-P4WT-A00	3-153-876

Availability for all products can be searched real-time: <https://www.schurter.com/en/info-center/support-tools/stock-check-distributors>

---

**Packaging unit**                      10 pcs.                      In box or packed in air cushion bags

---