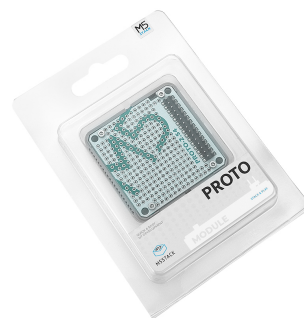
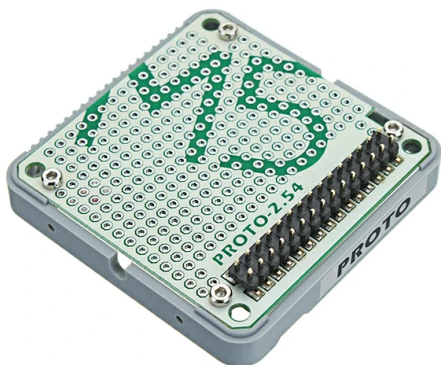


# Module Proto

SKU:M001



## Description

**Module Proto** is a versatile board module in the M5Stack stackable module series. This module is a pure general-purpose universal board, allowing you complete freedom to build circuits according to your needs and interact with the top-layer M5Core via M5-Bus.

## Features

- Hole size: 0.039" 1mm (CNC drilled)
- Spacing: 2.54 mm
- Number of board holes: 260

## Includes

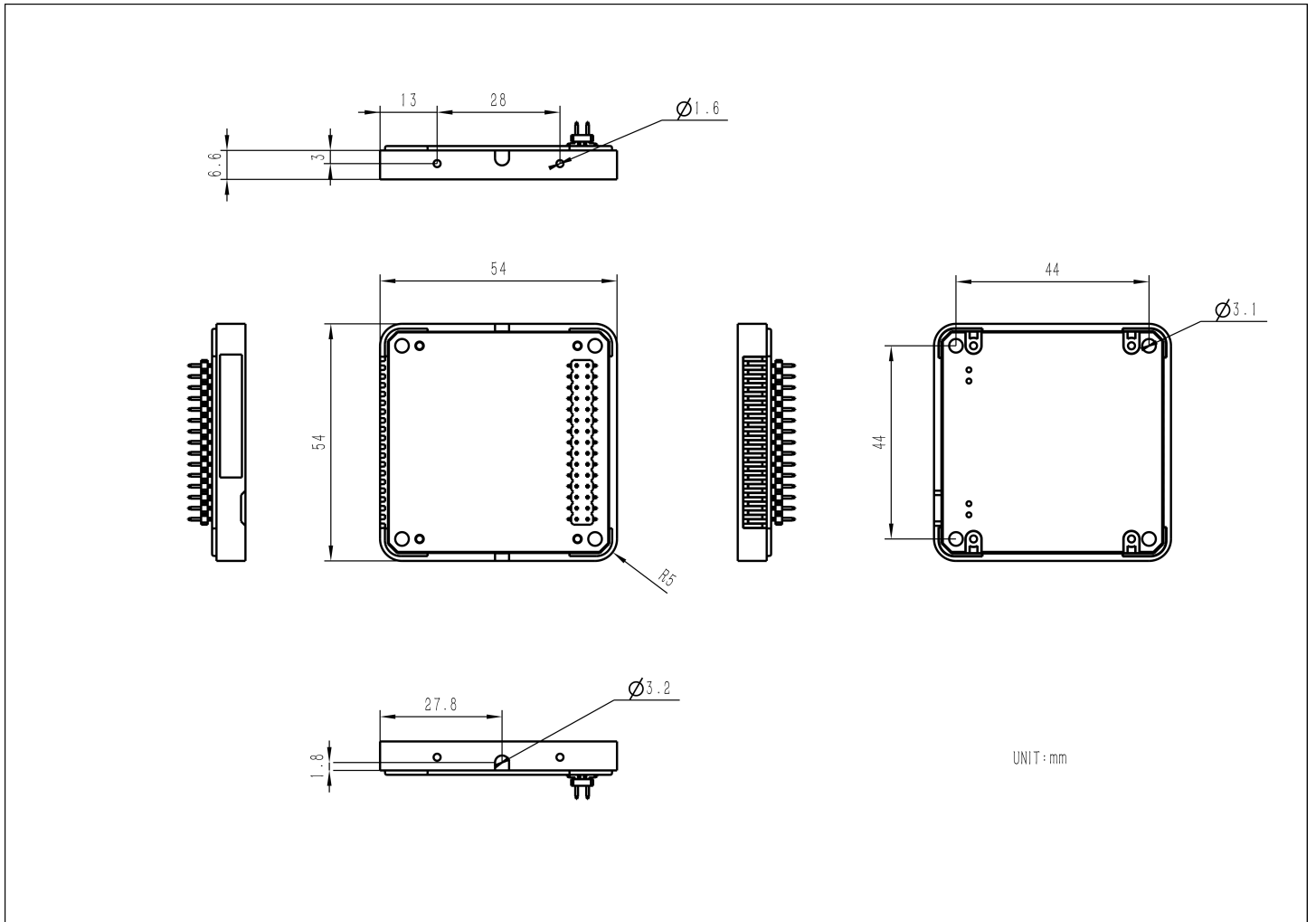
- 1 x Module Proto

## Specifications

Specification	Parameter
Net weight	12g
Gross weight	22g
Product size	54.2 x 54.2 x 12.8mm
Package size	132.0 x 95.0 x 15.0mm

## Model Size

[Module Proto Model Size PDF](#)



## PCB

- [Module Proto PcbDoc](#)

## Structure

- [Module Proto Structure Files](#)

