

Unit Mini Proto

SKU:U064



2.54mm



PortB
INTERFACE



Description

Unit Mini Proto is a mini universal board Unit. You can freely design circuits on the board and connect it to M5Core through the HY2.0-4P port. If you plan to add simple circuits to your design and provide them with a reliable protective case, the Proto Unit is a good choice.

For different HY2.0-4P ports, you can connect different pins from the ESP32 for circuit connections.

- PORT.A: G21, G22
- PORT.B: G36, G26
- PORT.C: G16, G17

Features

- HY2.0-4P interface
- 2 x LEGO compatible holes

Includes

- o 1 x Unit Mini Proto
- o 1 x HY2.0-4P Grove Cable (20cm)

Applications

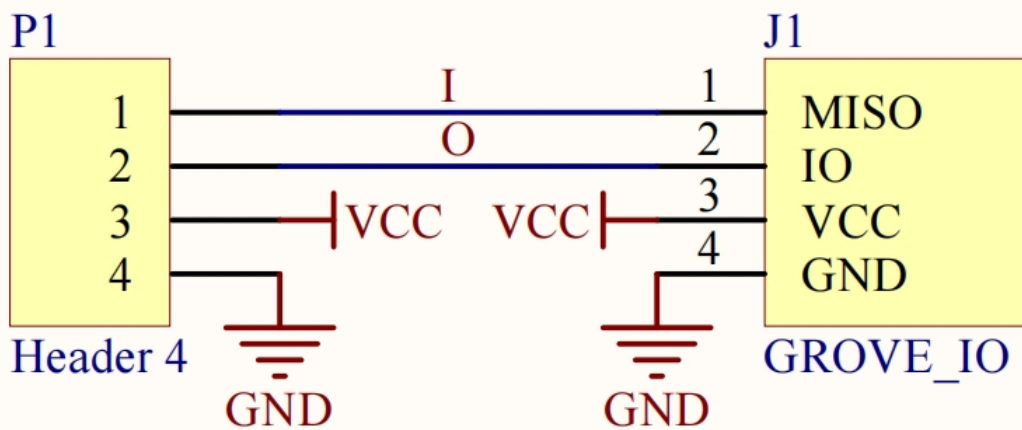
- o Prototyping

Specifications

Specification	Parameter
Product Size	32.0 x 24.0 x 8.0mm
Product Weight	3.0g
Package Size	136.0 x 92.0 x 10.0mm
Gross Weight	15.0g

Schematics

- o [Unit Mini Proto Schematics PDF](#)



Model Size

Unit Mini Proto Model Size PDF

