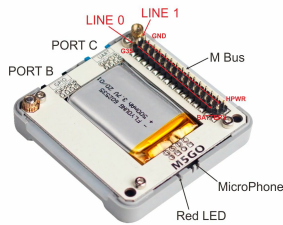
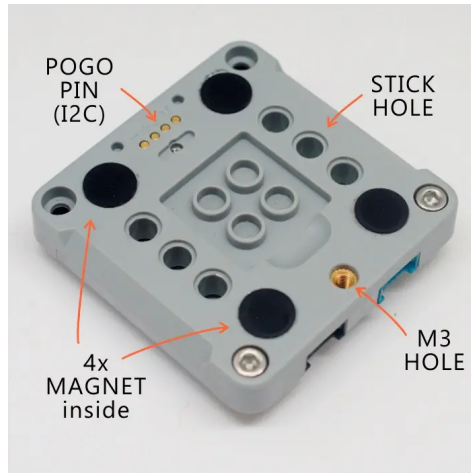
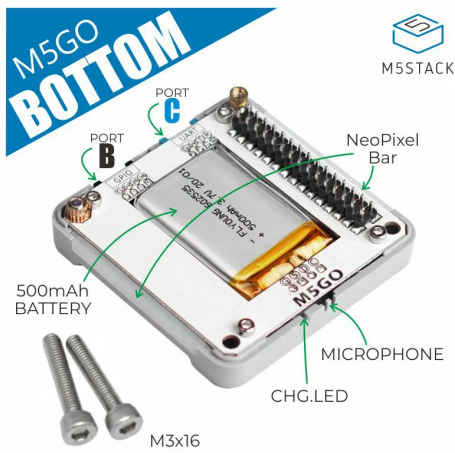


Base M5GO Bottom

SKU:A014



Description

Base M5GO Bottom is an enhanced universal base for Core series, compatible with all Core models. Compared to the basic [Core Bottom](#), the enhanced base comes with a larger capacity lithium battery (500 mAh), integrates a microphone, LED light strip, infrared LED, and expands with two HY2.0-4P ports (PORT.B/PORT.C). The backside is LEGO-compatible and features pogo pins for connecting supported I2C devices (such as BALA) or a magnetic charging base.

Features

- Compatible with Core
- Integrated Mic / LED light strip / HY2.0-4P ports
- LEGO bricks compatible
- Supports configurable magnetic charging base
- Built-in 10 RGB LEDs in the base

Includes

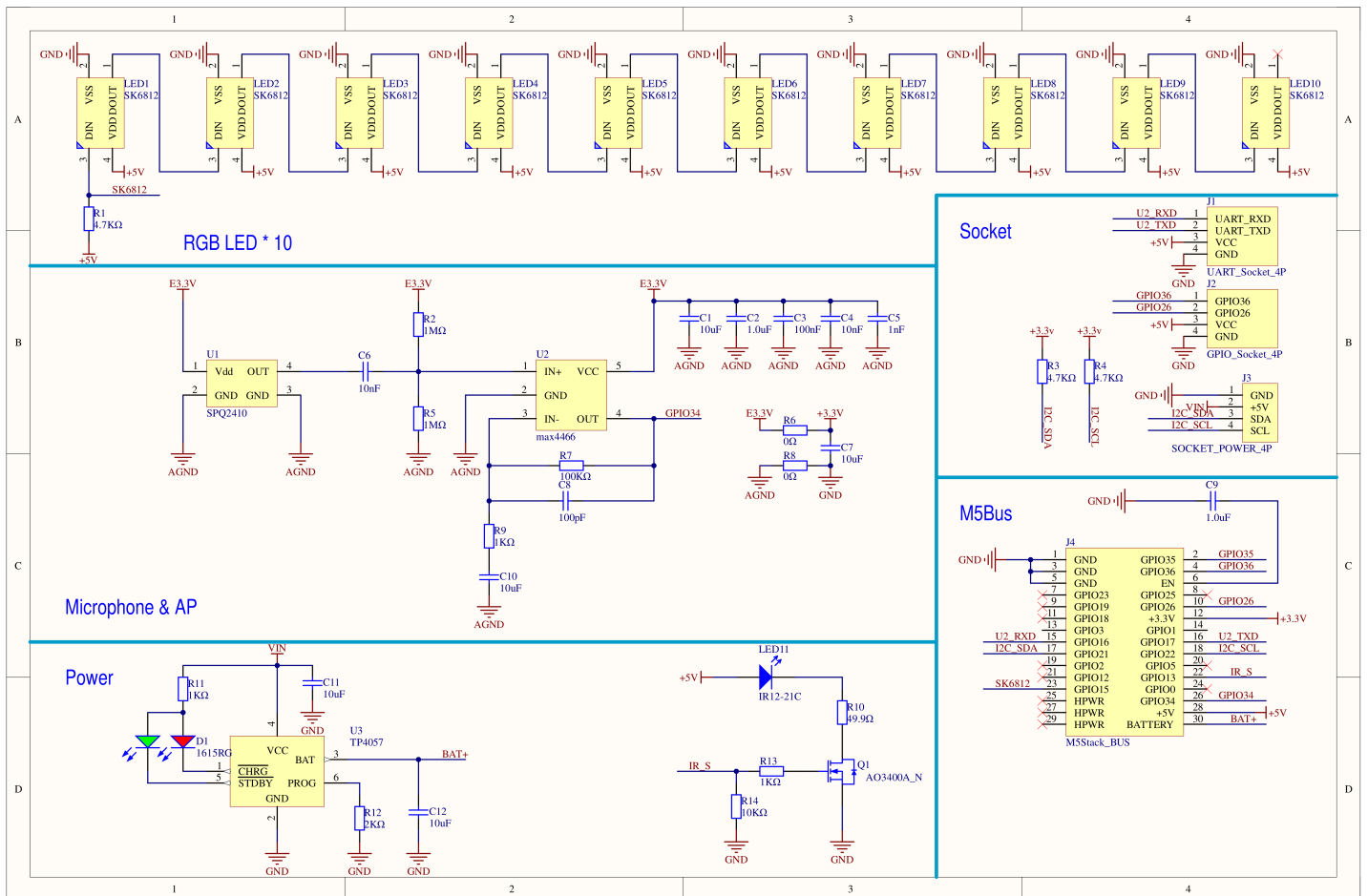
- 1 x Base M5GO Bottom
- 2 x M3x16 Screws

Specifications

Specification	Parameter
Product Size	54.0 x 54.0 x 15.0mm
Product Weight	32.7g
Package Size	132 x 95 x 16mm
Gross Weight	50.6g

Schematics

[Base M5GO Bottom Schematics PDF](#)



PinMap

Base M5GO Bottom

Basic	G13	G15	G34	G22	G21
Base M5GO Bottom	IR TX	LED Pin	MIC	SCL	SDA

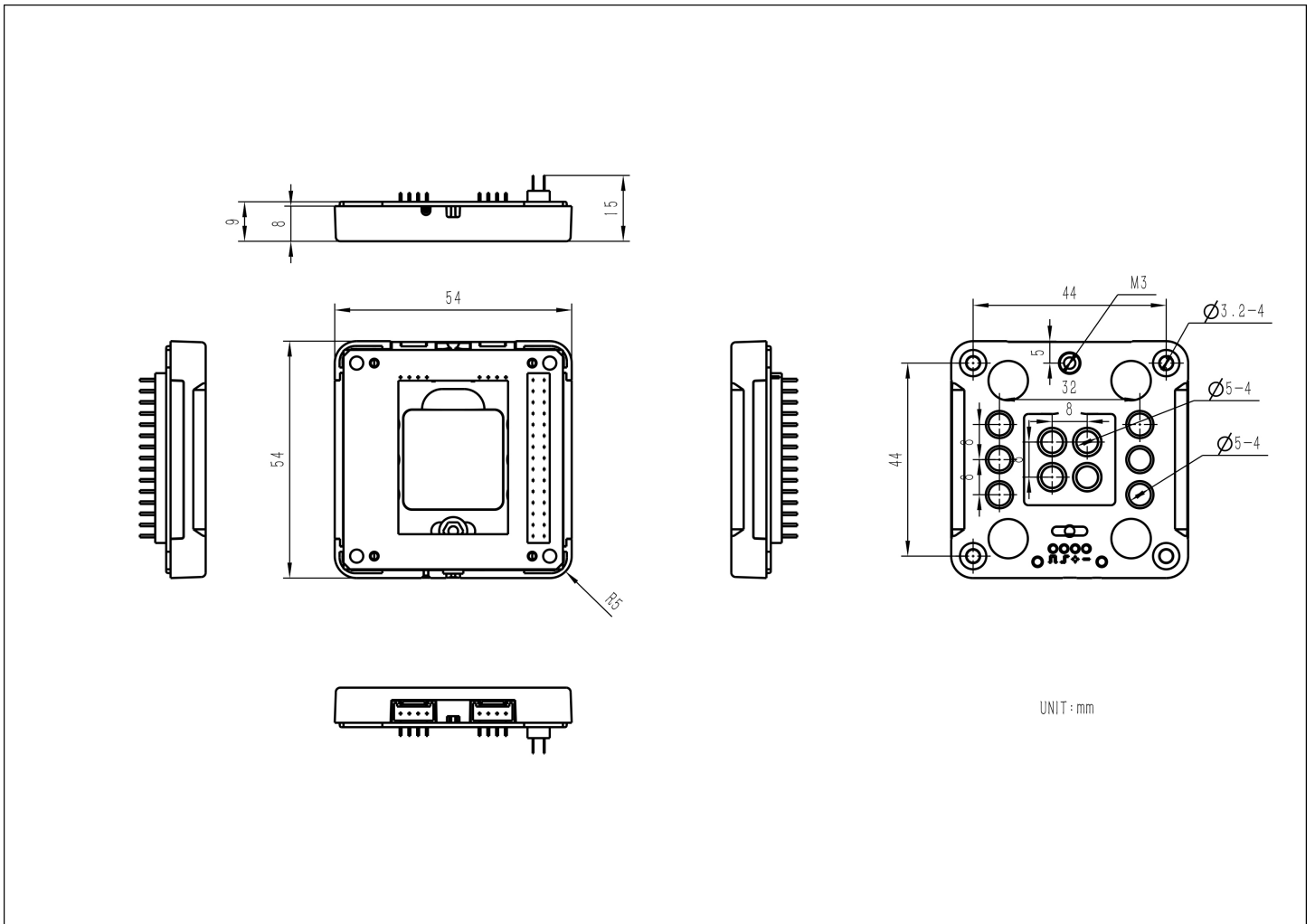
HY2.0-4P

HY2.0-4P	Black	Red	Yellow	White
PORT.B	GND	5V	G26	G36
PORT.C	GND	5V	G17	G16

M5-Bus

PIN	LEFT	RIGHT	PIN
GND	1	2	NC
GND	3	4	PORT.B
GND	5	6	NC
NC	7	8	NC
NC	9	10	PORT.B
NC	11	12	NC
NC	13	14	NC
UART_RX	15	16	UART_TX
POGO_PIN_SDA	17	18	POGO_PIN_SCL
NC	19	20	NC
NC	21	22	IR_TX
RGB LED	23	24	NC
NC	25	26	MIC
NC	27	28	5V
NC	29	30	BAT

Model Size



Product Comparison

Product Compare



Base M5GO Bottom



Base M5GO Bottom2



Base M5GO Bottom3

	Base M5GO Bottom	Base M5GO Bottom2	Base M5GO Bottom3
Core	Basic (Core)	Core2	CoreS3
RGB	10*SK6812	10*SK6812	10*WS2812
IMU	/	MPU6886	/
IR	IR	/	IR
BATTERY	500mAh	500mAh	500mAh
MIC	SPQ2410	SPM1423	/