

# Unit Key

SKU:U144



## Description

Unit Key is a **single-key input unit with built-in RGB light**. It uses a tactile mechanical **blue switch** with strong tactile feedback, and the keycap is replaceable, providing excellent mechanical feel and rebound. It features a built-in **SK6812 programmable full-color RGB LED** that supports **256 levels of brightness display**. The unit exposes two digital IO interfaces for key state acquisition and light control. It is suitable for DIY projects requiring button input interaction.

## Features

---

- Blue switch (strong tactile feedback)
- SK6812 programmable full-color RGB LED

## Includes

---

- 1 x Unit Key
- 1 x HY2.0-4P Grove Cable (20cm)

## Applications

---

- Human-machine interaction design

## Specifications

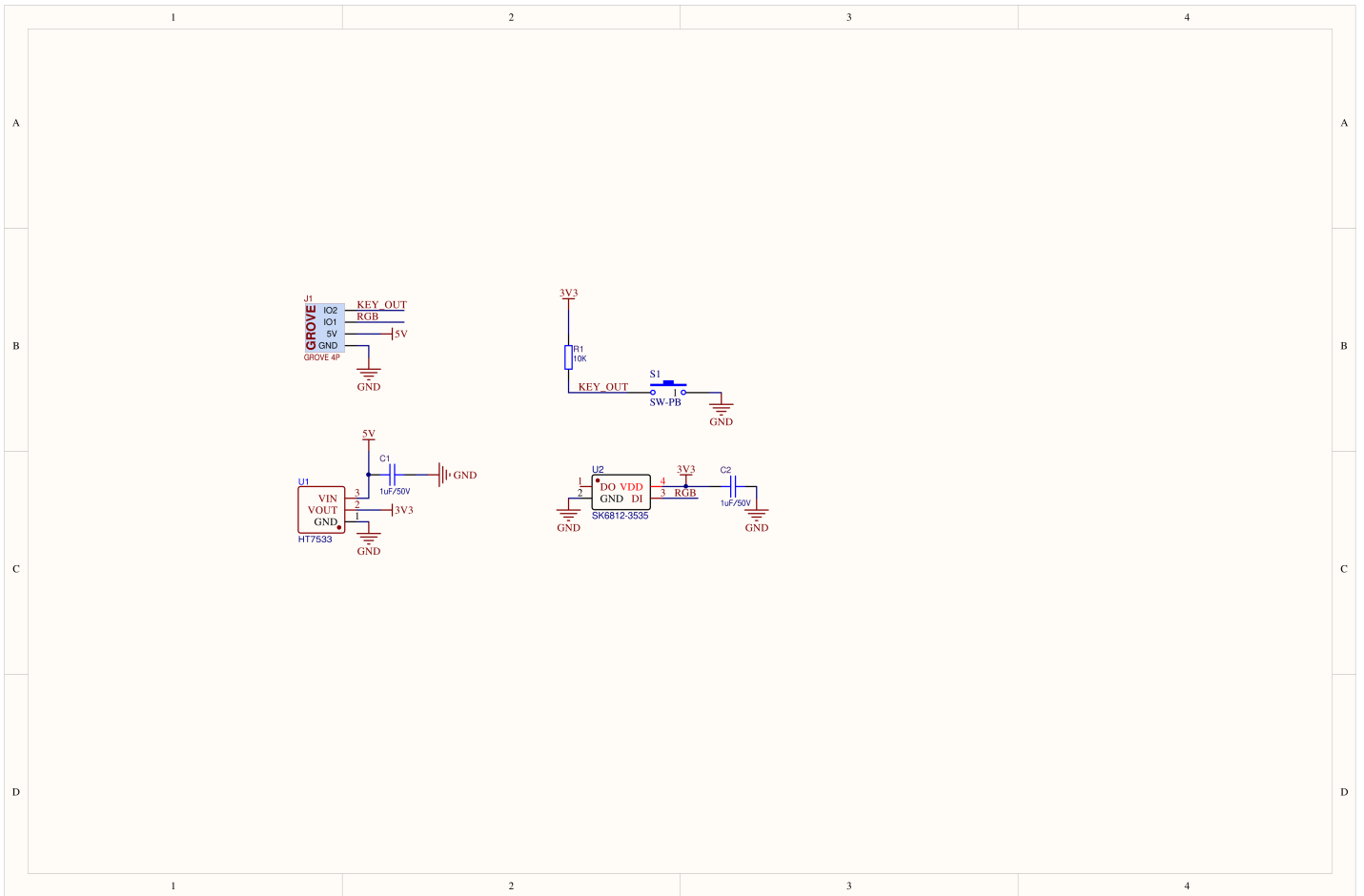
---

Specification	Parameter
Supply Voltage	DC 5V
Button Output Logic Signal	DC 3.3V
Standby Current	DC 5V@2mA
Operating Current	DC 5V@13mA
Product Size	40.0 x 24.0 x 22.6mm
Product Weight	7.6g
Package Size	138.0 x 93.0 x 18.0mm
Gross Weight	13.1g

## Schematics

---

- [Unit Key Schematics PDF](#)

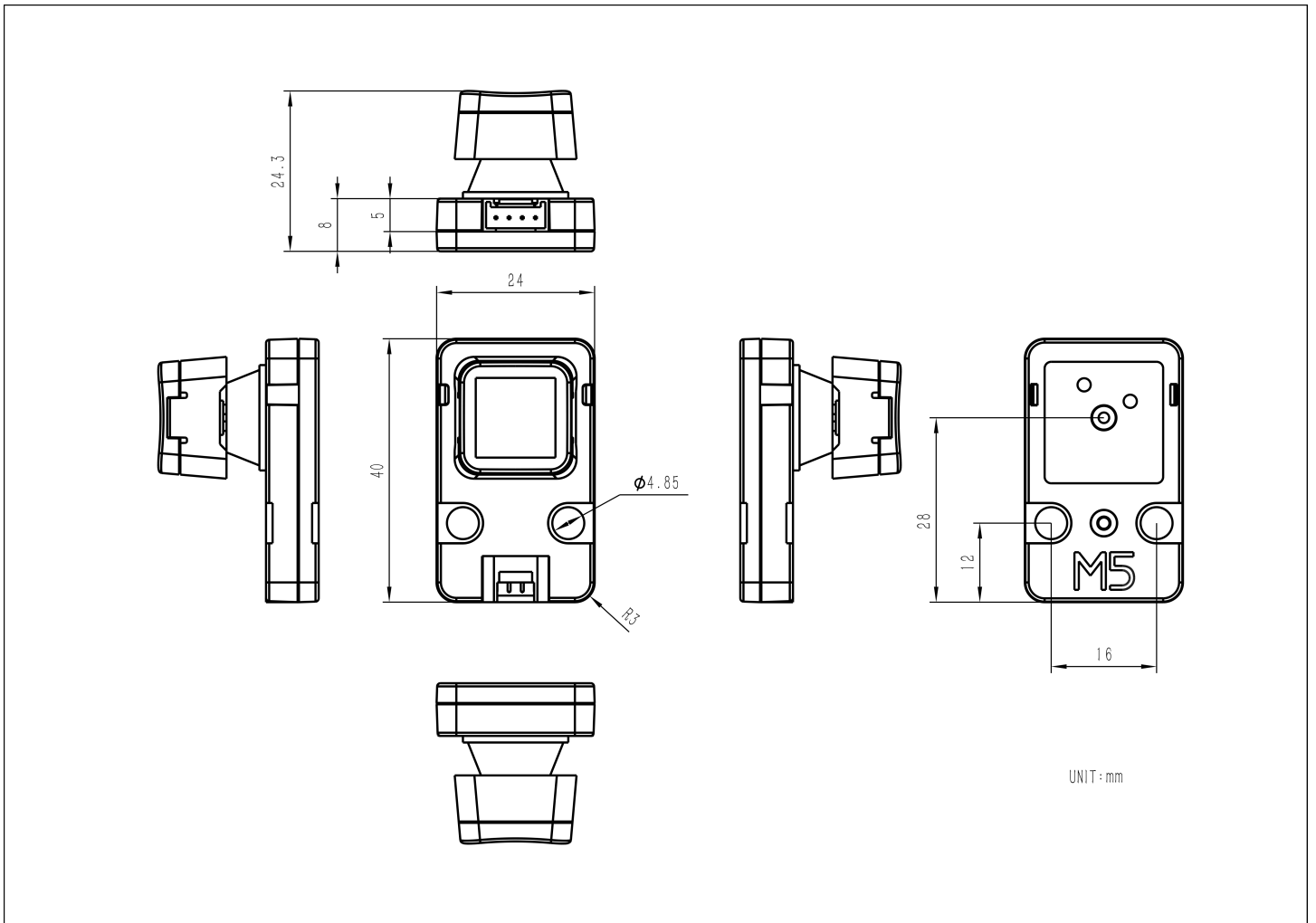


## PinMap

## Unit Key

HY2.0-4P	Black	Red	Yellow	White
PORT.B	GND	5V	LED Signal	DIN

## Model Size



## Softwares

### Arduino

- [Unit Key Test Program](#)
- [FastLED Arduino Driver Library](#)

### UiFlow1

- [Unit Key UiFlow1 Docs](#)

### UiFlow2

- [Unit Key UiFlow2 Docs](#)