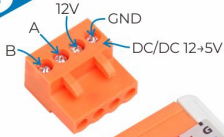


Hat RS485

SKU:U067

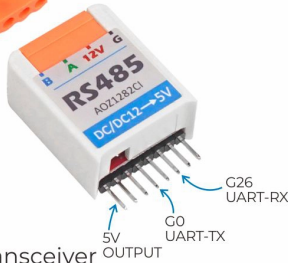
HAT
RS485



RS485

AOZ1282CI

Automatic transceiver



Description

Hat RS485 is an RS485 converter compatible with M5StickC. It integrates SP485EEN internally, mainly consisting of a 485 automatic transceiver circuit and a DC-DC buck circuit (which can step down the input voltage to 5V). RS485 is a standard used to define the electrical characteristics of drivers and receivers for serial communication systems, widely used in industrial fields, supporting multi-point systems. This product is used to convert TTL standard to RS485 standard. If the external serial device is RS485 standard, communication between devices implementing TTL to RS485 protocol conversion can be achieved through this module.

Features

- Built-in SP485EEN
- Built-in automatic transceiver circuit
- Built-in DC-DC buck circuit
- AOZ1282CI
- Input Voltage: DC 12V
- Baud Rate: 115200
- Development Platform: Arduino, UIFlow (Blockly, Python)

Includes

- o 1 x Hat RS485
- o 1 x HT3.96-4P Terminal
- o 1 x I/O Sticker
- o 1 x Double-Sided Tape

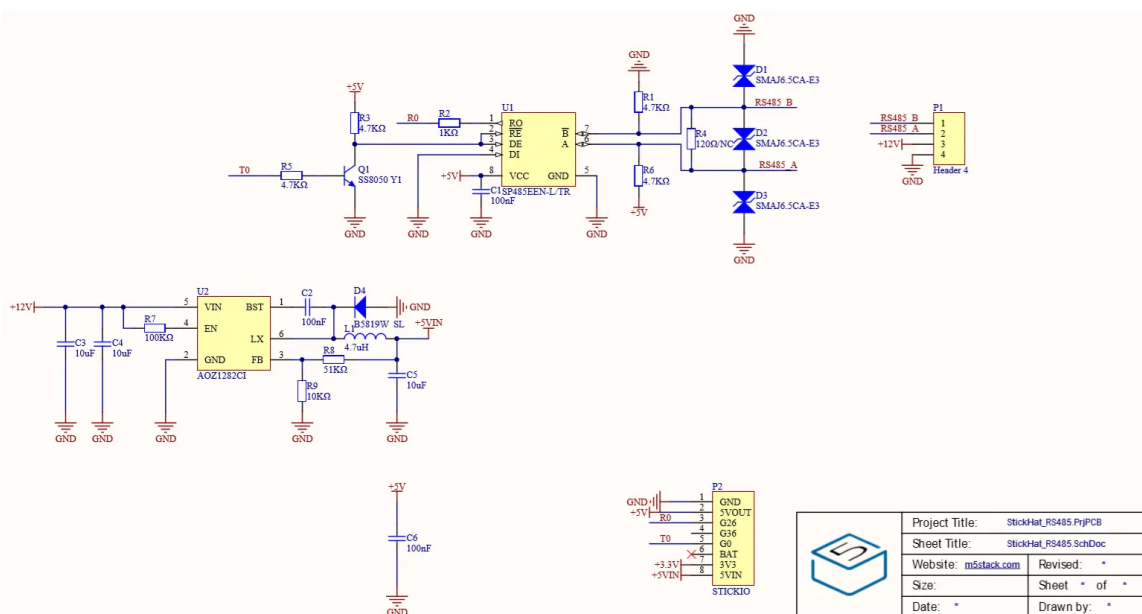
Applications

- o RS485 multi-point systems
- o Serial communication in industrial fields

Specifications

Specification	Parameter
Net Weight	7g
Gross Weight	17g
Product Size	34.9 x 24.0 x 13.7mm
Package Size	40 x 42 x 30mm

Schematics

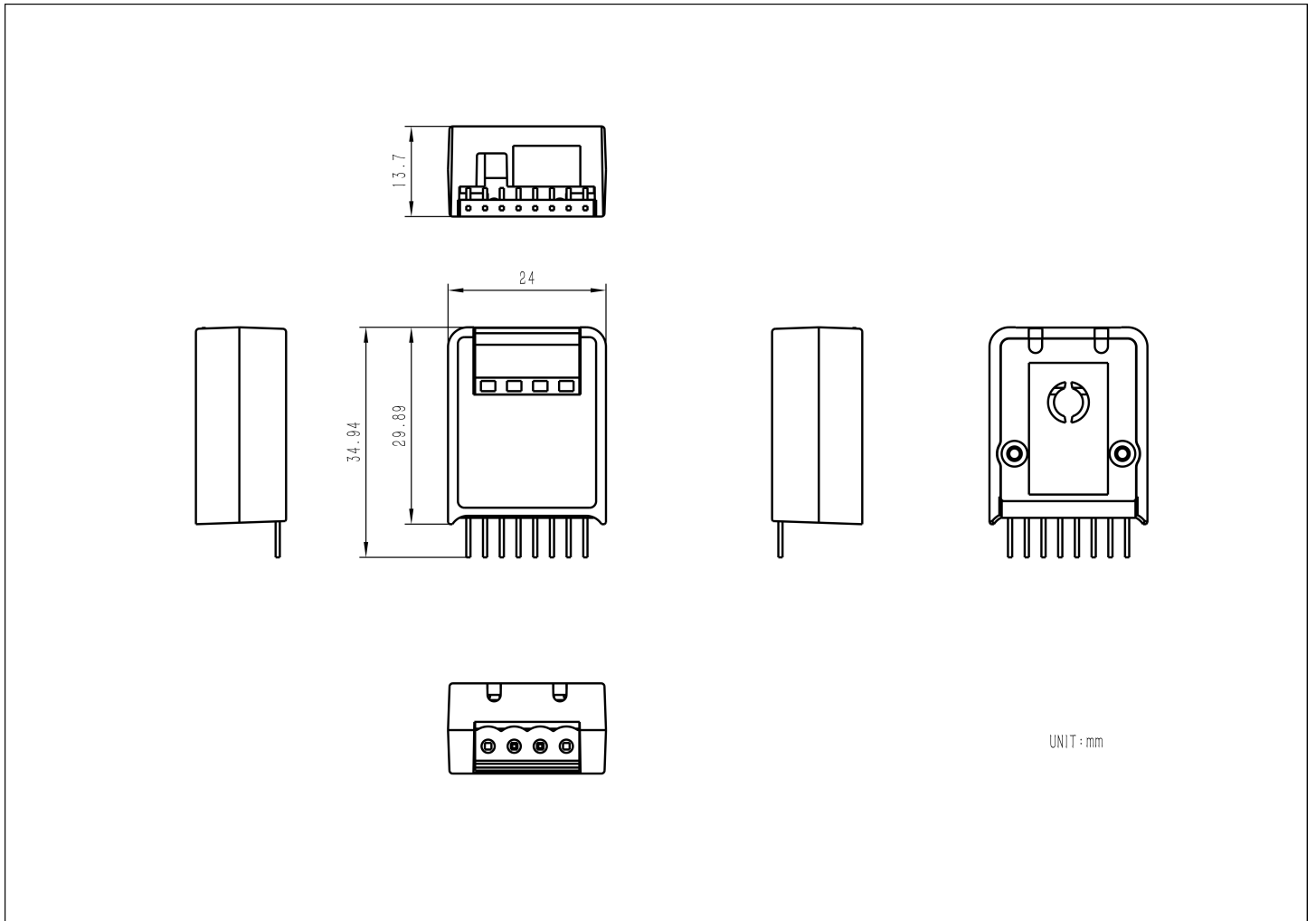


PinMap

M5StickC	G0	G26	5V	GND
Hat RS485	TX	RX	5V	GND

Model Size

- [Hat RS485 Model Size PDF](#)



Datasheets

- [SP485EEN](#)

Softwares

Arduino

- [Hat RS485 Example](#)

UiFlow1

- [Hat RS485 UiFlow1 Docs](#)

Easyloader

Easyloader	Download Link	Note
Hat RS485 Easyloader	download	/

Video

[RS485_HAT.mp4](#)