

Faces Encoder

SKU:A006



Description

Faces Encoder is a knob control panel compatible with the FACE kit. Designed specifically for rotary encoder control, it integrates a Mega328 microprocessor internally and features a ring of 12 LEDs around the knob. The serial communication protocol between M5Core and Faces Encoder is I2C (address: 0x5E).

Features

- RGB LED display
- I2C communication
- Simple API interface
- Built-in Mega328
- Encoder detection

Includes

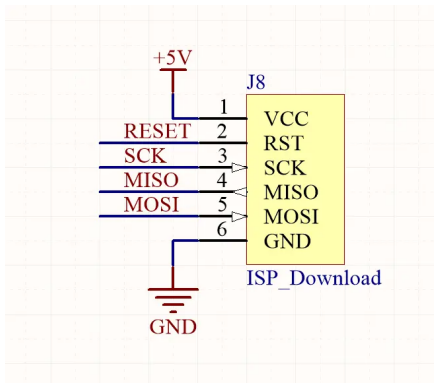
- 1 x Faces Encoder

Specifications

Specification	Parameter
RGB LED	x12
Interface	I2C @0x5E
Material	Plastic (PC)
Product Size	58.2 x 54.2 x 28.0mm
Product Weight	27.0g
Package Size	95.0 x 65.0 x 25.0mm
Gross Weight	47.0g

PinMap

Mega328 ISP Download Interface Pin Definition



Faces Pannel Bus

PIN	LEFT	RIGHT	PIN
	1	2	
	3	4	
	5	6	
	7	8	
	9	10	
	11	12	
	13	14	
	15	16	SDA
	17	18	SCL
	19	20	
	21	22	

Softwares

Arduino

- [Faces Encoder Example with M5Core](#)

UiFlow1

- [Faces Encoder UiFlow1 Docs](#)

Built-in Firmware

- [Faces Encoder Internal Firmware](#)

Easyloader

Easyloader	Download Link	Notes
Faces Encoder Example Easyloader with M5Core	download	/

Video

[FACES_ENCODER.mp4](#)